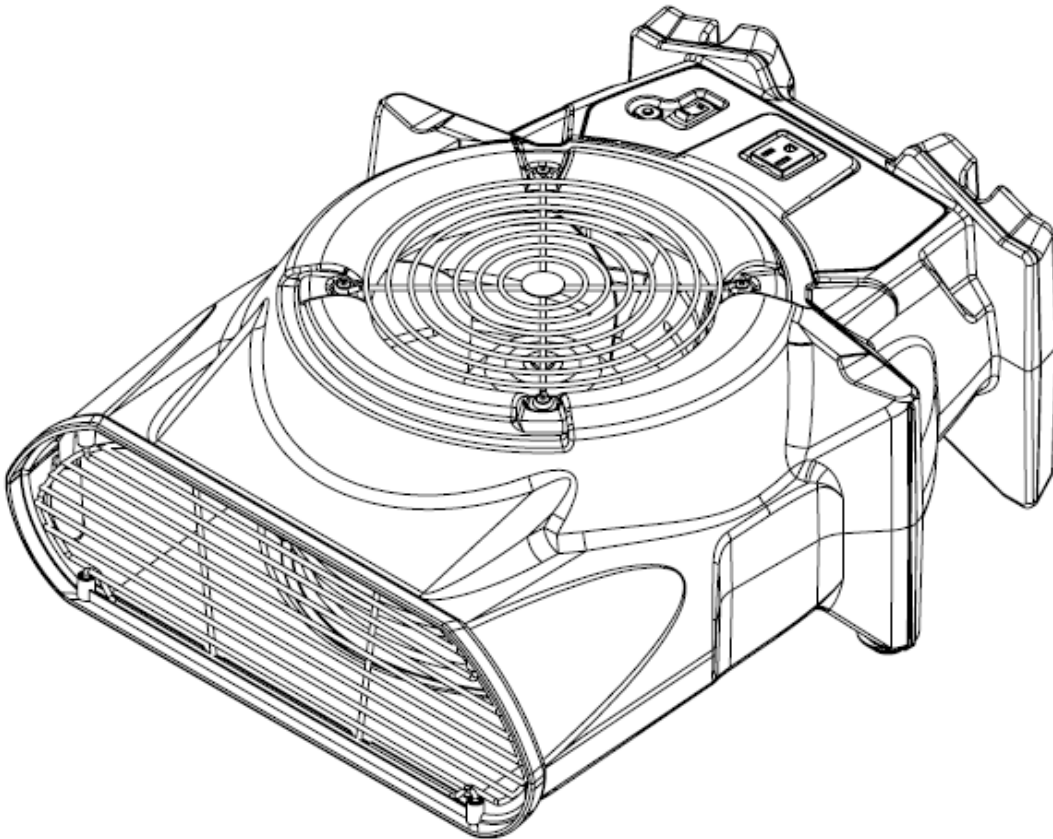


CFM 1000-115V

PARTS LIST



PART NO.	QTY	DESCRIPTION
AM1010-01	1	GRILL – INLET PC GL BLK
AM1010-02	1	OUTLET – GRILL PC GL BLK
AM1020-02	1	POWER CORD ASSY – 14/3 SJTW 5-15P 15FT
30101	1	RECEPTACLE – SNAP IN 5-15R
30107	1	CIRCUIT BREAKER – 12A THERMAL SNAP IN
30108	1	SWITCH – ROCKER SPST BLK

CFM 1000 - 115V 60HZ WIRING DIAGRAM

