

MANUAL FOR
INSTALLATION, USE AND MAINTENANCE
OF
GALVANIZED STEEL
DYNA-GLIDE™
CLIMBING PROTECTION
SYSTEMS
CENTER-MOUNTED TO VERTICAL FIXED LADDERS

IMPORTANT !

PLEASE READ THESE INSTRUCTIONS CAREFULLY AND COMPLETELY BEFORE USING THIS PRODUCT. WHEN USED AS INSTRUCTED THE GLIDELoc RAIL SYSTEM WILL REDUCE THE USER'S RISK OF INJURY FROM POTENTIALLY HAZARDOUS FALLS. USE OF THIS PRODUCT WITHOUT READING AND FOLLOWING THE INSTRUCTIONS MAY RESULT IN SERIOUS OR FATAL INJURY.

IT IS THE RESPONSIBILITY OF THE USER AND THE USER'S MANAGEMENT TO BE CERTAIN THE USER IS THOROUGHLY TRAINED IN AND COMPLIES WITH THE PROPER INSTALLATION, OPERATION AND LIMITATIONS OF THIS PRODUCT AS WELL AS CAREFUL INSPECTION, MAINTENANCE AND STORAGE OF THE PRODUCT BEFORE AND AFTER USE. TRAINING AND INSTRUCTION REVIEW SHOULD BE REPEATED AT REGULAR INTERVALS BY THE USER AND THE USER'S MANAGEMENT. THE BUYERS AND USERS OF THIS PRODUCT ASSUME ALL RESPONSIBILITIES FOR SAFETY AND USE NOT IN ACCORDANCE WITH THESE INSTRUCTIONS. IT MAY BE A VIOLATION OF FEDERAL, STATE OR LOCAL LAWS TO USE THIS PRODUCT IN A MANNER INCONSISTENT WITH ITS LABELING AND INSTRUCTION.

TABLE OF CONTENTS

<u>Section</u>	<u>Page</u>
1.0	DESCRIPTION OF DYNA-GLIDE™ SYSTEMS 4
1.1	Rail Sections. 4
1.2	Rail Connector Assemblies. 5
1.3	Mounting Assemblies. 7
1.3.1	Rung Mounting Assemblies. 7
1.3.2	Angle Corner Mounting Assembly. 9
1.3.3	Angle Edge Mounting Assembly. 9
1.3.4	Flat Mounting Assembly. 9
1.3.5	Column Mounting Assembly. 9
1.4	Dyna-Glide Fall Arrester. 10
1.5	End Stop Assemblies. 10
1.6	Body Supports. 11
1.7	Accessories. 11
1.7.1	Folding Footrest. 11
1.7.2	Ice Scraper. 12
1.7.3	Turntable Assembly. 12
1.7.4	Roundabout Assembly. 13
2.0	PLANNING THE INSTALLATION. 13
3.0	MAKING THE INSTALLATION. 13
3.1	Equipment Required. 13
3.2	Personnel Required. 13
3.3	Installers' Personal Safety. 13
3.4	Preparation of Materials at Installation Site. 14
3.5	Assembly Sequence. 15
3.6	Torque Range for Tightening. 15
3.7	Coupling Rails and Mounting. 15
3.8	End Stop Installation. 17
3.9	Folding Footrest Installation. 17
3.10	Final Inspection of Rail Assembly. 17
4.0	USE OF DYNA-GLIDE SYSTEMS. 17
4.1	BodySupport. 17
4.2	Carabiner and Fall Arrester. 17
5.0	INSPECTION AND MAINTENANCE. 18
5.1	Inspection Prior to Use. 18
5.2	Rail Inspection Checklist. 18
5.3	Inspection of Rail Connectors and Mounting Assemblies. 19
5.4	Inspection of End Stops. 19
5.5	Inspection of Fall Arrester. 19
5.6	Inspection of Folding Footrest. 20
5.7	Inspection of Body Support and Carabiner. 20
6.0	PARTS LIST FOR ASSEMBLIES. 20

TABLE OF FIGURES

Figure		Page
1	Notched Straight Rail Section	5
2	Rail Connector Assembly	6
3	Rail Connector Plate Bolt - Rung Interference	6
3A	Special Rail Connector Assembly	7
4	Rung Mounting Assembly	8
5	Rung Mounting Assembly - Standoff	8
6	Base Support Assembly - Standoff	9
7	Dyna-Glide™ Fall Arrester	10
8	End Stop Assemblies	10 & 11
9	Folding Footrest Assembly	12
10	Ice Scraper	12
11	Use Of Personal Fall Arrest System	14
12	Improper Alignment And Abutment Of Adjacent Rail Sections	16
13	Proper Alignment And Abutment Of Adjacent Rail Sections	16
14	Carabiner	18

1.0 DESCRIPTION OF THE DYNA-GLIDE™ CLIMBING PROTECTION SYSTEMS

Rose Dyna-Glide™ Climbing Protection Systems are used to prevent and/or arrest falls from heights and facilitate the climber's performance of work. The systems are used for mounting to already-installed ladders, to corners of lattice towers, and to other suitably strong structures which must be climbed.

This manual deals only with systems, which are center—mounted to the rungs of vertical fixed ladders. This is the most prevalent type of system. However, by substitution of different mounting assemblies, Dyna-Glide systems may be attached to almost any structure that is permissible to climb. Systems may also be constructed to continuously protect the climber when traveling horizontally, and around curves, corners and obstacles in the climb path.

A properly installed, used and maintained Dyna-Glide system will help to stabilize a climber at a work position, will permit restricted travel of the climber along the rail, and will automatically stop an accidental fall within inches. The Dyna-Glide system may be used by more than one person at a time.

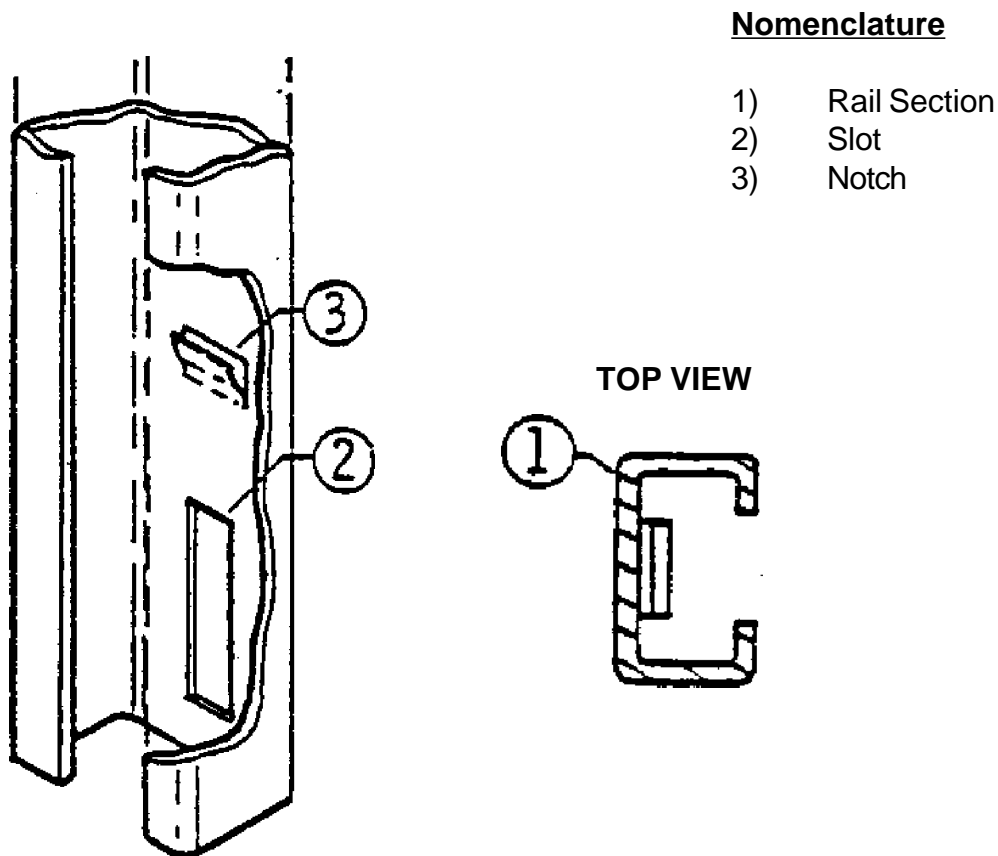
A complete system consists of:

- a) standard joinable straight rail sections of length 7 feet 4—3/16 inches (2240mm);
- b) if needed, custom (built to special specification) curved rail sections of the concave, convex or compound type;
- c) Standard rail connector assemblies used to couple rail sections together;
- d) Standard mounting assemblies for attachment of rail sections to fixed ladders and other structures;
- e) If needed, custom (built to special specification) mounting assemblies for attachment of rail sections to structural members of unusual configuration;
- f) A Dyna-Glide fall arrester which engages the rail sections, permits the climber to work position, permits travel along the rail, and stops against a rail notch in case the climber falls;
- g) End stops to prevent the fall arrester from slipping out of the bottom or top end of a string of rail sections;
- h) A body support of either the full body harness or body belt type; and
- i) If needed, a variety of accessories which enhance mobility and provide continuous protection, convenience and comfort.

1.1 Rail Sections.

The rail sections are made of either hot galvanized steel or stainless steel. They have a C-profile cross section with rectangular cut outs (slots) at 5.51 inch (140mm) intervals for coupling adjacent rail sections together and for connection of the rail sections to mounting assemblies. Notches are located at 5.51 inch (140mm) intervals to serve as stops for the fall arrester. The standard length of a rail section is 7 feet 4-3/16 inches (2240mm) See Figure 1.

FIGURE 1. NOTCHED STRAIGHT RAIL SECTION (P/N 506270. GALV.)



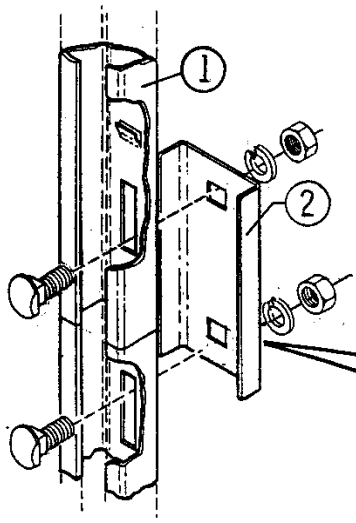
Rail sections may be curved to go around objects in the climb path or to bridge between two straight runs of rail that form an angle with each other. Curved rail sections may have concave, convex or compound curvature.

1.2 Rail Connector Assemblies.

Rail connectors are used to fasten the rail sections together. These units may be made of stainless steel or hot galvanized steel. One rail connector assembly is required to fasten together one pair of adjacent rail sections. The assembly consists of a connector plate and two each bolts, nuts, and lock washers. See Figure 2. During the installation of the rail system it is critically important that the butt joint between adjacent rail sections is very tight and secured by the rail connector assembly. In case an interference occurs between the connector plate bolt and a ladder rung (as shown in Figure 3, detail 1), then a special rail connector assembly (P/N 506329) is used. This special assembly has a longer connector plate (P/N 621496) which allows shifting the bolt locations to eliminate the interference. See Figure 3, detail 2 and Figure 3A.

FIGURE 2. RAIL CONNECTOR ASSEMBLY (P/N 506271. GALV.)

DETAIL 1
INSTALLATION DIAGRAM

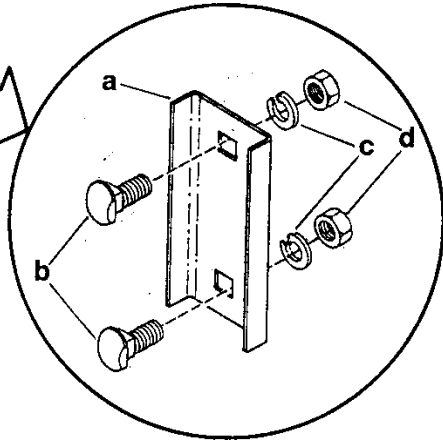


- ITEM-1 RAIL SECTION (P/N 506270)
- ITEM-2 RAIL CONNECTOR ASSEMBLY (P/N 506271)

DETAIL 2 -ITEM 2
RAIL CONNECTOR ASSEMBLY

PARTS LIST

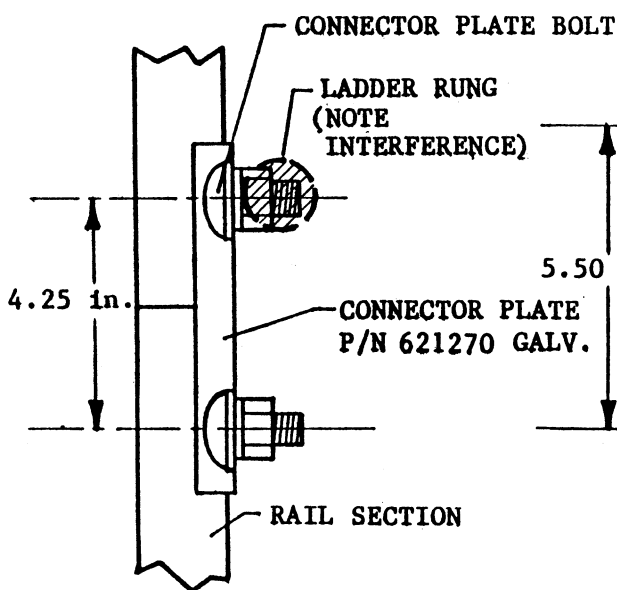
- a) Connector Plate (P/N 621270)
- b) Bolts (P/N 621267)
- c) Lock Washers (P/N 621268)
- d) Nuts (P/N 621266)



Note: See Section 6.0 for complete parts list for all assemblies.

FIGURE 3. RAIL CONNECTOR PLATE BOLT - RUNG INTERFERENCE

DETAIL 1
RAIL CONNECTOR ASSEMBLY



DETAIL 2
SPECIAL RAIL CONNECTOR ASSEMBLY

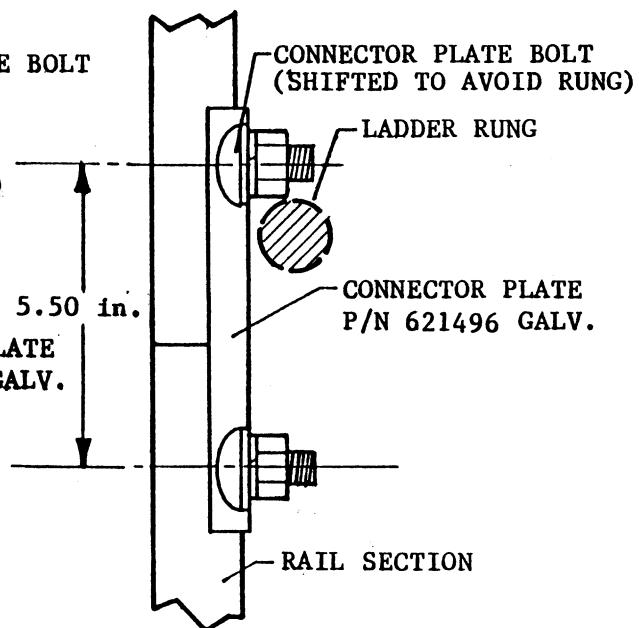
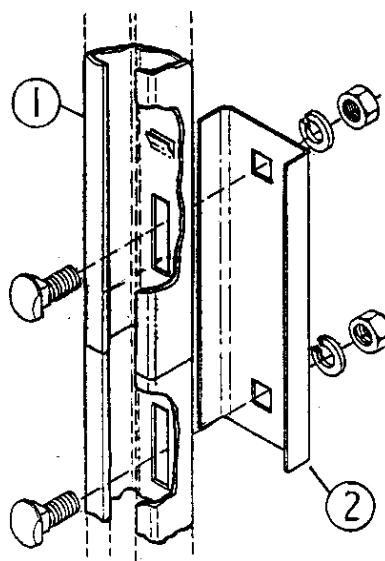


FIGURE 3A. SPECIAL RAIL CONNECTOR ASSEMBLY (P/N 506329, GALV.)

DETAIL 1
INSTALLATION DIAGRAM

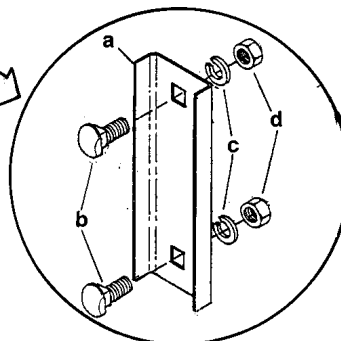


- ITEM-1 RAIL SECTION (P/N 506270)
- ITEM-2 RAIL CONNECTOR ASSEMBLY (P/N 506329)

DETAIL 2 - ITEM 2
SPECIAL RAIL CONNECTOR ASSEMBLY
(P/N 506329, GALV.)

PARTS LIST

- a) Special Connector Plate (P/N 621496)
- b) Bolts (P/N 621267)
- c) Lock Washers (P/N 621268)
- d) Nuts (P/N 621266)



1.3 Mounting Assemblies.

A variety of standard mounting assemblies are available to attach rail sections to the structure which is to be climbed. In general, all mounting assemblies have a bracket that is shaped and sized to mate with certain common structural members. The mounting interface with the rail section is always a standard bolt connection. However, structural members can take on a variety of shapes, sizes and orientations. Therefore, a variety of mounting brackets is necessary. Custom mounting assemblies may be ordered built to special specification. At least two mounting assemblies are always required for each rail section and these must be spaced apart by no more that 66.14 inches (1680mm) Although this manual deals only with rung mounting of rails to fixed ladders, several types of mounting assemblies are described below in order for the user to plan for future installations.

1.3.1 Rung Mounting Assemblies.

Fixed ladders are the most common of all structures to which rail systems are mounted. Fixed ladders are rigidly anchored to other structures. The ladder normally has rungs with diameter up to 1 1/4 inches (32mm) and width between side rails of 12-18 inches (305mm - 457mm)

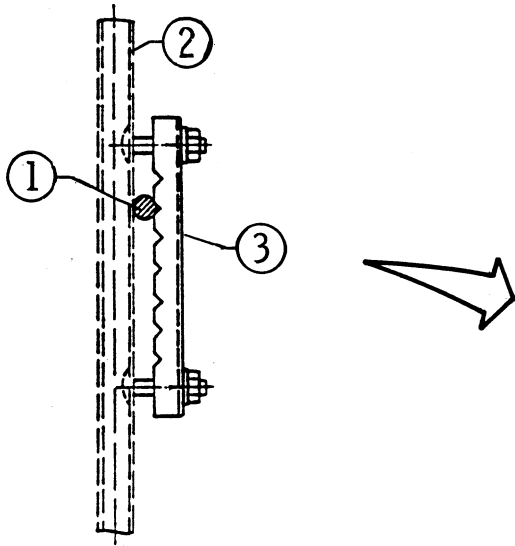
To comply with USA Federal OSHA requirements, rungs must be a minimum of 16 inches wide. The Dyna-Glide rail sections are normally mounted in the center of the rungs - provided this leaves enough space on each side to easily place the foot on the rungs even when winter work boots are being worn. The Dyna-Glide rail is 1.96 inches (50mm) wide. Assuming a winter boot width to be 5 inches, the rung width must be at least 14 inches.

Rungs are usually of circular cross-section, although some are angle, rectangular bar or channel. The standard rung mounting assembly is suitable for rungs of circular cross-section and right angle. The main part of the standard assembly is an alligator clamp (rung mounting assembly) which is bolted to the rail with two each bolts, nuts and lock washers as shown in Figure 4.

For instances in which the ladder rung is less than 14 inches in width, the standoff rung mounting assembly can be used to improve climbing ease. This assembly provides means for attachment of the rail section to the ladder rungs while spacing the rail section 2.25 inches (57.2mm), forward of the rungs thereby providing a wider space for the foot. See Figure 5.

FIGURE 4. RUNG MOUNTING ASSEMBLY (P/N 506273, GALV.)

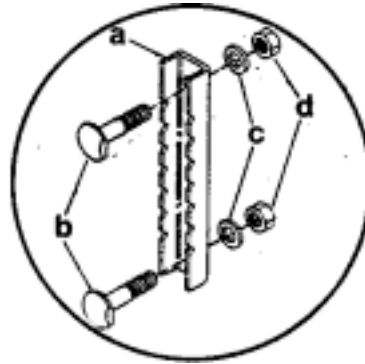
DETAIL 1
INSTALLATION DIAGRAM



DETAIL 2 - ITEM 3
RUNG MOUNTING ASSEMBLY

PARTS LIST

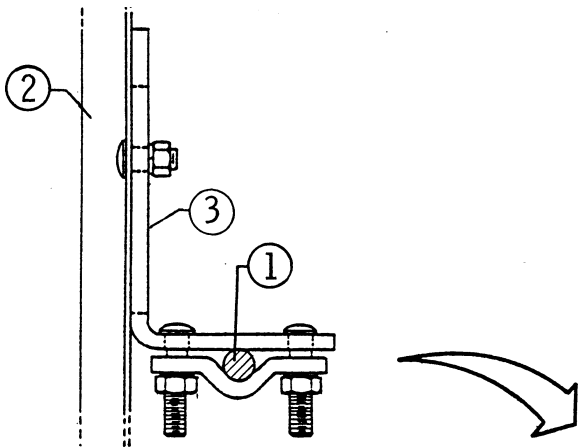
- a) Rung Clamp (P/N 621271)
- b) Bolts (P/N 621267)
- c) Lock Washers (P/N 621268)
- d) Nuts (P/N 621266)



- ITEM-1 LADDER RUNG
- ITEM-2 RAIL SECTION (P/N 506270)
- ITEM-3 RUNG MOUNTING ASSEMBLY (P/N 506273)

FIGURE 5. RUNG MOUNTING ASSEMBLY - STANDOFF (P/N 506325, GALV.)

DETAIL 1 - INSTALLATION DIAGRAM

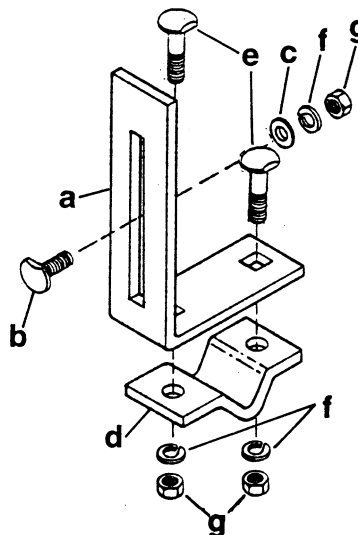


- ITEM-1 LADDER RUNG
- ITEM-2 RAIL SECTION (P/N 506270)
- ITEM-3 RUNG MOUNTING ASSEMBLY
STANDOFF (P/N 506273)

DETAIL 2 - ITEM 3
RUNG MOUNTING ASSEMBLY -
STANDOFF (P/N 506325)

PARTS LIST - ITEM 3

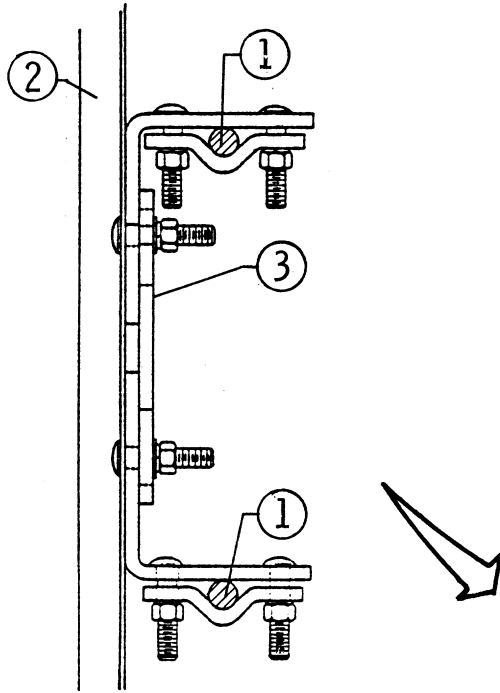
- a) Angle Bracket - Standoff (P/N 621497)
- b) Bolt (P/N 621267)
- c) Flat Washer (P/N 621465)
- d) Rung Clamp - Standoff (P/N 621484)
- e) Bolt (P/N 621269)
- f) Lock Washer (P/N 621268)
- g) Nut (P/N 621266)



For installation using standoff rung mounting brackets, one base support bracket must be mounted at the beginning of each vertical run of rail to add additional stiffness. See Figure 6.

FIGURE 6. BASE SUPPORT ASSEMBLY - STANDOFF (P/N 506326. GALV.)

DETAIL 1 - INSTALLATION DIAGRAM



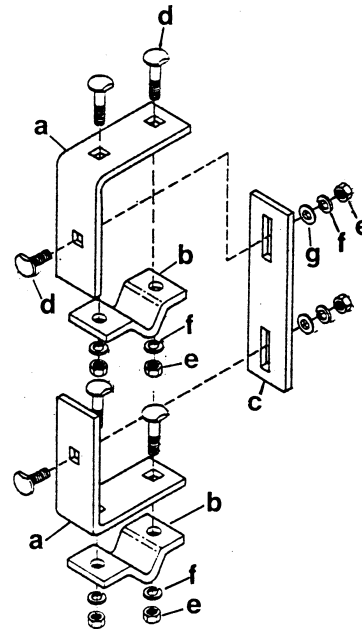
- ITEM-1 LADDER RUNG
ITEM-2 RAIL SECTION
(P/N 506270)
ITEM-3 BASE SUPPORT
ASSEMBLY STANDOFF
(P/N 506326)

DETAIL 2 - ITEM 3

BASE SUPPORT ASSEMBLY STANDOFF (P/N 506326)

PARTS LIST

- a) Angle Bracket — Base Support
(P/N 621498)
- b) Rung Clamp Standoff (P/N 621484)
- c) Stiffening Bar — Base Support
(P/N 621486)
- d) Bolt 2 1/2 inch (P/N 621269)
- e) Nut (P/N 621266)
- f) Lock Washer (P/N 621268)
- g) Flat Washer (P/N 621465)



1.3.2 Angle Corner Mounting Assembly.

This assembly provides means for attachment of a rail section to the corner of angle iron structural members. It consists of a bracket, two clamps for attachment to the edges of the angle, and three each bolts, lock washers and nuts.

1.3.3 Angle Edge Mounting Assembly.

This assembly provides means for attachment of a rail section to the edge of angle iron structural members. It consists of an edge clamp and one each bolt, lock washer and nut.

1.3.4 Flat Mounting Assembly.

This assembly provides means for attachment of a rail section to flat—surfaced structural members. It consists of a bracket and two each bolts, lock washers, flat washers and nuts.

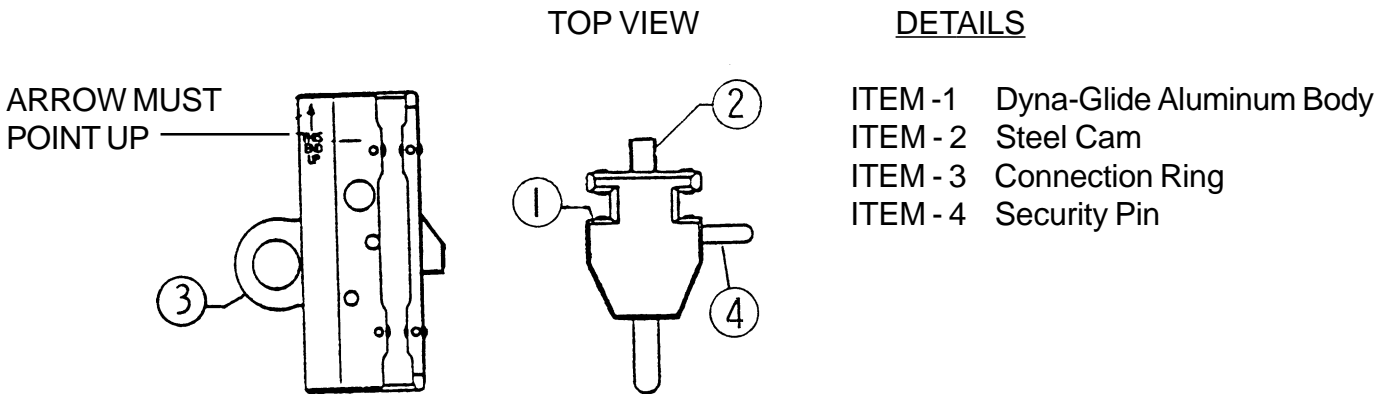
1.3.5 Column Mounting Assembly.

This assembly provides means for attachment of a rail section to poles and pipes. It consists of an adjustable bracket and five each bolts, lock washers and nuts plus eight each flat washers. Various bracket adaptations are available, built to special specification, for different column sizes and cross—sectional shapes.

1.4 Dyna-Glide™ Fall Arrester.

The fall arrester is a glide that engages and travels in the channel of all rail sections. It will allow hands-free work positioning, restricted travel along the rail, and will arrest a fall within inches by interference of its cam with one of the notches in the rail section. The Dyna-Glide fall arrester can be used on rail, which is installed either vertically or horizontally and it will travel along curved rail sections provided the rail curve radius is not too small. It permits ascent without resistance and descent by leaning slightly backward. The Dyna-Glide fall arrester consists of an aluminum body with a forged steel cam and ring in the vertical plane. See Figure 7. Connection to the body support is accomplished by means of a locking carabiner. See Figure 14. Other special connection means can be devised but the user should always first contact Rose Manufacturing Company. NEVER IMPROVISE!

FIGURE 7. DYNA-GLIDE™ FALL ARRESTER (P/N 506277)



1.5 End Stop Assemblies.

End stops prevent the Dyna-Glide fall arrester from accidentally slipping out of the top or bottom end of a string of rail sections. The end stops are available in either gated or ungated models. The gated models have a pivotable gate, which permits the climber to remove the fall arrester from the rail in a controlled way. See Figure 8. The gated models also prevent the climber from inserting the fall arrester in the wrong direction (upside down).

The ungated model of end stop is rigidly mounted to the rail end and completely prevents the fall arrester from being taken off the rail system. Obviously, therefore, when the ungated end stop is used at one end of the rail system, a gated end stop must be used at the other end in order to permit the insertion and removal of the fall arrester. Alternatively, if an ungated end stop is used on both ends, the fall arrester must be permanently left on the rail system. This is not recommended unless the system is located in a place, which is secured from the weather and from unauthorized users.

FIGURE 8. END STOP ASSEMBLIES. (STAINLESS)

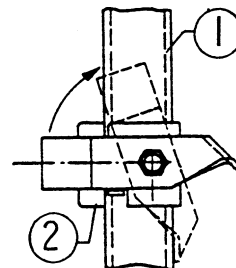
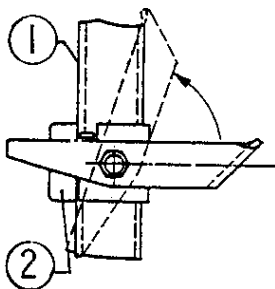
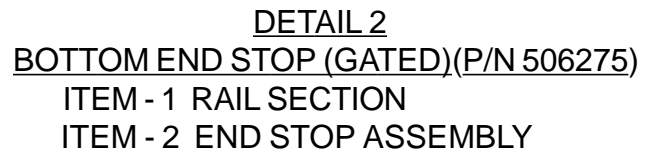
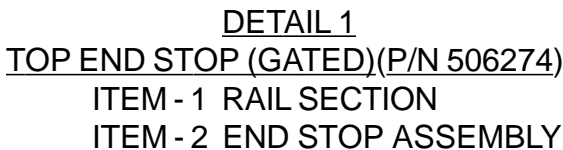
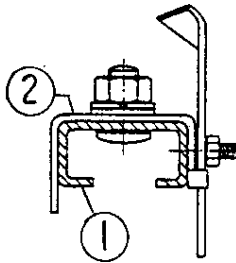


FIGURE 8. END STOP ASSEMBLIES. (STAINLESS) CONTINUEDDETAIL 1TOP END STOP (GATED)(P/N 506274)

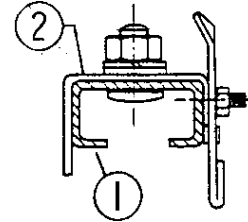
ITEM - 1 RAIL SECTION

ITEM - 2 END STOP ASSEMBLY

DETAIL 2BOTTOM END STOP (GATED)(P/N 506275)

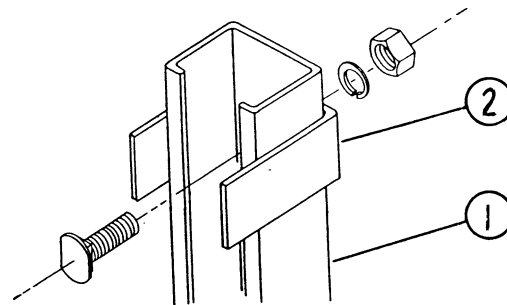
ITEM - 1 RAIL SECTION

ITEM - 2 END STOP ASSEMBLY

DETAIL 3UNGATED END STOP (P/N 506312)

ITEM - 1 RAIL SECTION

ITEM - 2 END STOP ASSEMBLY



1.6 Body Supports.

Two basic body supports may be used in the Dyna-Glide Climbing Protection System. The recommended one is the Pullover Harness, which attaches to the fall arrester at chest level. This full body harness has the benefit of serving a wide range of climber needs in addition to attachment to the fall arrester. A variety of full body harnesses may be suitable for use in the Dyna-Glide system provided they have a compatible means of frontal connection to the fall arrester which is located between the waist and sternum of the climber.

An alternative body support is the body belt with a D-ring located in the front near the buckle. A wide variety of body belts may be suitable for use in the Dyna-Glide system provided they have a compatible means of frontal connection to the fall arrester.

If the user intends to use any body support or linkage between the fall arrester and body support other than those supplied by Rose Manufacturing Company, the user should first check with Rose Manufacturing Company to determine if they are compatible.

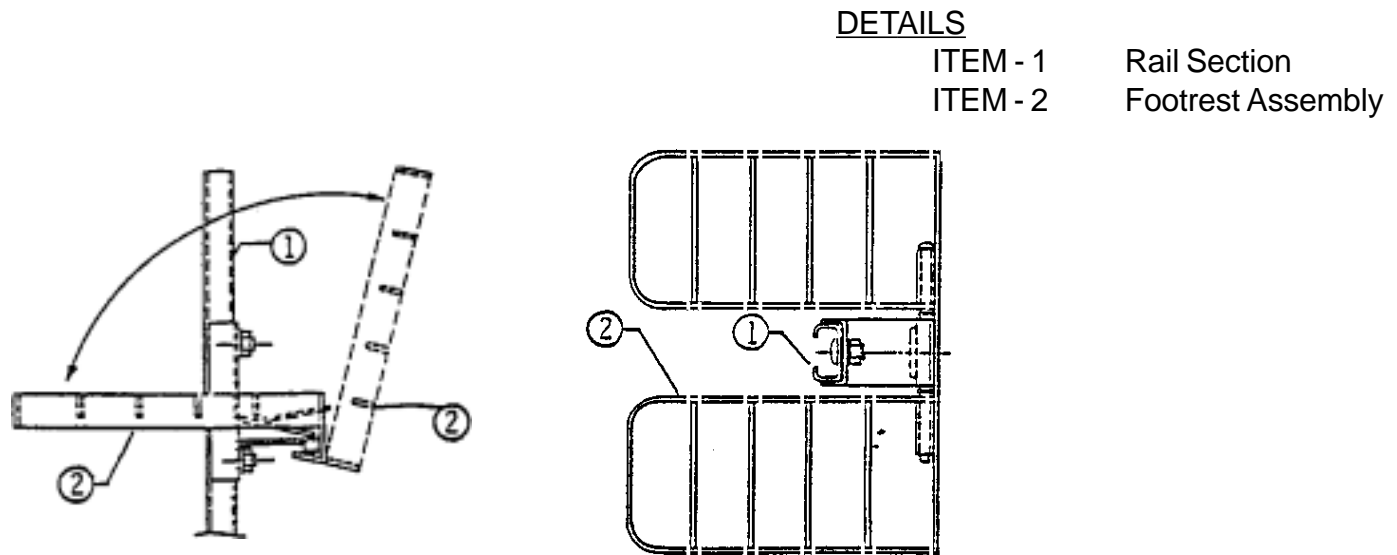
1.7 Accessories.

Beyond the basic components described above, several optional accessories are available. These accessories can enhance the climber's mobility, extend the range of continuous protection, and provide added convenience and comfort.

1.7.1 Folding Footrest.

This is a pedestal, just large enough for both feet, which attaches to a rail section with a hinged bracket that enables the footrest to be pivoted up, out of the way of the climber, or down to stand on. See Figure 9. The travel of the fall arrester is not interfered with. The footrest is normally installed at fixed points where there may be a need to rest or perform work or inspections. It can be mounted at any point on a rail section except the very ends where a rail connector assembly is installed. It is made from either hot galvanized steel or stainless steel and is attached to the rail using two each bolts, lock washers and nuts.

FIGURE 9. FOLDING FOOTREST ASSEMBLY (P/N 506384. GALV.)



DETAILS

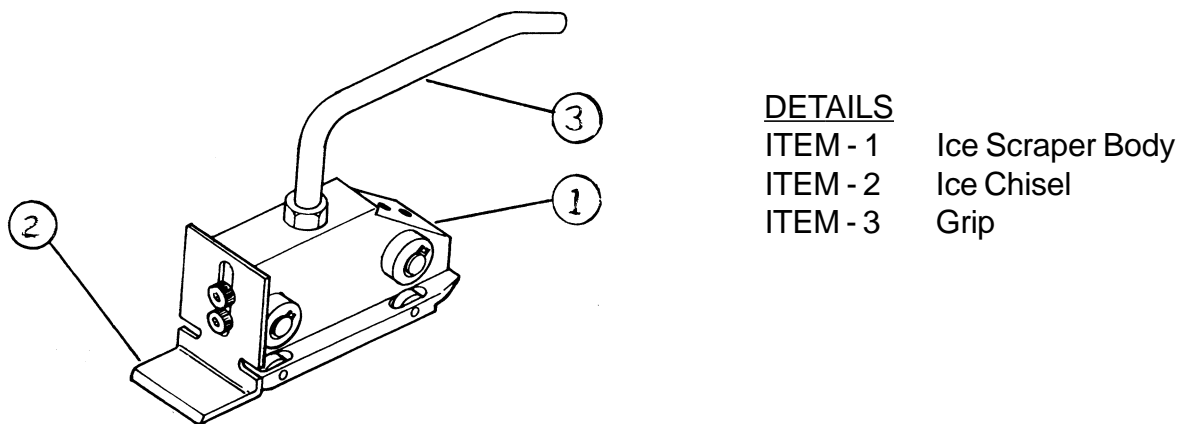
- ITEM - 1 Rail Section
- ITEM - 2 Footrest Assembly

1.7.2 Ice Scraper.

In climates where the rail system may be covered with ice; an ice scraper is recommended to clear ice off the rail and enable the fall arrester to travel properly. The ice scraper is a lightweight glide with aluminum body, stainless steel ice chisel and stainless steel grip. See Figure 10. Unlike the fall arrester, it has no locking mechanism. It is manually pushed up the rail ahead of the fall arrester, cracking off ice on the rail surface. The following fall arrester can then travel on the rail.

CAUTION! In extreme cases where ice cannot - be adequately removed. the system must not be used.

FIGURE 10. ICE SCRAPER (P/N 506405)



DETAILS

- ITEM - 1 Ice Scraper Body
- ITEM - 2 Ice Chisel
- ITEM - 3 Grip

1.7.3 Turntable Assembly.

This is a stainless steel rotating device that enables the climber to transfer between vertical and horizontal runs of rail sections without disconnection of the fall arrester. The turntable abuts as many as four rail sections. The fall arrester may therefore pass through it in as many as four directions (up, down, left and right). The turntable receives the fall arrester when it enters from any of the adjacent rail sections. By rotating the turntable receptacle, the fall arrester may then be moved away from the intersection in a different direction. The turntable receptacle can rotate 90 degrees, enabling the four-way intersection. **CAUTION: When more than one turntable is installed in a Dyna-Glide Rail System, extreme care must be taken to be sure that the fall arrester cannot be rotated so as to have it re-enter a vertical rail section in the wrong direction and thereby not be able to block a fall.**

The turntable can be mounted at the intersection of curved rail sections provided, however, the radius of curvature of such rail sections is not less than 19.7 inches (500mm). This feature permits the climber to negotiate about obstacles.

1.7.4 Roundabout Assembly.

The roundabout is a device consisting of a trolley that runs on two parallel horizontal rods. The trolley is vertically mounted and abuts two adjacent vertical rail sections. The trolley has spring - loaded pins, which permit the fall arrester to be slipped into it and captured until intentionally removed. When the fall arrester is engaged within the trolley, the trolley and fall arrester may travel together along the horizontal rods and thereby move in an arc around obstacles without disconnection of the fall arrester. A hand rail and a foot rail assist the climber in traversing about the obstacle. The parallel horizontal rods may have a stop to align the trolley with another rail section apart from the one used to enter the trolley with the fall arrester. The roundabout assembly is used where the radius of movement about obstacles is less than 19.7 inches (500mm).

2.0 PLANNING THE INSTALLATION.

In the preceding section of this manual we described the many components of the Dyna-Glide system. Before these can be assembled into a system the requirements which the system must satisfy have to be determined. This starts by identifying the places, which must be accessed, the climbing path, the footing and hand holds for the climber, and the structure to which the rail system will be attached.

Special attention must be paid to the workplace geometry and required mobility of the user. The objective of the system design is to provide protection throughout the user's ascent, descent and work. Consideration must be given to environmental factors and the location and nature of hazards before a plan can be developed which eliminates or effectively controls the user's exposure to these hazards.

Avoid installation where objects falling from above can strike the climber or damage the rail system. Follow all utility company rules when installations are made near electrically energized lines. Always have a plan for rescue of personnel using the rail system.

3.0 MAKING THE INSTALLATION.

3.1 Equipment Required.

The only equipment, which is normally necessary to make an installation of a rail system to a fixed ladder is:

- a) Wrenches, eight inches long open and box ends of 3/4 inches.
- b) A bolt bag and rope for conveying the clamps, brackets, bolts, nuts and washers from the ground to the installer.
- c) A pulley and rope for raising rail sections and the bolt bag to the installer.
- d) A clamp or lash to temporarily hold a rail section in place until attachment to the rail connector is made.
- e) A full body harness.
- f) A work positioning lanyard.
- g) A suitable temporary fall arrester/lifeline with anchorage means.
- h) A tool belt with separate bags for bolts, nuts and washers.
- i) A tape measure.
- j) Two-way radios (2) (optional)
- k) If required, a miter box for cutting steel rail.

3.2 Personnel Required.

Two persons are required to make an installation to a fixed vertical ladder. One person (the "climbing installer") climbs and installs the rail sections one at a time. The second person is on the ground (the "ground person") and deploys materials to the climber.

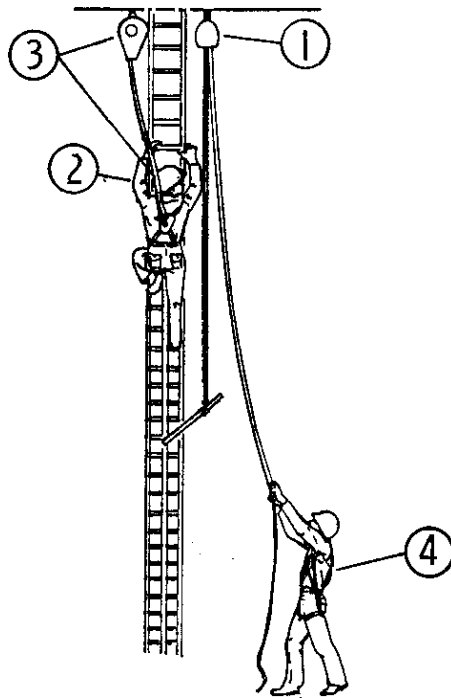
The climbing installer and the ground person should both be trained and experienced climbers versed in safety at heights - including rescue procedures. Unless there are other personnel at ground level who are trained and equipped for rescue, the ground person must be prepared to immediately effect a rescue operation. This includes wearing the proper equipment at all times and having means of calling others for emergency assistance. If the climbing installer and ground person switch roles to spell each other off, then both must be equipped, trained and fit to assume the duties and responsibilities of both roles.

3.3 Installers' Personal Safety Equipment.

The first thing the installers must do is don and put in place their personal protective equipment. This consists primarily of the climber's personal fall arrest system but also includes hard hat, gloves, protective eyewear, safety shoes and other special equipment called for in the circumstances. When anchoring the temporary personal fall arrest system, the climbing installer should also anchor the pulley and handline for raising the rails and installation hardware.

Carefully follow the manufacturer's instructions for anchoring and use of the personal fall arrest system and materials pulley/handline. The pulley/handline should be rigged so as to permit lifting components to the climbing installer so they are easily within his reach and can be stabilized by the ground person until mounted to the structure. See Figure 11.

FIGURE 11. USE OF PERSONAL FALL ARREST SYSTEM



DETAILS

- ITEM - 1 Pulley/Handline
- ITEM - 2 Climbing Installer
- ITEM - 3 Personal Fall Arrest System
- ITEM - 4 Ground Person

3.4 Preparation of Materials at the Installation Site.

Locate all rail sections and installation hardware in a dry place outside the zone of any possible trajectory of tools or materials, which could fall from overhead during the installation. If this is not possible, install protective netting of proper strength and mesh above where the ground worker may be while assisting the climbing installer. NOTE: In some installations, such as confined spaces underground, the materials must be moved downward. If materials are outside or where they can be contaminated, protect them with tarp and keep them off the ground with pallets.

Before mounting, clean all parts of any residual foreign matter — especially at the connecting areas. Avoid contact with mortar, concrete or other materials, which may adhere to surfaces. Remove any such contaminants immediately. The running surfaces for the fall arresster are particularly important to check for foreign matter. Check all parts for deformations, improper surface finish, alterations and manufacturing defects which could affect performance or fit.

Segregate all parts and orient rail sections to facilitate connection at the end which is to be uppermost (notch opening “up”) when being moved for mounting. **CAUTION! Always check to be sure the rail notches are up or the fall arresster will otherwise not lock.** Place installation hardware into a bolt bag and/or climber — borne pouches to ease removal for installation aloft. Consult the installation plan and lay out special rails (e.g. curved sections) in the sequence they will be installed. Two—way radio contact is very helpful on long runs of rail to coordinate when things such as special sections are needed next in the installation sequence. Radio contact is also important to keep the two installers aware of their respective needs or problems and to provide means of communicating safety hazards or emergencies.

To assist the climbing installer, it is sometimes preferred to pre—assemble some parts on the ground. For example, the rail connector assembly can be attached (not tightly) to the bottom of a rail section before it is moved to the mounting point. (Care must be taken to assure the parts do not come loose and fall during movement.) The climbing installer is thus saved some time and motion in making the first coupling of that rail section. It is usually not advisable to pre-assemble parts of mounting assemblies on the ground as their precise location must be decided by the climbing installer.

As an extra precaution, the ground person may install a piece of heavy wire at the top of each rail section before moving it to the mounting place with the handline. The wire goes through the top slot in the rail, then around one side of the rail, and is secured by twisting the wire ends together. The wire must not be removed until the next rail section is properly connected. This helps to remind the climbing installer which end is “up”. It also prevents the Dyna-Glide fall arresster from slipping out of the top rail and falling to the ground. NOTE: During rail installation it is suggested that a fall arresster be mounted on the rail

by the climbing installer and moved upward with each rail section installation to check for misfit rail abutments and unsatisfactory fall arrester-to-rail interfacing which may require remedy before the installation is complete. **WARNING: THE CLIMBER MUST NEVER CONNECT HIMSELF TO THIS FALL ARRESTER UNTIL THE ENTIRE SYSTEM INSTALLATION IS COMPLETED AND INSPECTED.**

3.5 Assembly Sequence.

Assembly of the Dyna-Glide system must start at the bottom of the run and be built upward toward the top. The first rail section installed should be the one that contains the bottom end stop. Be certain the notches on the rail point upward (see Figure 1, Item 3) and that the bottom end stop is installed in its proper orientation. See Figure 8, Detail 2 and Section 3.8. Positioning the bottom end stop close to waist level will ease attachment of the Dyna-Glide fall arrester when preparing to climb.

If the first rail section is located near enough to the ground, no climbing or use of the pulley/handline will be necessary to mount it. However, when mounting the first rail section in an elevated location the worker must be positioned correctly and securely attached to a fixed anchorage. Install the rail section according to the procedure in Section 3.7. When changes in direction of the ladder are encountered, and bent rail sections must be installed, it may be necessary to cut a rail section to shorter than its 88-3/16 inch (2240 mm) length. When rail sections must be shortened, the proper location of the cut must be determined. The Dyna-Glide rail sections are made with tabs and slots located on 5-1/2 inch centers. Any cut on a rail section is best made in 5-1/2 inch increments through the top of the notch closest to the desired length. (See Figure 1, Item 3) This provides the proper distance of the slot from the end of the rail, which allows a standard connector plate (Figure 2, Item 2) to fit. This may require shifting the bent rail section up or down a few inches for proper abutment.

Whenever galvanized rail sections are cut, it is necessary to cover the cut end with a protective coating such as a 90% zinc galvanizing paint. Cuts should be made with a miter box to assure squareness of ends. The lead - in edges on the short legs of the C shape should be chamfered 1/16 inch with a file to allow easy passage of the Dyna-Glide fall arrester through the joint.

For proper installation the Dyna-Glide rung mounting assemblies should be located symmetrically, 11.12 inches to 18 inches (282mm to 457mm) from each end of a rail section. The maximum permissible distance between rung mounting assemblies is 66.14 inches (1680mm). On rail sections that must be shortened, the minimum permissible cut length is 44.09 inches (1120mm). This allows sufficient length to enable the shortened rail section to be supported by a minimum of two rung mounting assemblies while holding the mounting assemblies the correct distance from each end.

Once the first rail is mounted, the climbing installer connects to his temporary independent fall arrest system (not the Dyna-Glide system) and climbs to the upper end of the next installed rail and connects his work positioning lanyard to the ladder and/or structural member (again, not the just-installed rail). The ground person connects the handline to the next rail section and raises it to the place where the climbing installer can make the attachment of the rail connector assembly between the two rail sections. See section 3.7. The ground person steadies the suspended rail with the handline while the connection is made. Once done, the climber can disconnect the handline and send the handline end back to the ground person. The climber then proceeds to attach the mounting assemblies to the rail and ladder in the manner described in section 3.7, making sure the rail alignment and abutment is correct before tightening the nuts.

3.6 Torque Range for Tightening Nuts.

The following torque range must be adhered to in order to secure the various fasteners:

- a) Rung Mounting Assembly 15-20 lb.-ft.
- b) End Stops 20-25 lb.-ft.
- c) Rail Connector Assembly 20-25 lb.-ft.

3.7 Coupling Rails and Mounting to Ladder Rungs.

The first step for installing a rail section is to stabilize the rail and install the rail connector assembly shown in Figure 2. Do not yet tighten the nuts. Next, install the rail mounting assemblies from the lowest to highest end of the rail section. Do not yet tighten the nuts. Most rail systems will have the rail sections attached to the ladder rungs by "alligator" rung clamps. However, rails may occasionally need a unique mounting assembly. In such instances, contact Rose Manufacturing Company. Special mounting assemblies are not included in this manual.

When attaching a rung (alligator) clamp, hold the rail against the front of ladder rungs and align the clamp on the back of the rung with teeth engaging the rung. See Figure 4. Insert bolts through the rail slots and rung clamp holes. Secure with lock washers and nuts. Before tightening nuts, shift the rail into correct alignment with the adjacent rail. See Figures 12,13.

NOTE: Rung mounting assemblies must be spaced apart by no more than 66 inches (1680mm) in order to securely stabilize the rail section.

The second rung clamp is secured in the same way. A final check is made to assure the butt joint between rails is tight and that the rail alignment is correct. See Figures 12, 13. Then torque all nuts in accordance with torque limits in section 3.6.

FIGURE 12. IMPROPER ALIGNMENT AND ABUTMENT OF ADJACENT RAIL SECTIONS.

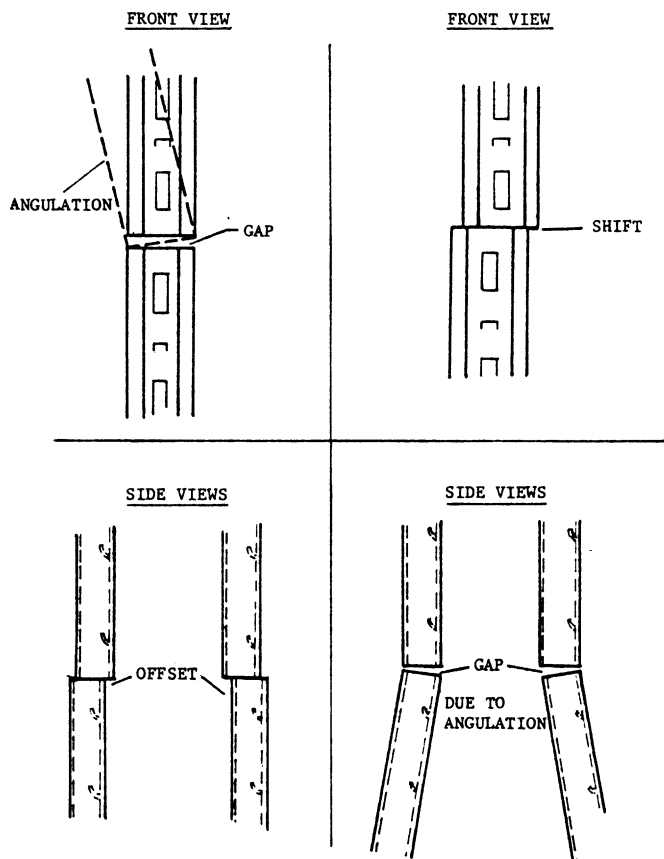
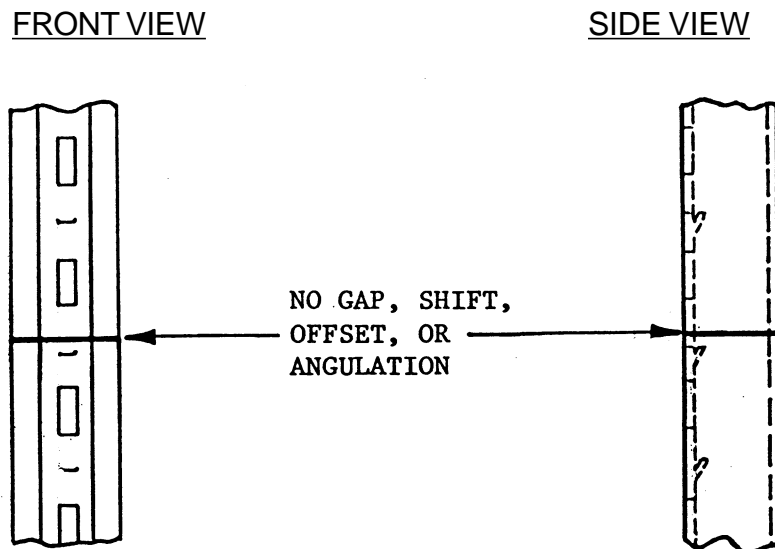


FIGURE 13. PROPER ALIGNMENT AND ABUTMENT OF ADJACENT RAIL SECTIONS.



3.8 End Stop Installation.

End stops are installed at the very bottom of the first (lowest) rail section and the very top of the last (highest) rail section. The bottom end stop is installed at the time the first rail section is installed. The end stops are marked "Bottom" and "Top". Be sure they are used in the correct places. See Figure 8. Use the bolt, lock washer, flat washer and nut provided in order to secure the end stops in the manner shown. The lock washer is placed nearest the nut. When finished, the end stop lever must be at the right when facing the rail. Check to be sure the end stop functions correctly when the fall arrester comes against it. Rotating the end stop gate should permit the fall arrester to be removed from the rail.

3.9 Folding Footrest Installation.

The footrest is attached to the back of the rail by use of two bolts and associated nuts and lock washers. It is mounted between ladder rungs.

There is a square slot and a rectangular slot in the mounting bracket of the footrest. The square slot is placed at the lower end. Adjust the elevation of the footrest until there is clearance between the pedestal and the rung above when the pedestal is pivoted upward. Then fix the footrest in place with the bolts, lockwashers and nuts. Torque the nuts per section 3.6. Make a final check to be sure the pedestal properly folds upward and has sufficient clearances. See Figure 9.

3.10 Final Inspection of Rail Assembly.

After finishing assembly of the rail in accordance with the above, make a final check as follows.

Take a bearing on the vertical alignment of all rail sections. If the alignment is not straight, adjustment must be made. All abutments of rail sections must be tight. See Figure 12, 13. If there is misalignment or gaps between rail sections the fall arrester will not run smoothly and excessive wear of the fall arrester will result. If one rail section is moved downward to close a gap, all rail sections above it must also be moved accordingly.

All bolts/nuts must be checked for tightness to the torque ranges in section 3.6. Be sure the lock washers are in place.

Pass the fall arrester over the entire rail string to be sure it travels smoothly. In particular, check to be sure it passes the joints of rail sections without hanging up. **Be sure all rail sections have the notch opening up. Otherwise the fall arrester will not stop a fall.**

4.0 USE OF DYNA-GLIDE SYSTEM.

4.1 Body Support.

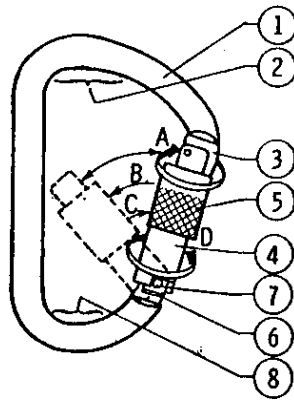
Use the system with the proper body support. We recommend the use of the Rose Pullover Harness with connection to the chest D-ring. However, the system may be used with another suitable harness with a D-ring between waist and sternum level, or a body belt with frontal attachment D-ring. Special configurations are possible, such as a linkage between two hip D-rings with an adjustable connector in between for attachment to the fall arrester. Always consult the manufacturer's instructions and Rose Manufacturing Company before using a nonstandard body support and linkage to the fall arrester.

The linkage to the fall arrester must be kept as short as possible. Otherwise, the climber will have to lean outward too far in order to disengage the fall arrester cam for descent. Keep the body support snug to prevent slack from increasing this distance.

4.2 Carabiner and Fall Arrester.

A carabiner (Rose part number 506259) is used to link the fall arrester to the frontal D-ring on the body support. See Figure 14.

FIGURE 14 CARABINER (P/N 506259)



DETAILS

- ITEM - 1 Snap Body
- ITEM - 2 Engagement with ring on Dyna-Line Fall Arrester
- ITEM - 3 Nose
- ITEM - 4 Label
- ITEM - 5 Gate
- ITEM - 6 Inner Gate
- ITEM - 7 Hinge
- ITEM - 8 D-Ring Seat

TO UNLOCK AND OPEN GATE

- A. Rotate gate 90 degrees about its axis (unlock)
- B. Depress gate until it pivots about hinge (open)

TO CLOSE AND LOCK GATE

- C. Release gate and it should swing back and contact nose (close)
- D. Gate should rotate 90 degrees and engage nose (lock)

CAUTION: Gate should not open under pressure from any direction unless unlocked. If this condition is not met or if any steps A, B, C, or D cannot be performed properly, remove carabiner from use.

NOTE: Lubricate area about hinge and inner sleeve (on both sides of snap)

Insert the fall arrester into the rail section by opening the end stop gate. Be sure the engraved arrow on the fall arrester points up in the direction of the arrow and that the security pin is to the right. See Figure 7. Attach the carabiner to the body support frontal D-ring and then to the ring on the fall arrester.

The climber can now ascend without any resistance. In order to descend, the climber must lean away from the rail to release the cam on the fall arrester so it will pass the notches in the rail.

If the climber intends to work position during the climb, he should carry a work positioning lanyard of proper length with him. If he intends to dismount from the rail at any point he must have auxilliary fall arrest equipment for doing so (e.g. a shock absorbing lanyard or a rope grab and installed lifeline). Always anchor and connect the body support to such equipment before attempting to disconnect from the Dyna-Glide system.

Remove the fall arrester from the rail when all work is complete. It should not be left in the weather or for someone else to use without proper instruction or authorization.

5.0 INSPECTION AND MAINTENANCE.

5.1 Inspection Prior to Use.

Before each use, inspect the fall arrester, carabiner, body support and end stops. During ascent/descent, check the rails, rail connectors, and mounting assemblies to be sure they are intact and tight. Look for excessive wear, damage, alteration, missing parts, corrosion and foreign matter that may impair proper function. The rail sections and their connections must be formally inspected by a competent person or qualified engineer at least every six months and immediately after experiencing any impact loading. Inspections should be logged, records preserved and made available for examination upon request.

5.2 Rail Inspection Checklist

- a) Check for smooth travel of the fall arrester. If it sticks, remove the rail section where this occurs or make the needed adjustments at joints.

- b) Check tightness and alignment of butt joints between rail sections. See Figure 12, 13. Make the necessary adjustment. This may necessitate adjusting several rail sections after the first joint is corrected. Be sure alignment of rails is preserved. **CAUTION!** Use an auxiliary fall arrest system and work positioning lanyard when loosening rail sections for adjustment. Do not rely on the Dyna-Glide fall arrester during such operations.
- c) Check for corrosion. If excessive corrosion is evident, replace the rail section.
- d) Remove any foreign matter from the rail surface.
- e) Check for buildup of zinc on the bottom end of rail sections that will cause excessive gap in rail joints. Remove buildup with hand file as necessary but do not cut fully through protective zinc layer.

5.3 Inspection of Rail Connectors and Mounting Assemblies.

- a) Check for tightness of all nuts/bolts. Torque requirements are in section 3.6. Replace bolts and nuts with fouled threads.
- b) Check for presence and proper placement of lock washers.
- c) Check for damage to any plates, brackets or clamps and replace damaged units. Two mounting assemblies must be present for every rail section longer than 48 inches.
- d) Check for corrosion and replace if corrosion is excessive.

5.4 Inspection of End Stops.

- a) Check to be sure the proper end stops are mounted at top and bottom of the system. They are marked "Top" and "Bottom".
- b) Check to see that the end stop gate is situated at the right when facing the rail. Be sure it functions correctly, is not damaged, and that it automatically returns to the closed position after being intentionally opened.
- c) Check for proper tightness of bolts/nuts and replace units with damaged threads.
- d) Remove any foreign matter that impairs operation.
- e) Be sure lock washers are present and properly placed.

5.5 Inspection of Fall Arrester.

- a) Check all parts for alteration, damage or missing parts. If any evidence of this exists, remove the fall arrester from use and return it to Rose Manufacturing Company for service.
- b) Check the cam for complete freedom of movement under the spring force. It must snap back into position under spring force when the cam ring is pulled out and released. If the spring is weak or inoperative, remove the fall arrester from use and return to Rose Manufacturing Company for service.
- c) Check the steel wheels for damage, wear and freedom of rotation. If foreign matter impedes rotation, clean the unit and recheck. If the wheels do not function or are damaged or excessively worn, remove the unit from use and return to Rose Manufacturing Company for service.
- d) Check the wheel dowel pins (8 in all). If any are missing, damaged, or not flush with the side of the body, remove the fall arrester from use and return it for service.
- e) Check the security pin, which projects from the right side of the body. It must be straight and tight.
- f) Check the spring pin and cam stop pin (inside the body) and the cam pivot pin. If damaged, altered or missing, remove the fall arrester from use and return to Rose Manufacturing Company for service.
- g) Check for excessive corrosion and remove from use if evident.

- h) The fall arrester requires no lubrication.
- i) Store the fall arrester in a clean, dry place and not where it can come into contact with corrosives.

5.6 Inspection of Folding Footrest

- a) Check all parts for excessive corrosion, damage, distortion or alteration and replace if any of these conditions are evident.
- b) Check for complete freedom of movement. Be sure it will, remain folded up until the pedestal is intentionally lowered for use. Clean away any foreign matter that impedes freedom. If the pedestal does not clear the rungs when folding, adjust to function properly. Replace if rung spacing does not allow it to completely fold out of the way.
- c) Check the welded joints. Be sure the pedestal locks securely when down.
- d) Check all bolts/nuts for proper tightness to torque settings in section 3.6. Replace if threads are damaged or stripped. Be sure lock washers are present and properly placed. Check the hinge pin and be sure that it is properly retained with a cotter pin.

5.7 Inspection of Body Support and Carabiner.

Inspect and maintain in accordance with manufacturer’s instructions.

6.0 PARTS LIST FOR ASSEMBLIES.

ASSEMBLY P/N	ASSEMBLY COMPONENT P/N	QUANTITY PER EACH ASSEMBLY	DESCRIPTION
506271		1	RAIL CONNECTOR ASSEMBLY-GALV.
	621270	1	Rail Connector Plate
	621267	2	Bolt (1/2 - 13 unc. x 1-1/4)
	621266	2	Nut, Galv., Hex (1/2 - 13 unc.)
	621268	2	Lock Washer (1/2 nom.)
506329		1	SPECIAL RAIL CONNECTOR ASSEMBLY-GALV.
	621496	1	Special Rail Connector Plate
	621267	2	Bolt (1/2 - 13 unc. x 1-1/4)
	621266	2	Nut, Galv., Hex (1/2 - 13 unc.)
	621268	2	Lock Washer (1/2 nom.)
506273		1	RUNG MOUNTING ASSEMBLY-GALV.
	621271	1	Rung Clamp
	621269	2	Bolt (1/2 - 13 unc. x 2-1/2)
	621266	2	Nut, Galv., Hex (1/2 - 13 unc.)
	621268	2	Lock Washer (1/2 nor.)
506325		1	RUNG MOUNTINGASSEMBLY-STANDOFF-GALV.
	621497	1	Angle Bracket
	621484	1	Rung Clamp
	621267	1	Bolt (1/2 - 13 unc. x 1 1/4)
	621266	3	Nut, Galv., Hex (1/2 - 13 unc.)
	621268	3	Lock Washer (1/2 nom,.)
	621269	2	Bolt (1/2 - 13 unc. x 2 -1/2)
	621265	1	Flat Washer (1/2 nor.)

6.0 PARTS LIST FOR ASSEMBLIES. (CONTINUED)

ASSEMBLY P/N	ASSEMBLY COMPONENT P/N	QUANTITY PER EACH ASSEMBLY	DESCRIPTION
506326			BASE SUPPORT ASSEMBLY- STANDOFF-GALV.
	621498	2	Angle Bracket
	621484	2	Rung Clamp
	621486	1	Stiffening Bar
	621266	6	Nut, Galv., Hex (1/2 - 13 unc.)
	621268	6	Lock Washer (1/2 nom.)
	621269	6	Bolt (1/2 - 13 unc. x 2-1/2)
	621265	2	Flat Washer (1/2 nom.)
506274			TOP END STOP ASSEMBLY (GATED)-S.S.
	621407	1	Top End Stop Housing
	621267	1	Bolt (1/2 - 13 unc. x 1 1/4)
	621266	1	Nut, Galv., Hex (1/2 - 13 unc.)
	621268	1	Lock Washer (1/2 nom.)
506275			BOTTOM END STOP ASSEMBLY (GATED)—S.S.
	621409	1	Bottom End Stop Housing
	621267	1	Bolt (1/2 - 13 unc. x 1-1/4)
	621266	1	Nut, Galv., Hex (1/2 x 13 unc.)
	621268	1	Lock Washer (1/2 nom.)
506312			END STOP ASSEMBLY (UNGATED)-S.S.
	621477	1	End Stop Housing
	621500	1	Bolt - (Carriage) (5/16 - 18 x 2 3/4 S.S.)
	621429	1	Nut, Hex 5/16 - 18 Nyloc S.S.)
	621430	1	Flat Washer (5/16 nom. S.S.)
506276			FOLDING FOOTREST ASSEMBLY-GALV.
	621272	1	Hinged Footrest Bracket
	621267	2	Bolt (1/2 - 13 unc. x 1-1/4)
	621266	2	Nut, Galv., Hex (1/2 - 13 unc.)
	621268	2	Lock Washer (1/2 nom.)

WARRANTY

Express Warranty – Rose/MSA warrants that the product furnished is free from mechanical defects or faulty workmanship for a period of one (1) year from first use or eighteen (18) months from date of shipment, whichever occurs first, provided it is maintained and used in accordance with Rose/MSA’s instructions and/or recommendations. Replacement parts and repairs are warranted for ninety (90) days from the date of repair of the product or sale of the replacement part, whichever occurs first. Rose/MSA shall be released from all obligations under this warranty in the event repairs or modifications are made by persons other than its own authorized service personnel or if the warranty claim results from misuse of the product. No agent, employee or representative of Rose/MSA may bind Rose/MSA to any affirmation, representation or modification of the warranty concerning the goods sold under this contract. Rose/MSA makes no warranty concerning components or accessories not manufactured by Rose/MSA, but will pass on to the Purchaser all warranties of manufacturers of such components. THIS WARRANTY IS IN LIEU OF ALL OTHER WARRANTIES, EXPRESS, IMPLIED OR STATUTORY, AND IS STRICTLY LIMITED TO THE TERMS HEREOF. ROSE/MSA SPECIFICALLY DISCLAIMS ANY WARRANTY OF MERCHANTABILITY OR FITNESS FOR A PARTICULAR PURPOSE. For additional information please contact the Customer Service Department at 1-800-MSA-2222 (1-800-672-2222).

Copyright © 1988 - 1999. by Rose Manufacturing Company

All rights reserved. Except as permitted under the United States Copyright Act of 1976, this publication or any portion thereof may not be reproduced or distributed in any form or by any means, electronic or mechanical, including photocopying, recording, or by any information storage and retrieval system, without permission in writing from Rose Manufacturing Company.

Printed in the United States of America.

**ROSE MANUFACTURING COMPANY ■ 2250 SOUTH TEJON STREET
ENGLEWOOD ■ COLORADO ■ 80110-1000 ■ USA
TEL. (303) 922-6246 ■ TOLL FREE (800) 722-1231 ■ FAX (303) 934-9960**