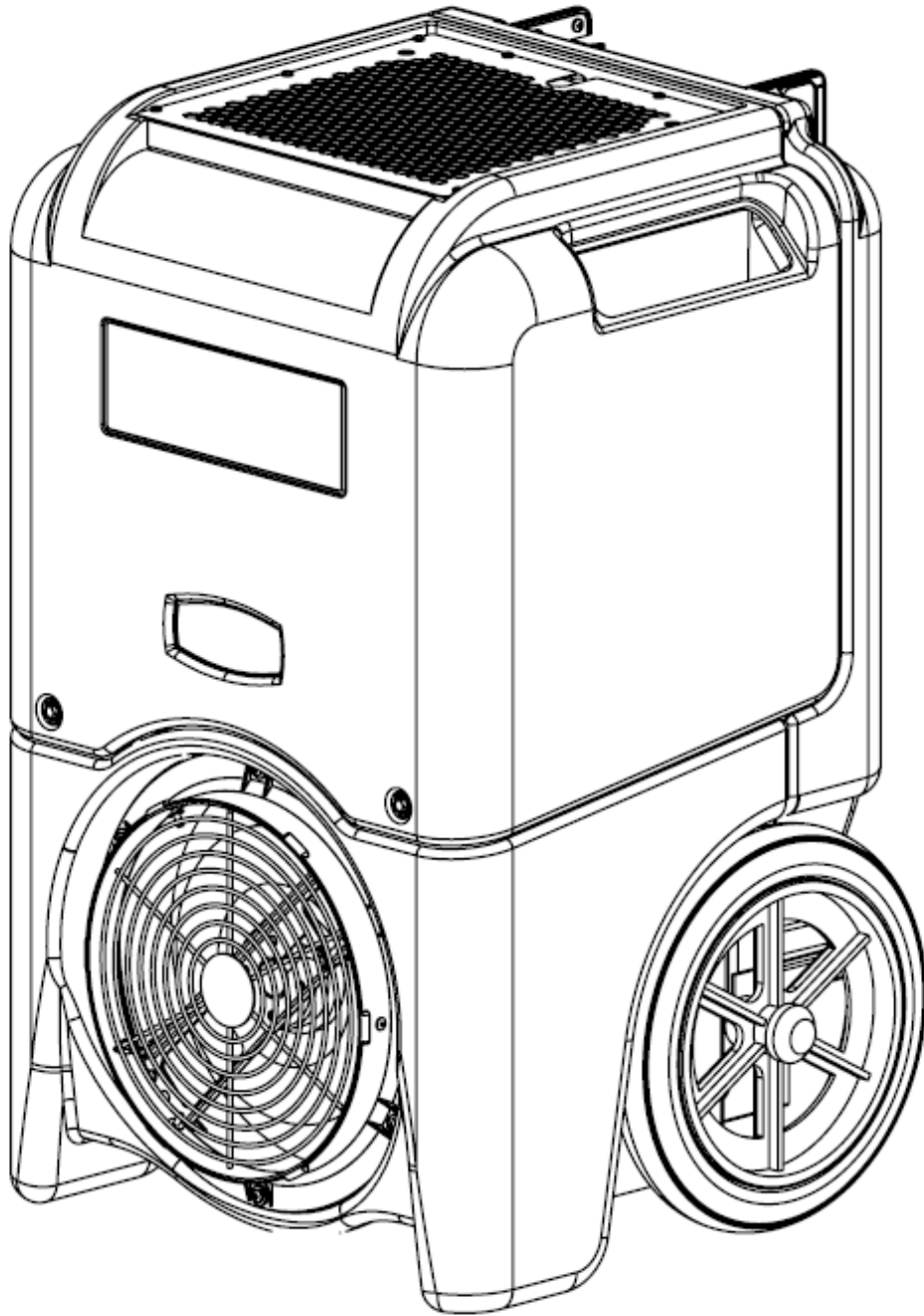
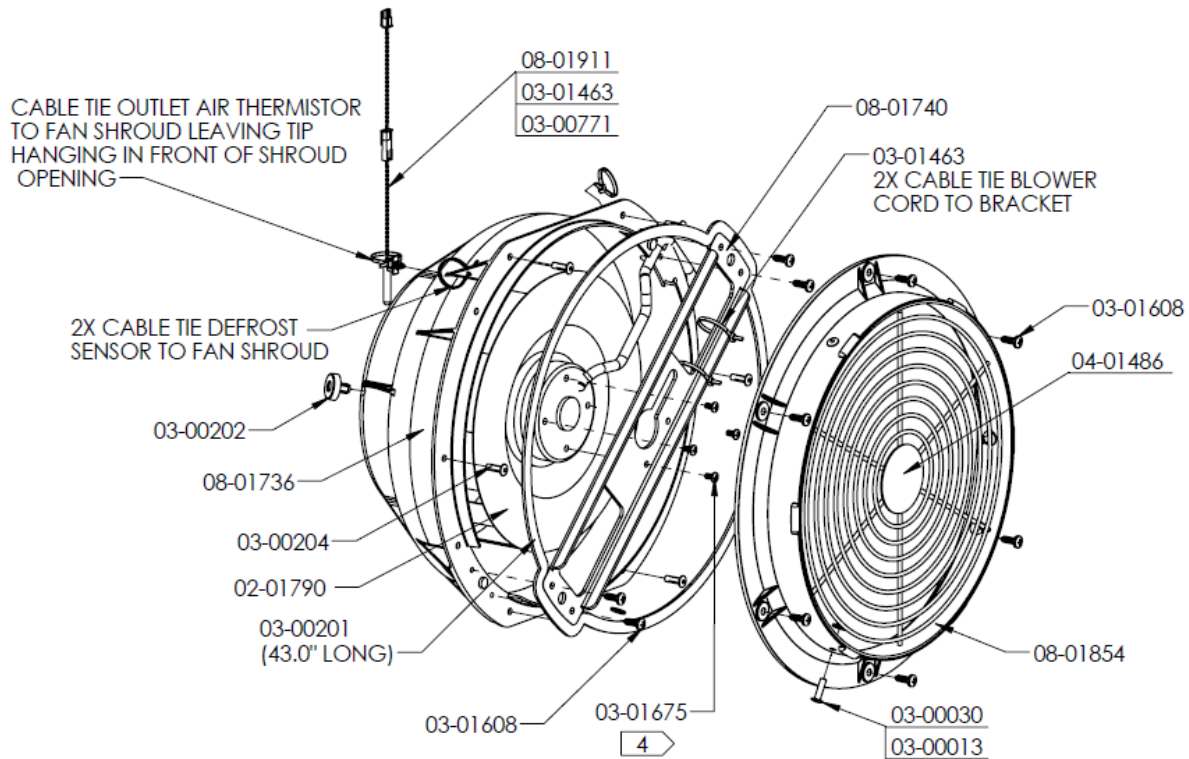


F532 DEHUMIDIFIER ASSEMBLY

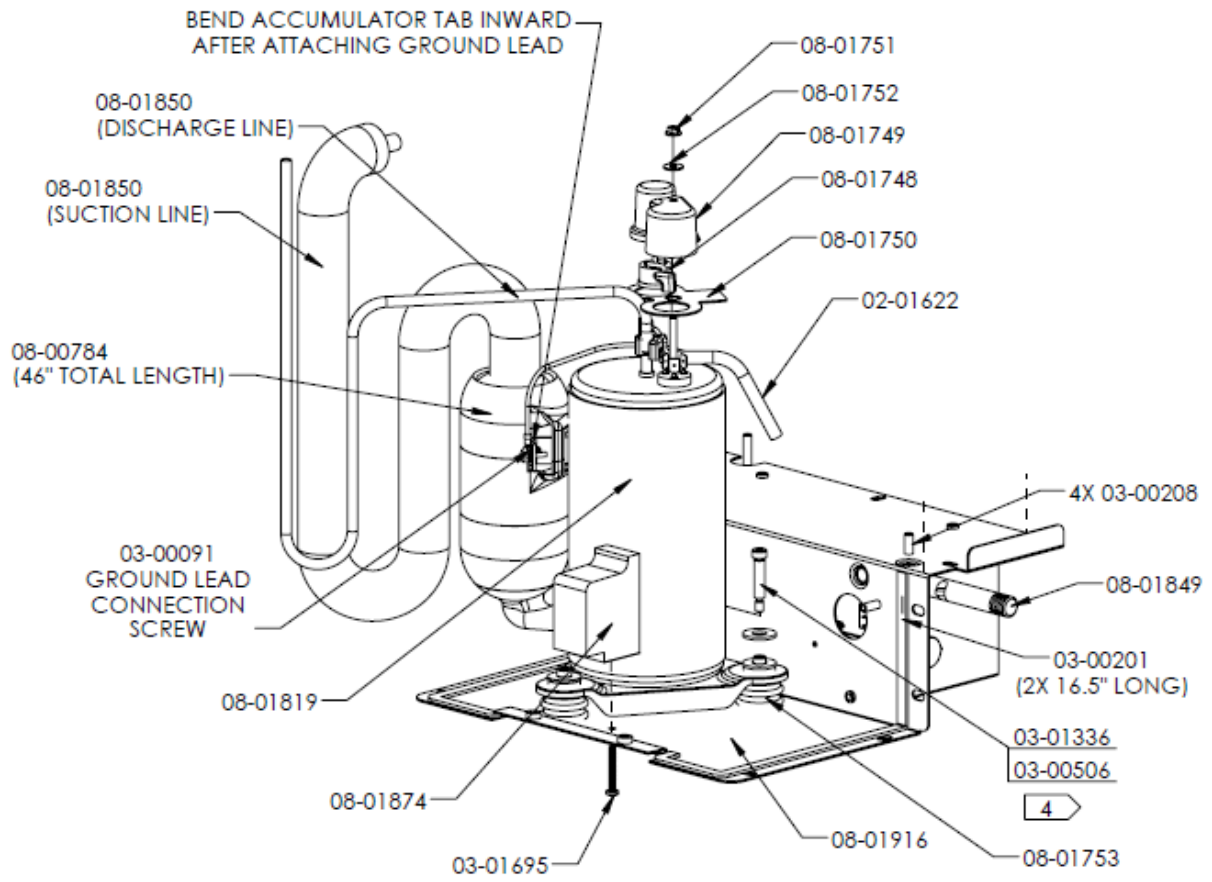
LGR145XLi





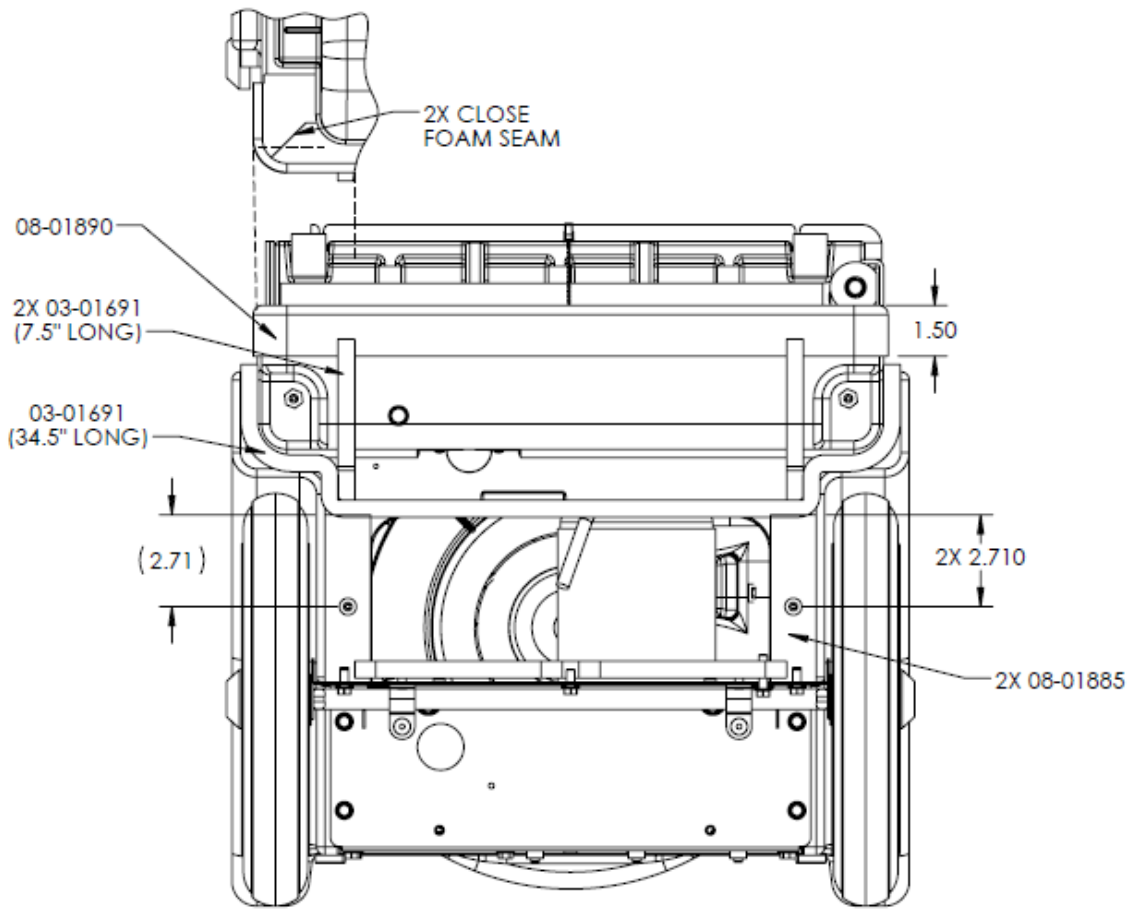
BLOWER SHROUD ASSEMBLY DETAIL

<i>PART NO.</i>	<i>QTY</i>	<i>DESCRIPTION</i>
02-01790	1	BLOWER ASSY – MOTORIZED IMPELLER 115V 215W 225M
03-00013	4	WASHER – 11/16 OD X 11/32 ID X .06 ZP
03-00030	3	RIVET – 3/16 X 1/2 AL/AL BLK ANOD
03-00201	1	43" LONG GASKET - .375 X .125 CLOSED CELL NEOPRENE/ VINYL/ NITRILE PSA
03-00202	5	FOOT – ROUND PUSH MOUNT .83 OD X .24 RUBBER BLK
03-00204	4	RIVET – 3/16 X 5/8 TRI FOLD AL/AL
03-00771	1	PUSH MOUNT – NYLON TIE
03-01463	4	CABLE TIE – 6 NYLON
03-01608	10	SCREW - #10 X .625 PHP ZP
03-01675	4	SCREW – M4 X 8MM PHP ZP
04-01486	1	GRILL – OUTLET 230V PC GL BLK LGR 7000XLI
08-01736	1	FAN SHROUD – MOTORIZED IMPELLER ABS BLK
08-01740	1	BRACKET – MOTORIZED IMPELLER GALV STL
08-01854	1	DUCT RING – 12 DIA ABS BLK
08-01911	1	SENSOR CABLE ASSY – SPLIT MICRO CONTROLLER TEMP DEFROST DEHUS

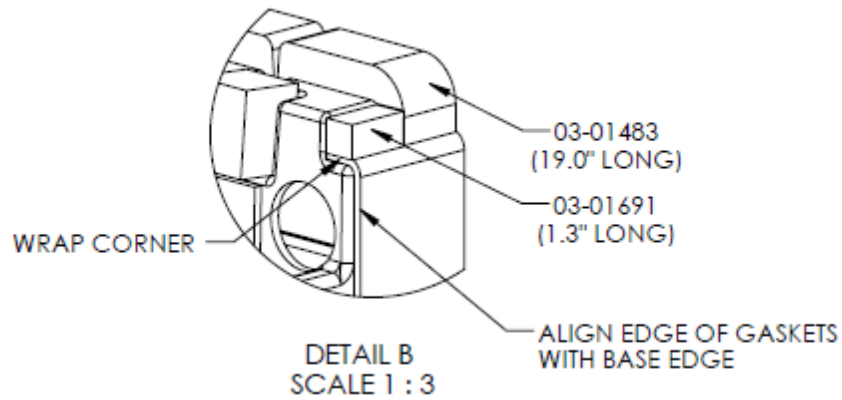


COMPRESSOR ASSEMBLY DETAIL

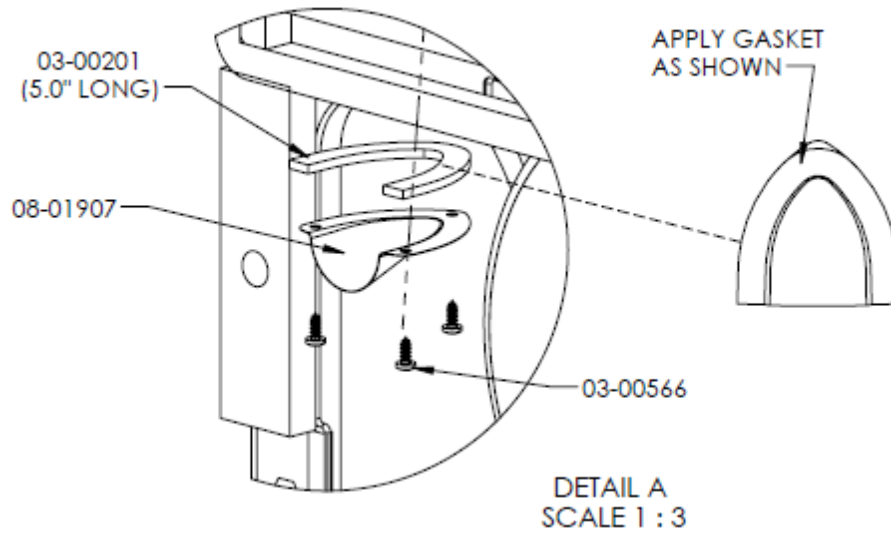
<i>PART NO.</i>	<i>QTY</i>	<i>DESCRIPTION</i>
02-01622	1	CORD SET - COMPRESSOR
03-00091	1	SCREW - #10-24 X 3/8 SER HWH ZP
03-00201	2	16.5" GASKET - .375 X .125 CLOSED CELL NEOPRENE/VINYL/NITRILE PSA
03-00208	4	RIVET – 1/4 X 1/4 STL/STL ZP 8-4
03-00506	3	WASHER – 3/8 USS .43 ID X 1.0 OD X .08 ZP
03-01336	3	BOLT – SHOULDER 5/16-18 X 3/8 X 1.25
03-01695	1	SCREW - #10 X 1.5 PHP ZP
08-00784	1	46" LONG INSULATION – CORK TAPE 2 X .13
08-01748	1	OVERLOAD – COMPRESSOR 115V LG 8600-R410A
08-01749	1	COVER – COMPRESSOR TERMINAL – 115V LG 8600-R410A
08-01750	1	GASKET – COMPRESSOR TERMINAL – 115V LG 8600-R410A
08-01751	1	NUT – COMPRESSOR TERMINAL – 115V LG 8600-R410A
08-01752	1	WASHER – COMPRESSOR TERMINAL – 115V LG 8600-R410A
08-01753	3	VIBRATION – MOUNT – COMPRESSOR 115V LG 8600-R410A
08-01819	1	COMPRESSOR – ROTARY 115V 10150 BTU R410A
08-01849	1	AXLE – ASSEMBLY – 1/2 OD ZP STL LGR 7000XLi
08-01850	1	REFRIGERATION LINES – 115V LGR 7000XLi (DISCHARGE LINE)
08-01850	1	REFRIGERATION LINES – 115V LGR 7000XLi (SUCTION LINE)
08-01874	1	SUPPORT – BLOWER SHROUD
08-01916	1	BASE – GALV STL LGR 7000XLi



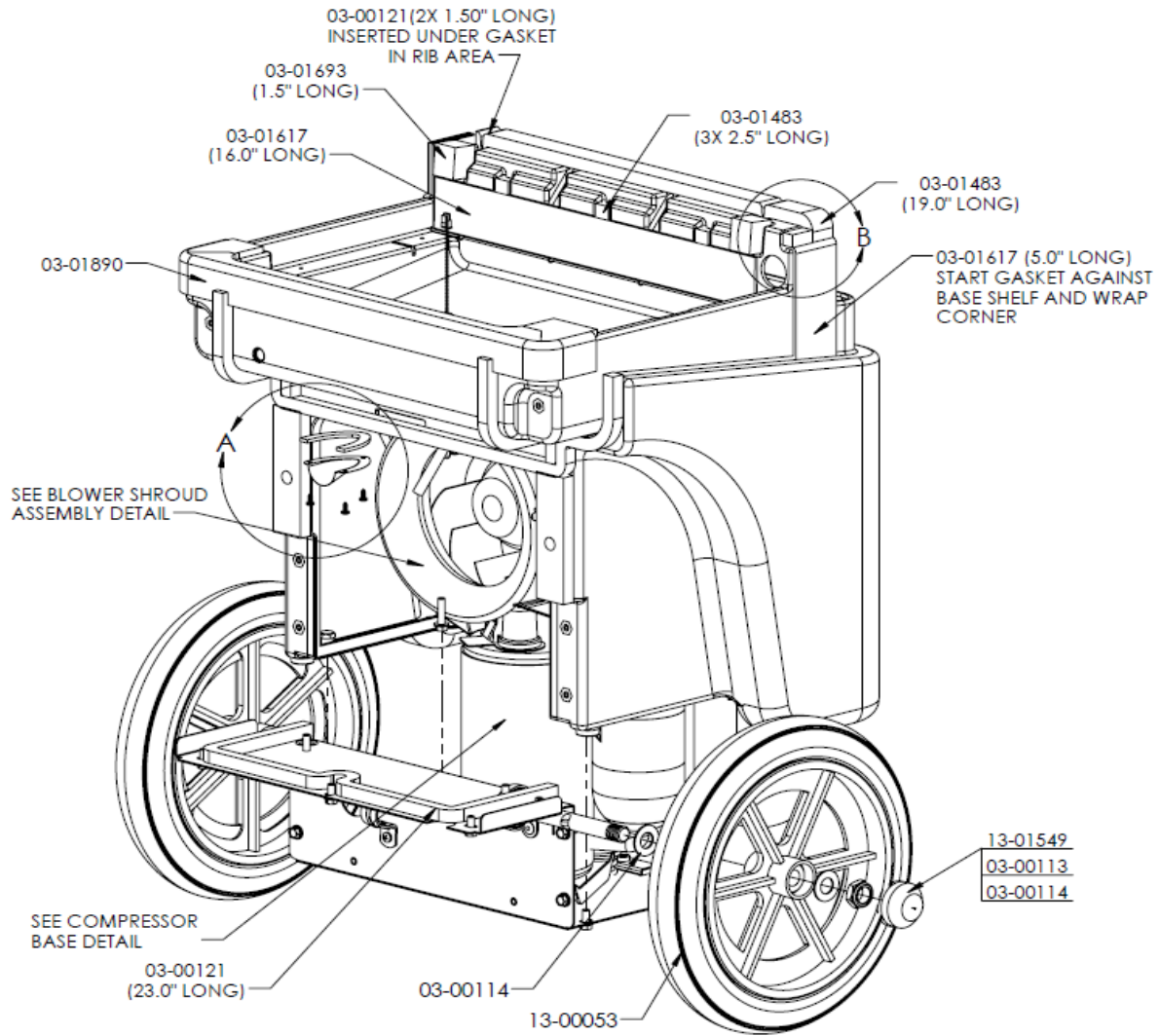
<i>PART NO.</i>	<i>QTY</i>	<i>DESCRIPTION</i>
03-01691	2	7.5" LONG GASKET – 1/2 X 1/2 PVC PSA
03-01691	1	34.5 " LONG GASKET – 1/2 X 1/2 PVC PSA
08-01885	2	2.710" LONG GASKET – BASE VERTICAL PVC PSA
08-01890	1	GASKET – BASE BACK SHELF NEOPRENE PSA



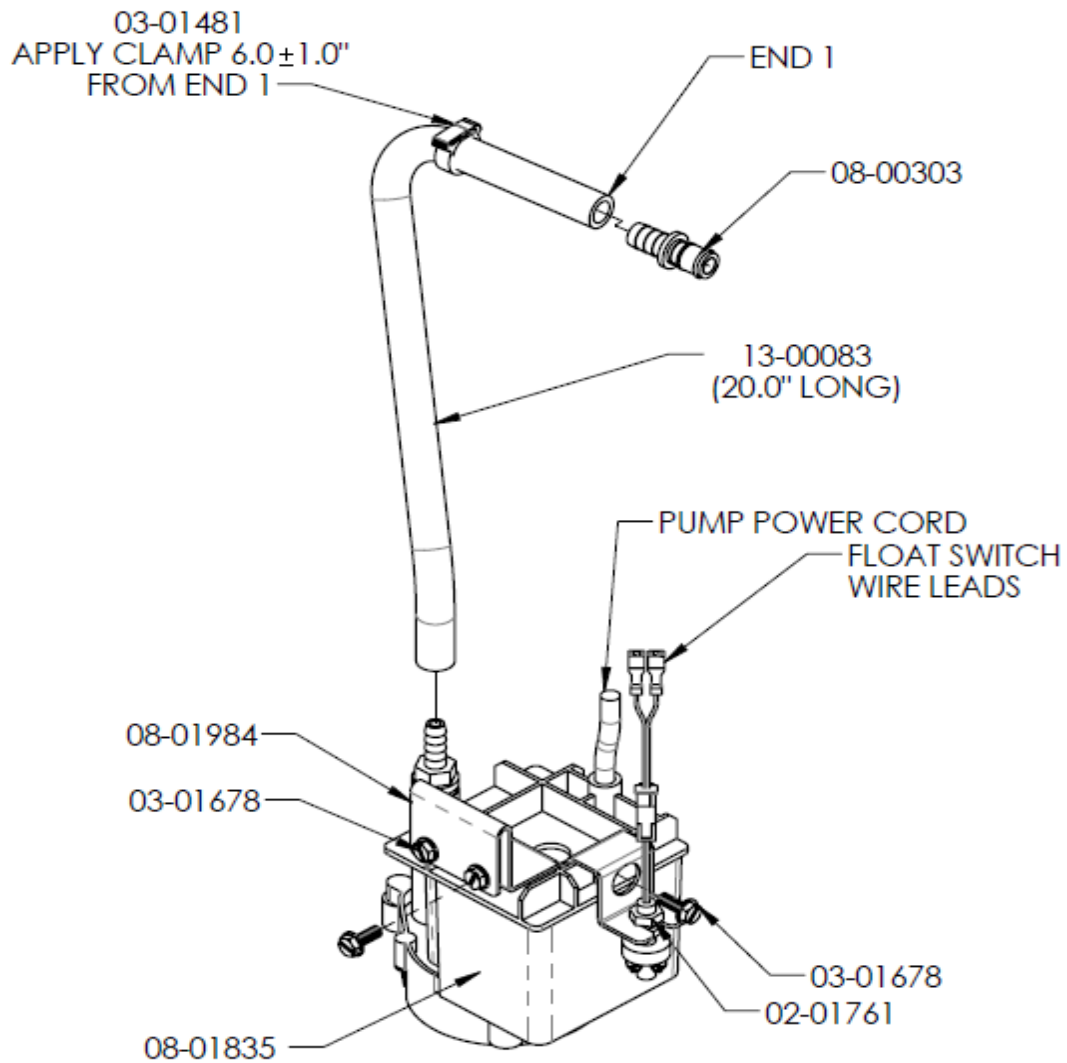
<i>PART NO.</i>	<i>QTY</i>	<i>DESCRIPTION</i>
03-01483	1	19" LONG GASKET – 1 X 1/2 POLYURETHANE PSA
03-01691	1	1.3" LONG 1/2 X 1/2 PVC PSA



<i>PART NO.</i>	<i>QTY</i>	<i>DESCRIPTION</i>
03-00201	1	5" LONG GASKET - .375 X .125 CLOSED CELL NEOPRENE/VINYL/NITRILE PSA
03-00566	3	SCREW - #6 X 3/8 PHIL PH ZP
08-01907	1	DRAIN SPOUT – MIDGET VENT SS

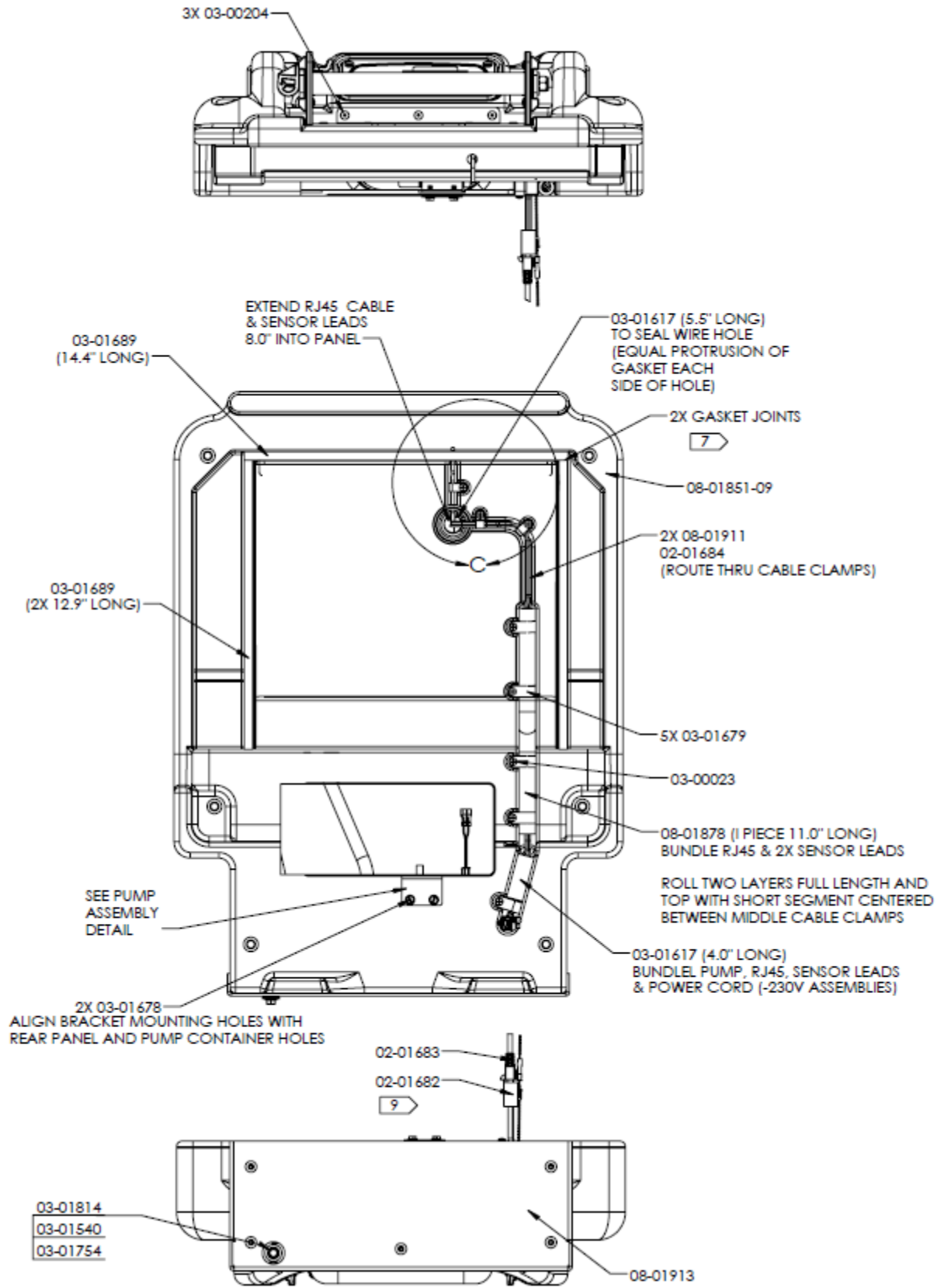


PART NO.	QTY	DESCRIPTION
03-00113	2	NUT – 5/8-11 UNC THIN ZP
03-00114	4	WASHER – 5/8 AN .63 ID X 1.187 OD X .06 SS
03-00121	2	1.5" LONG GASKET – 1/2 X 1/2 POLYURETHANE PSA
03-00121	1	23" LONG GASKET – 1/2 X 1/2 POLYURETHANE PSA
03-01483	3	2.5" LONG GASKET – 1 X 1/2 POLYURETHANE PSA
03-01483	1	19" LONG GASKET – 1 X 1/2 POLYURETHANE PSA
03-01617	1	5" LONG GASKET – 2.00 X 1.25 EPDM PSA
03-01617	1	16" LONG GASKET – 2.00 X 1.25 EPDM PSA
03-01693	1	1.5" LONG GASKET – 1 X 1 POLYURETHANE PSA
08-01890	1	GASKET – BASE BACK SHELF NEOPRENE PSA
13-00053	2	WHEEL – 12 X 2 X 5/8 BORE BLK
13-01549	2	DUST CAP – 12 OD WHEEL NYLON BLK

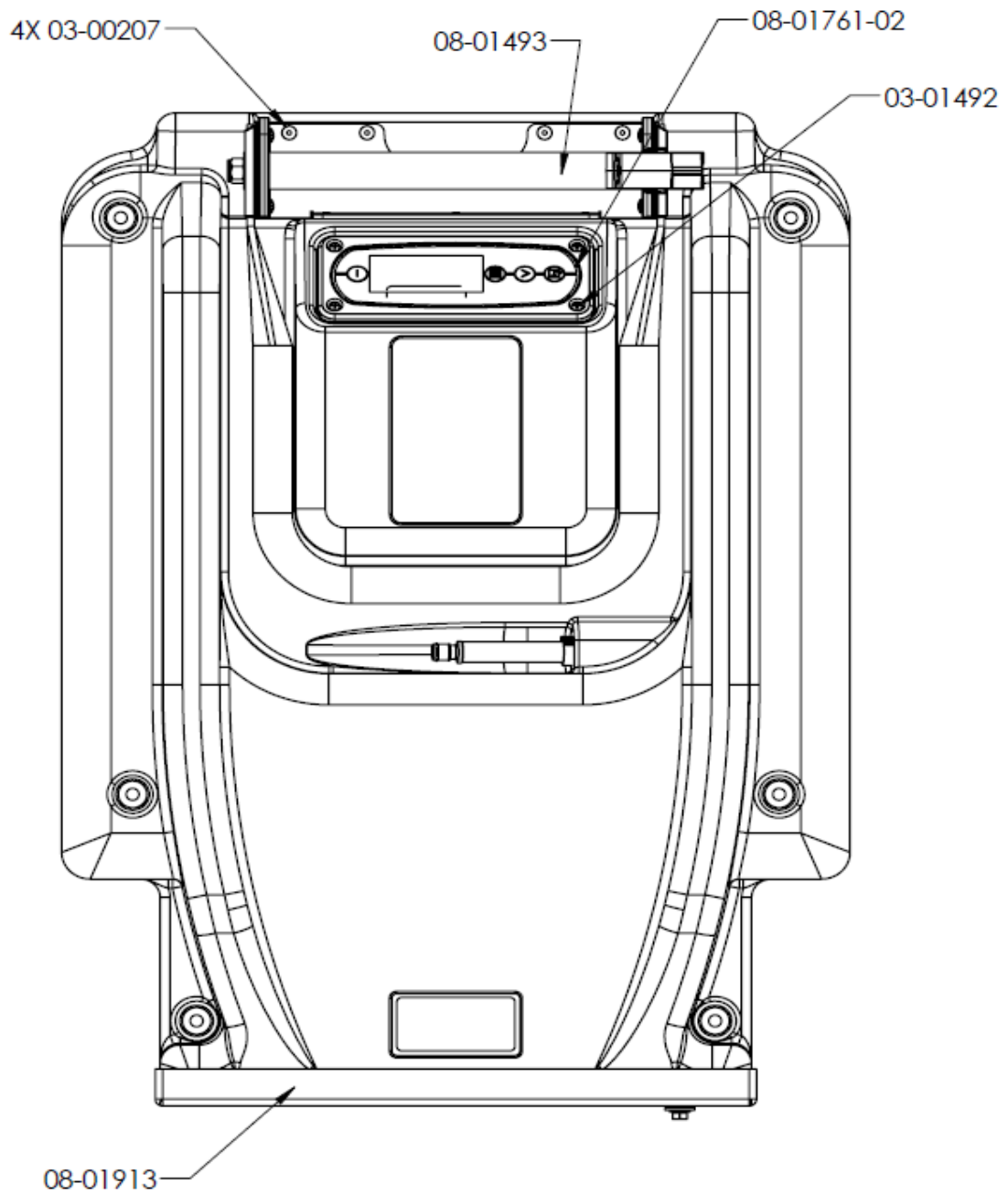


PUMP ASSEMBLY DETAIL

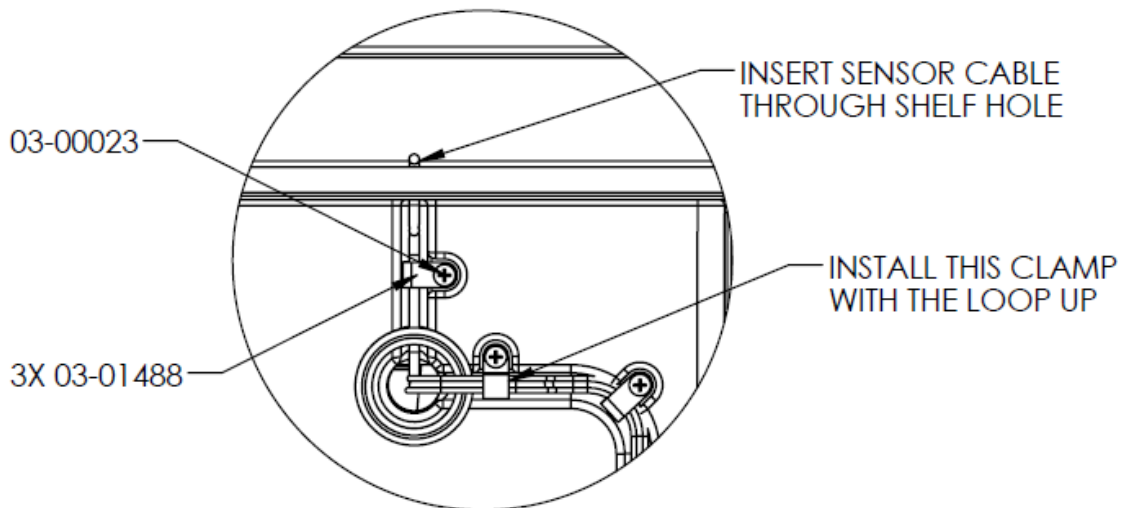
<i>PART NO.</i>	<i>QTY</i>	<i>DESCRIPTION</i>
02-01761	1	SWITCH – SPLIT MAGNETIC FLOAT
03-01481	1	CLAMP – HOSE 1/2 DIA BLK
03-01678	1	SCREW - #10-32 X 1/2 TC HWH SS
08-00303	1	FITTING – QUICK DISCONNECT INSERT 3/8 BARB
08-01835	1	PUMP – SUBMERSIBLE 115V 1.3 GPM 4FT CORD
08-01984	1	BRACKET – MOUNTING PUMP & OVERFLOW SWITCH REVOLUTION LGR
13-00083	1	20" LONG TUBING – 3/8 ID X 5/8 OD BRAIDED PVC



<i>PART NO.</i>	<i>QTY</i>	<i>DESCRIPTION</i>
02-01682	1	CONNECTOR – FEED THRU COUPLER CAT 5E
02-01683	1	CABLE ASSY – BLUE PATCH CAT 5E 2FT
02-01684	1	CABLE – ASSY – BLUE PATCH CAT 5E 3FT
03-00023	5	SCREW - #8 X 1/2 PHIL PH ZP
03-00204	3	RIVET – 3/16 X 5/8 TRI FOLD AL/AL
03-01540	1	WASHER – 1/4 USS .31 ID X .75 OD X .06 ZP
03-01617	1	4” LONG GASKET – 2.0 X 1.25 EPDM PSA
03-01617	1	5.5” LONG GASKET – 2.0 X 1.25 EPDM PSA
03-01678	2	SCREW - #10-32 X 1/2 TC HWH SS
03-01679	5	CLAMP - CABLE 5/8 NYLON BLK
03-01689	2	12.9” LONG GASKET – D .375 X .437 D EPDM PSA
03-01689	1	14.4” LONG GASKET – D .375 X .437 D EPDM PSA
03-01754	1	WELL NUT – 1/4-20 RUBBER
03-01814	1	SCREW – 1/2-20 X 1.0 SLT HWH NYLON
08-01878	1	11” LONG INSULATION – PIPE .38 ID X .25 WALL NITRILE RUBBER
08-01911	2	SENSOR CABLE ASSY – SPLIT MICRO CONTROLLER TEMP DEFROST DEHUS
08-01913	1	GASKET – BACK PANEL BOTTOM PVC PSA

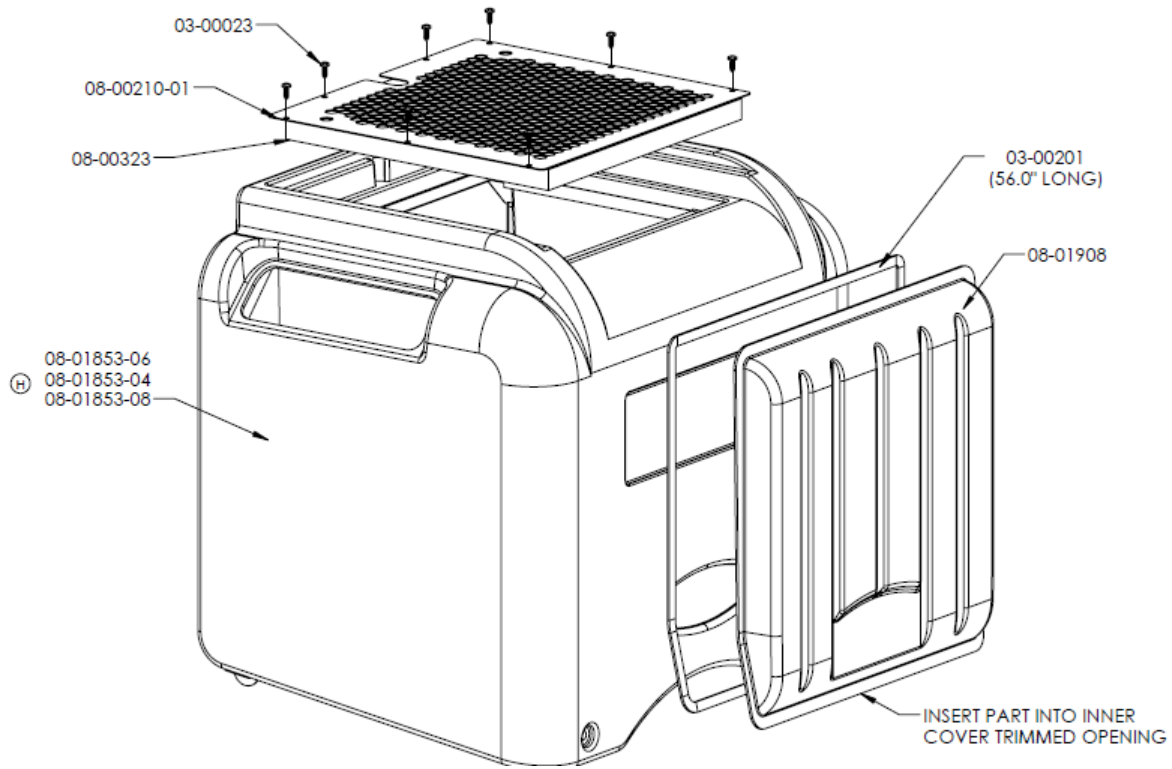


<i>PART NO.</i>	<i>QTY</i>	<i>DESCRIPTION</i>
03-00207	4	RIVET – 3/16 X 3/8 TRI FOLD AL/AL
03-01492	4	SCREW - #6 X 1/2 AB PHP ZP
08-01493	1	HANDLE ASSY - EVOLUTION
08-01761-02	1	CONTROL PANEL ASSY – MEMBRANE TOUCH PAD CONTROL 2 SP W/O WIRELESS & RH SENSOR 115/230V
08-01913	1	GASKET – BACK PANEL BOTTOM PVC PSA

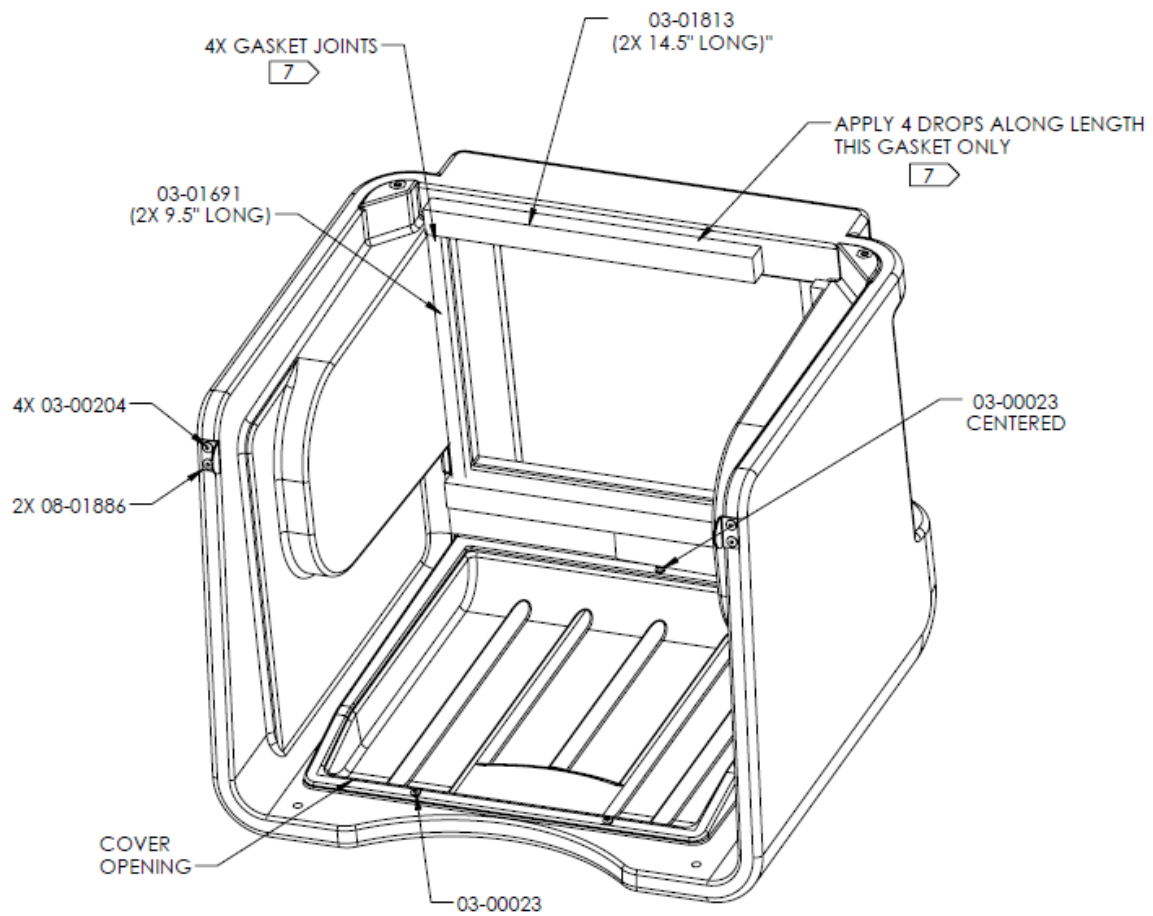


DETAIL C
SCALE 1 : 4

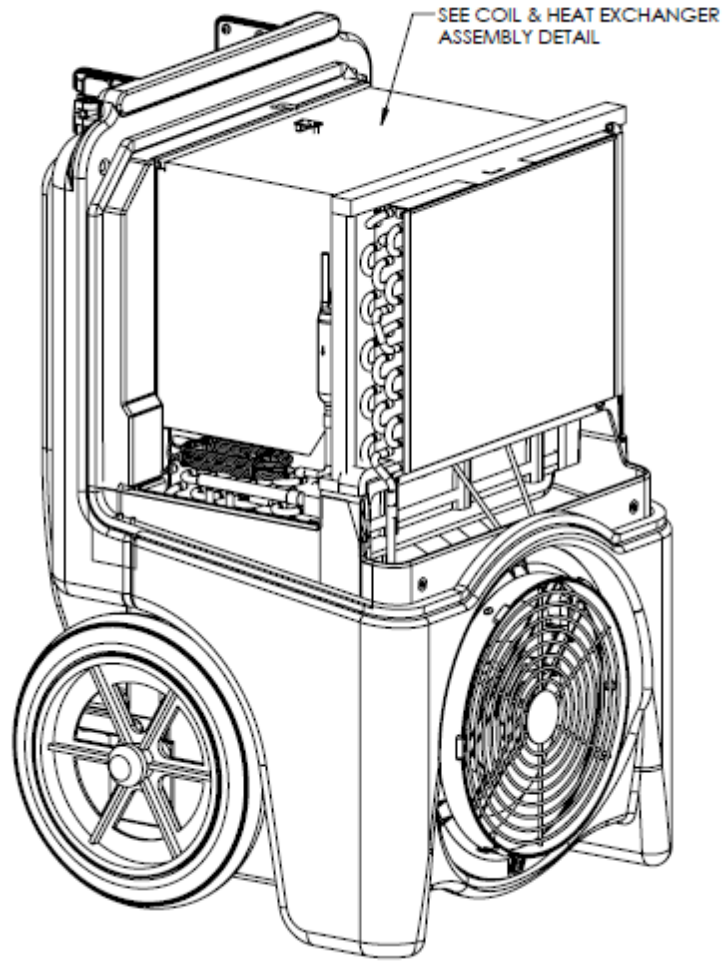
<i>PART NO.</i>	<i>QTY</i>	<i>DESCRIPTION</i>
03-00023	3	SCREW - #8 X 1/2 PHIL PH ZP
03-01488	3	CLAMP - CABLE .38 WIDE X .25 ID NYLON BLK

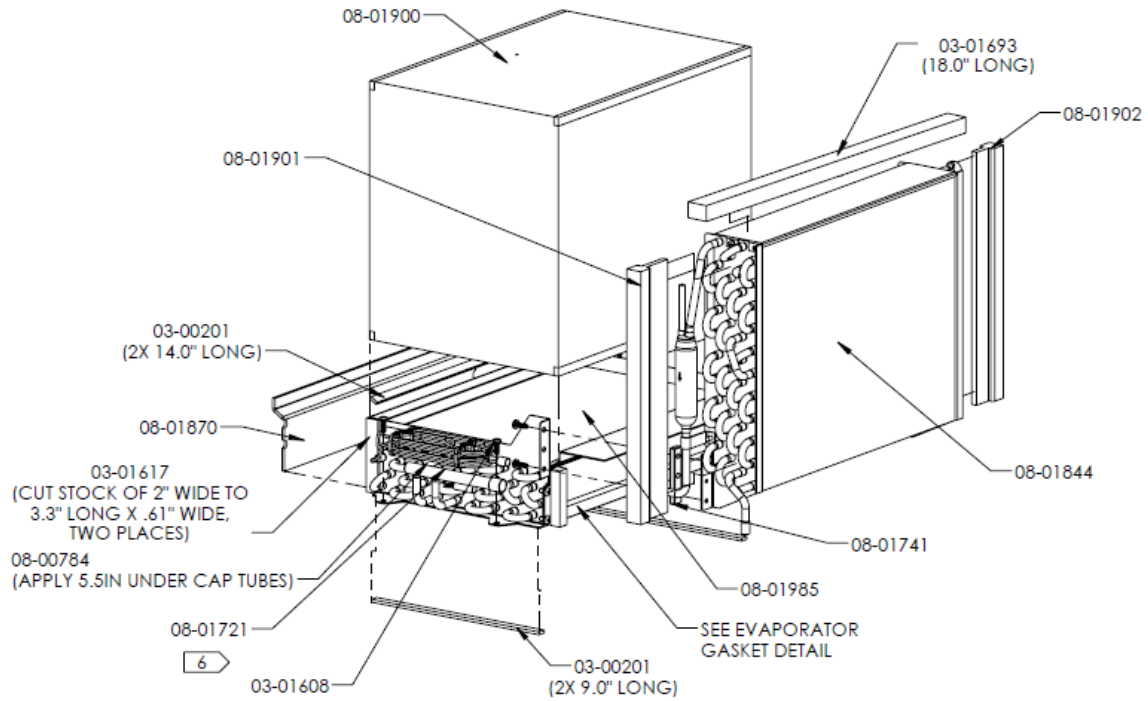


<i>PART NO.</i>	<i>QTY</i>	<i>DESCRIPTION</i>
03-00023	8	SCREW - #8 X 1/2 PHIL PH ZP
03-00201	1	56"LONG GASKET - .375 X .125 CLOSED CELL NEOPRENE/VINYL/NITRILE PSA
08-00210-01	1	FILTER SHROUD – PC WR BLK DZ 1200
08-00323	1	FILTER – 11.75 X 11.75 X .79 ELECTROSTATIC GREEN
08-01853-04	1	COVER – POLYETHYLENE LGR 7000XLi BURGUNDY RED
08-01853-06	1	COVER – POLYETHYLENE LGR 7000XLi REIN ORANGE
08-01853-08	1	COVER – POLYETHYLENE LGR 7000XLi BRIGHT RED

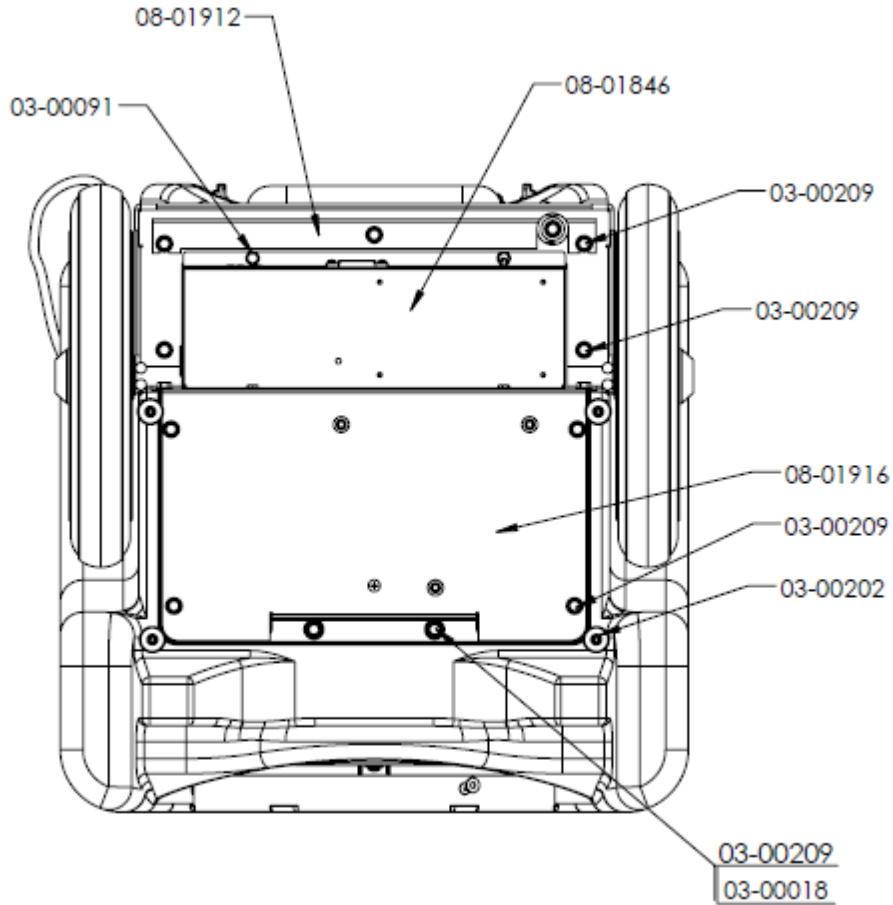


<i>PART NO.</i>	<i>QTY</i>	<i>DESCRIPTION</i>
03-00023	3	SCREW - #8 X 1/2 PHIL PH ZP
03-00204	4	RIVET - 3/16 X 5/8 TRI FOLD AL/AL
03-01691	2	9.5" LONG GASKET - 1/2 X 1/2 PVC PSA
03-01813	2	14.5" LONG GASKET - 3/4 X 1 WIDE POLYETHER PSA
08-01886	2	BRACKET - COVER CORNER CLIP SS LGR 7000XLi

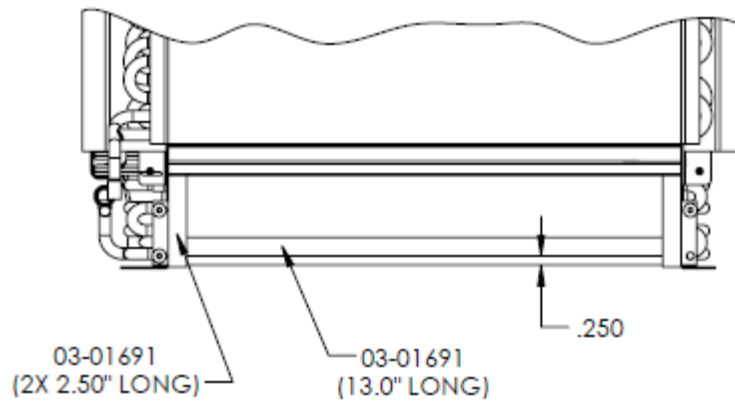




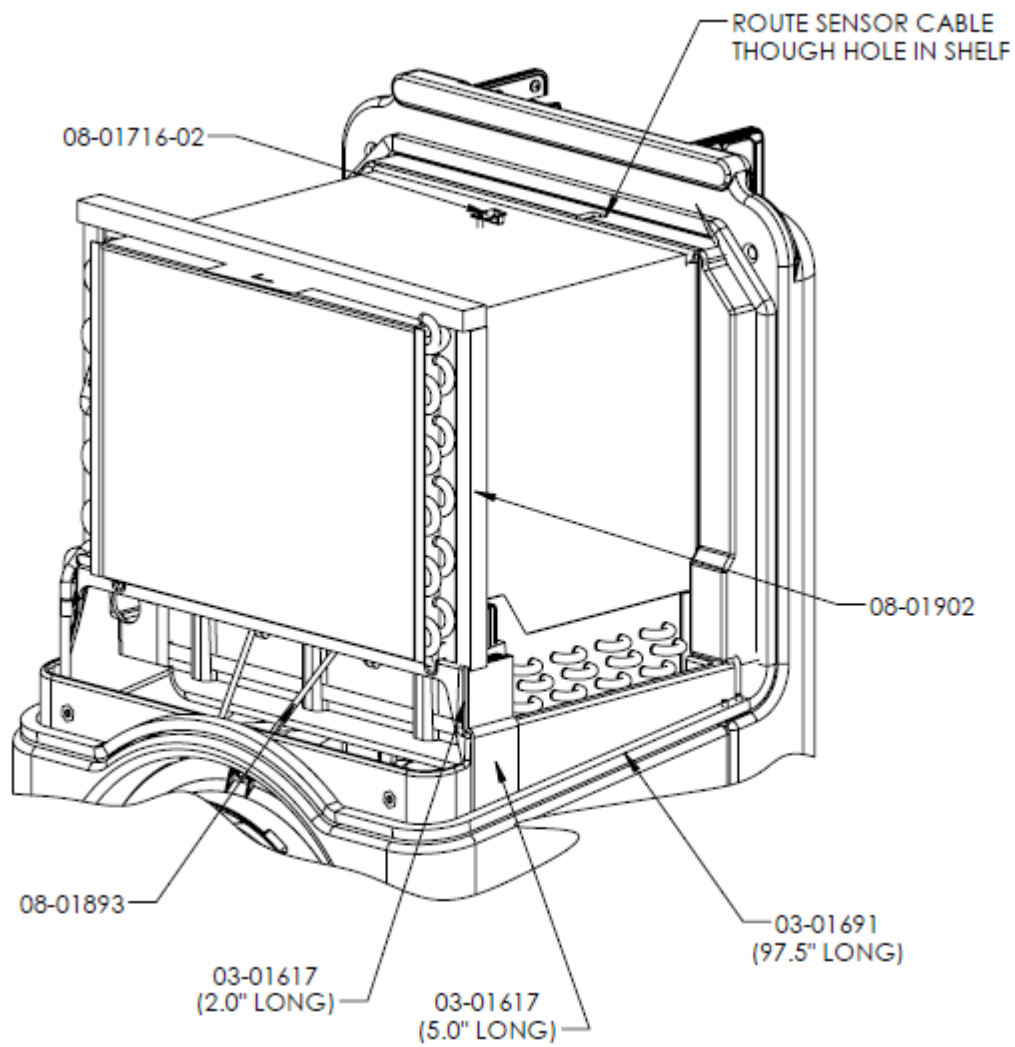
PART NO.	QTY	DESCRIPTION
03-00201	2	9.0" LONG GASKET - .375 X .125 CLOSED CELL NEOPRENE /VINYL/NITRILE PSA
03-00201	2	14.0" LONG GASKET - .375 X .125 CLOSED CELL NEOPRENE /VINYL/NITRILE PSA
03-01608	4	SCREW - #10 X .625 PHP ZP
03-01617	1	GASKET - 2.00 X .125 EPDM
03-01693	1	GASKET - 1 X 1 POLYURETHANE PSA
08-00784	1	5.5" LONG INSULATION - CORK TAPE 2 X .13
08-01721	1	SENSOR CABLE ASSY - MICRO CONTROLLER TEMP DEFROST DEHUS
08-01741	2	INSULATOR - ABS BLK
08-01844	1	COIL ASSY - CONDENSER 410A LGR 7000XLi
08-01870	1	GASKET - COIL FRONT FLANGE
08-01900	1	ASSEMBLY - HEAT EXCHANGER END PANEL FLIP
08-01901	1	BULKHEAD - CONDENSER SHROUD LS
08-01902	1	BULKHEAD - CONDENSER SHROUD RS
08-01985	1	COIL ASSY - EVAPORATOR F532



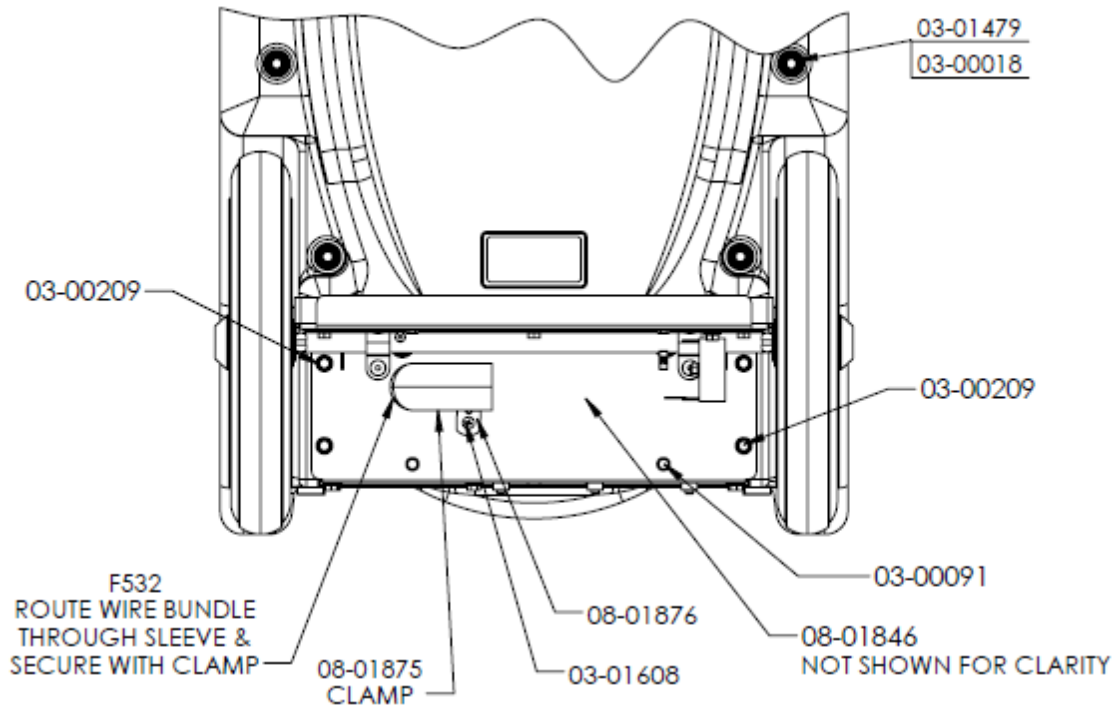
<i>PART NO.</i>	<i>QTY</i>	<i>DESCRIPTION</i>
03-00018	2	WASHER - 1/4 SAE .281 ID X .625 OD X .06 ZP
03-00091	5	SCREW - #10-24 X 3/8 SER HWH ZP
03-00202	4	FOOT - ROUND PUSH MOUNT .83 OD X .24 RUBBER BLK
03-00209	11	SCREW - 1/4-20 X 1/2 SER HWH NYLOC ZP
08-01846	1	BOX - ELECTRICAL
08-01912	1	BRACKET - BACK PANEL FLANGE GALV STL LGR 7000XLi
08-01916	1	BASE - GALV STL LGR 7000XLi



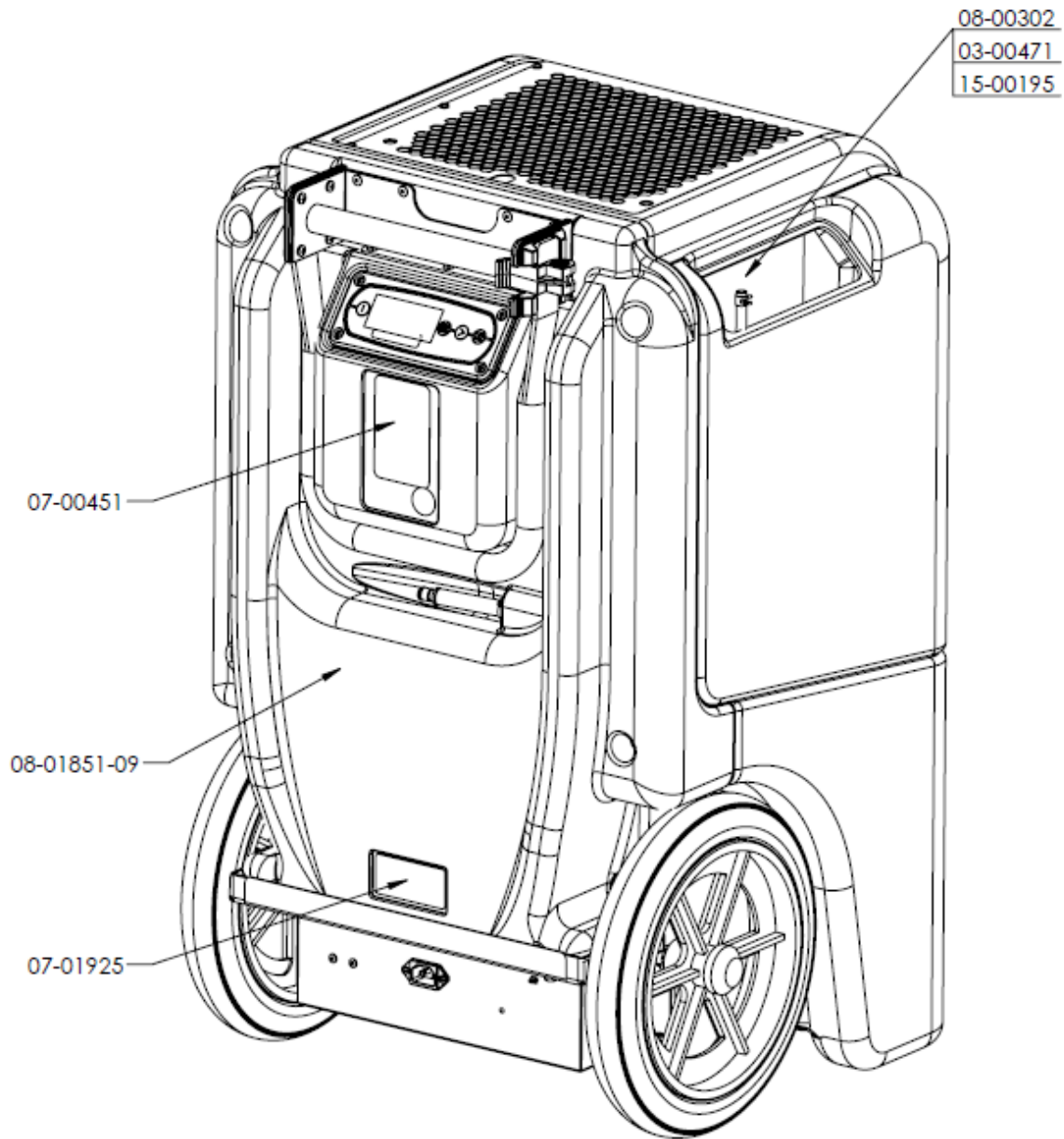
<i>PART NO.</i>	<i>QTY</i>	<i>DESCRIPTION</i>
03-01691	2	2.5" LONG GASKET – 1/2 X 1/2 PVC PSA
03-01691	1	13" LONG GASKET – 1/2 X 1/2 PVC PSA



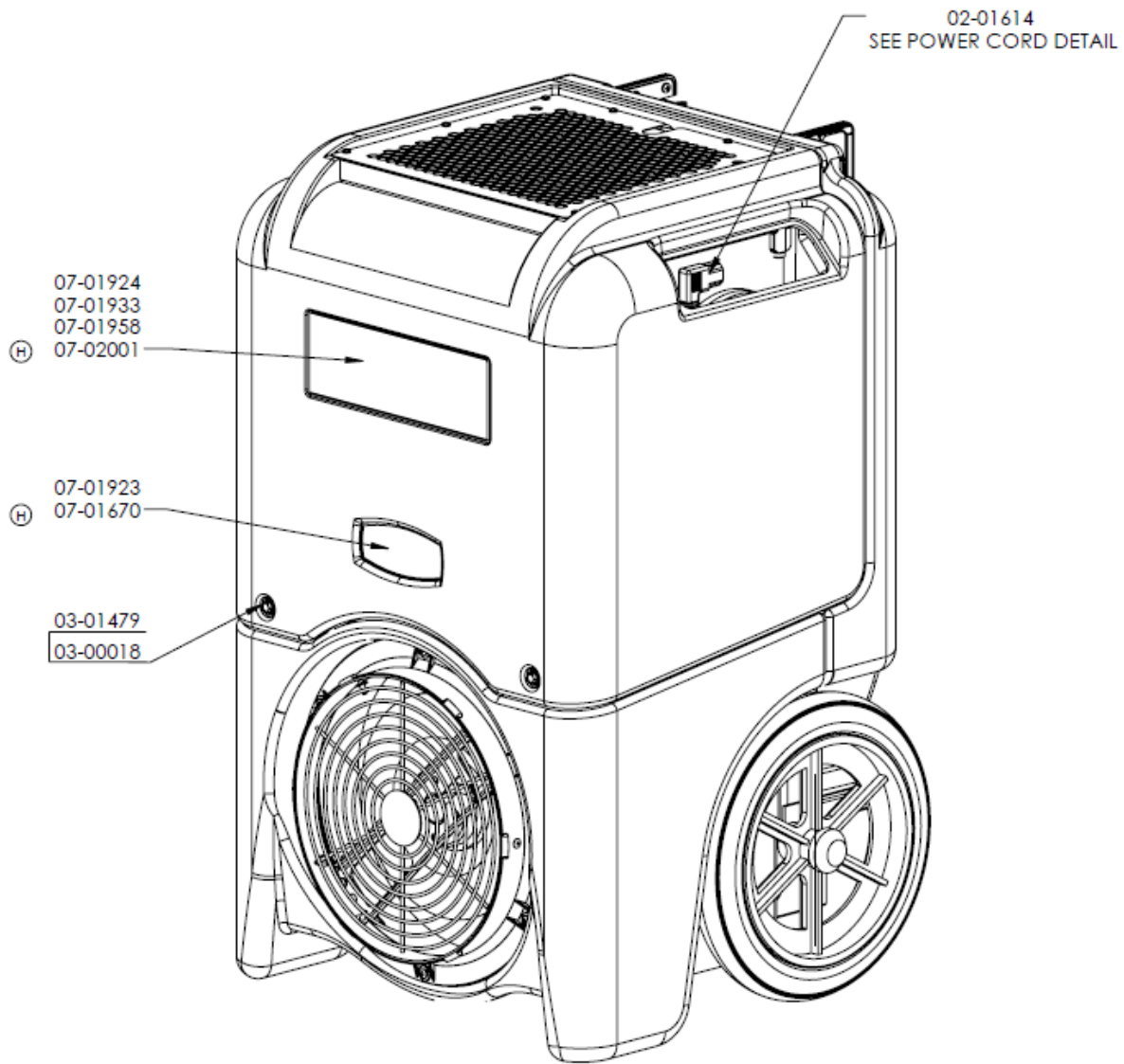
<i>PART NO.</i>	<i>QTY</i>	<i>DESCRIPTION</i>
03-01617	1	2" LONG GASKET – 2.0 X .125 EPDM PSA
03-01617	1	5" LONG GASKET – 2.0 X .125 EPDM PSA
03-01691	1	97.5" LONG GASKET – 1/2 X 1/2 PVC PSA
08-01716-02	1	SENSOR ASSY – TEMP/RH
08-01893	1	SUPPORT – DRIP TRAY DUCT RING
08-01902	1	BULK HEAD – CONDENSER SHROUD RS



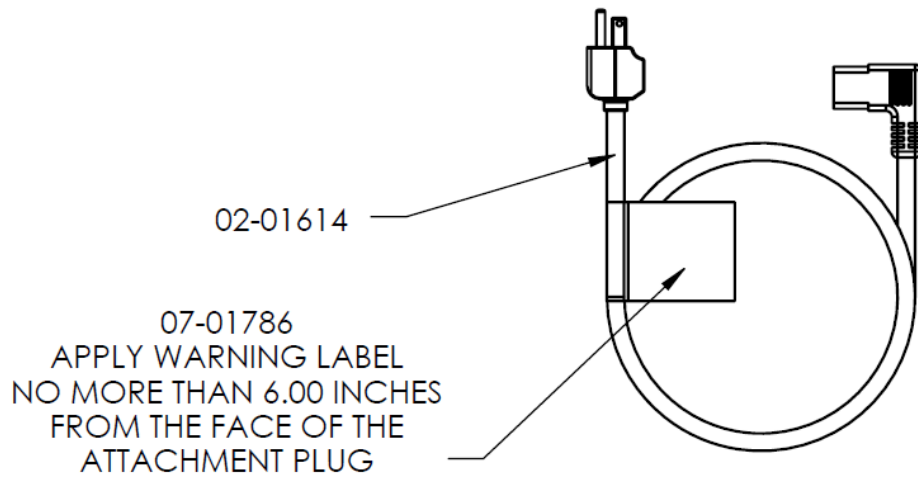
<i>PART NO.</i>	<i>QTY</i>	<i>DESCRIPTION</i>
03-00018	4	WASHER – 1/4 SAE .281 ID X .625 OD X .06 ZP
03-00091	2	SCREW - #10-24 X 3/8 SER HWH ZP
03-00209	4	SCREW – 1/420 X 1/2 SER HWH NYLOC ZP
03-01479	4	SCREW – 1/4-20 X 1.25 SER HWH ZP
03-01608	1	SCREW - #10 X .625 PHP ZP
08-01846	1	BOX - ELECTRICAL
08-01875	1	GROMMET – 90 DEGREE FOAM
08-01876	1	CLAMP - .75 HW ONE HOLE



<i>PART NO.</i>	<i>QTY</i>	<i>DESCRIPTION</i>
03-00471	1	CLAMP – HOSE 3/8 IDA SPRING STL GRN
08-00302	1	FITTING – QUICK DISCONNECT BODY 1/4 BARB
07-00451	1	LABEL – WARNING ANSI EVOLUTION
08-01851-09	1	BACK PANEL – POLYETHYLENE LGR 7000Xi FLINT GRAY
15-00195	1	40FT TUBE – 1/4 ID X 3/8 OD VINYL

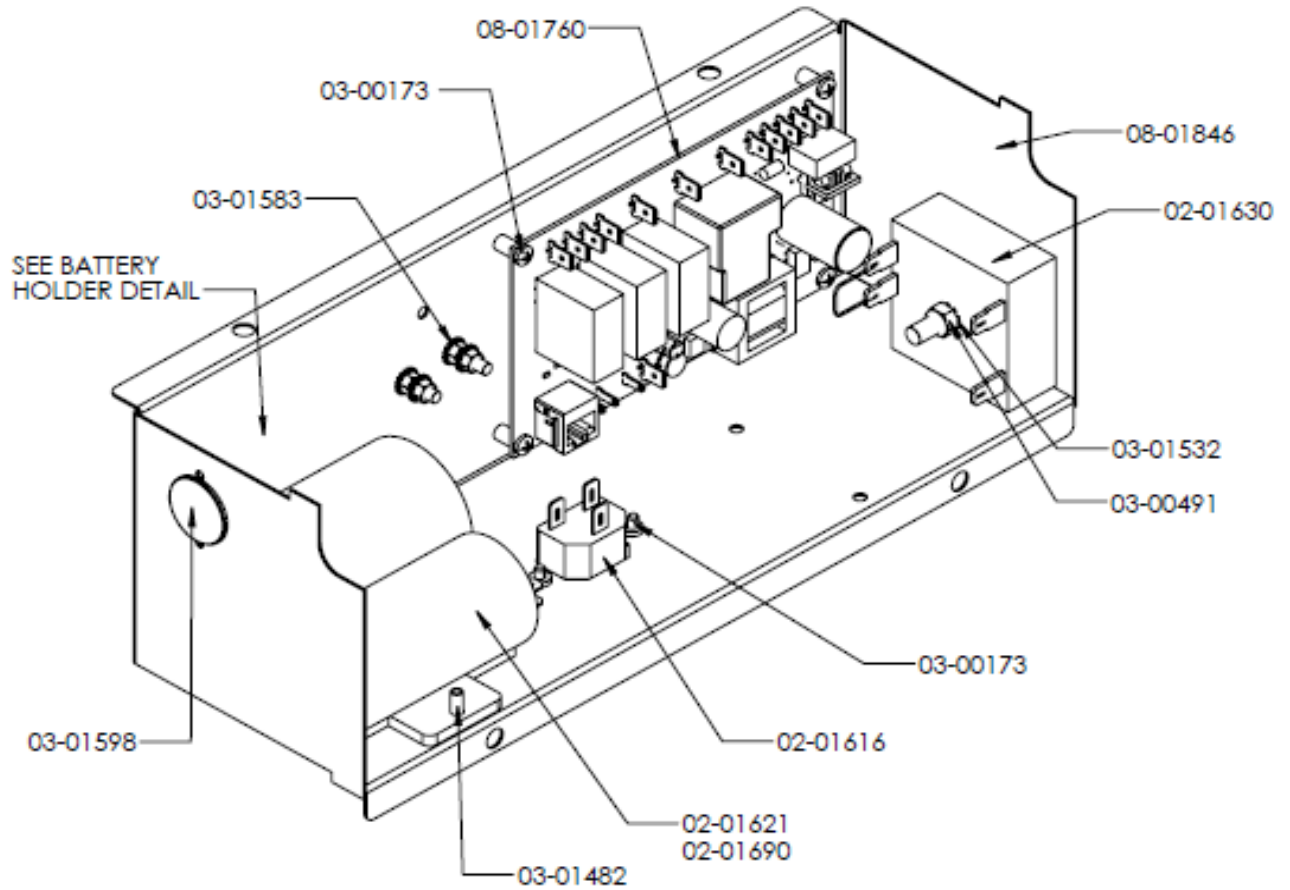


<i>PART NO.</i>	<i>QTY</i>	<i>DESCRIPTION</i>
02-01614	1	POWER CORD ASSY – 14/3 SJT NEMA 5-15P/IEC C13 25FT
03-00018	2	WASHER – 1/4-20 SAE .281 ID X .625 OD X .06 ZP
03-01479	2	SCREW – 1/4-20 X 1.25 SER HWH ZP
07-01670	1	LABEL - BADGE
07-01923	1	LABEL – BADGE ARAMSCO
07-01924	1	LABEL – PRODUCT ARAMSCO
07-01933	1	LABEL – PRODUCT LGR PAUL DAVIS
07-01958	1	LABEL – PRODUCT LGR 145 DKI
07-02001	1	LABEL – PRODUCT LGR 145Xi PUROSYSTEMS

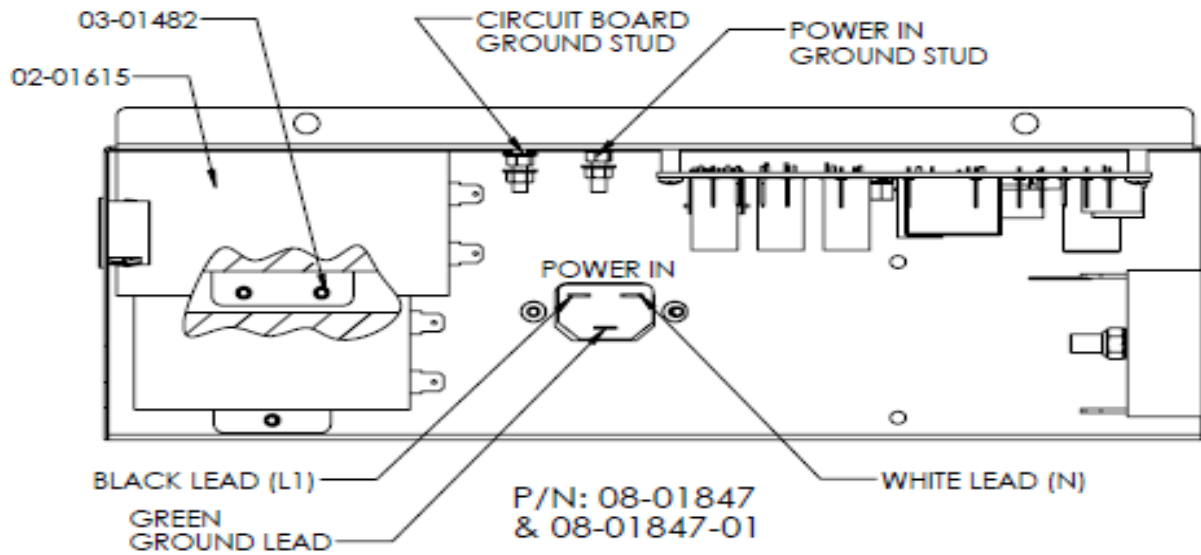


<i>PART NO.</i>	<i>QTY</i>	<i>DESCRIPTION</i>
02-01614	1	POWER CORD ASSY – 14/3 SJT NEMA 5-15P/IEC C13 25FT
07-01786	1	LABEL – WARNING POWER CORD DEHUS

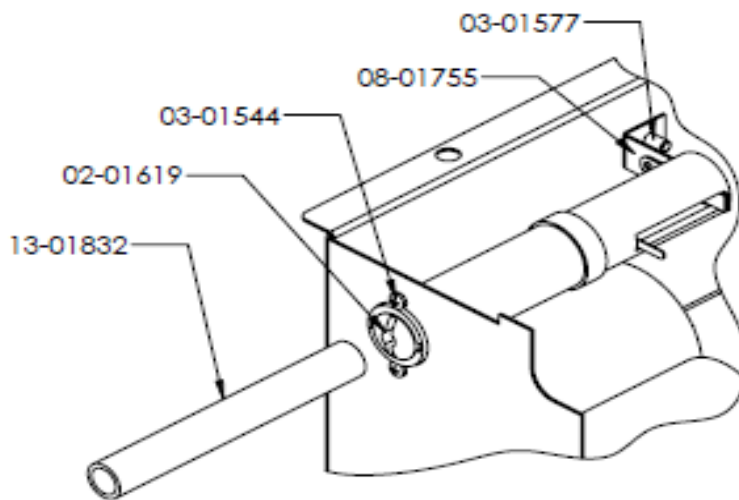
ELECTRICAL BOX ASSEMBLY DETAIL



<i>PART NO.</i>	<i>QTY</i>	<i>DESCRIPTION</i>
02-01616	1	RECEPTACLE – INLET IEC 320 W/MTG BRKT
02-01621	1	CAPACITOR – 20MFD 370V 1.56 DIA ROUND W/MTG BRKT
02-01630	1	SPEED – CONTROLLER – 120V 50/60 HZ
02-01690	1	CAPACITOR – 16MFD 250V W/MTG BRKT
03-00173	6	SCREW - #6-32 X 3/8 PHIL PH ZP
03-01482	1	RIVET – 5/32 X 3/8 AL/AL ANOD
03-01532	1	WASHER - #10ANSI EXTERNAL TOOTH ZP
03-01583	4	NUT - #8-32 W/STAR WASHER ZP
03-01598	1	PLUG – HOLE .88 DIA X .25 NYLON BLK
08-01760	1	CIRCUIT BOARD ASSY – HIGH VOLTAGE 2 SP
08-01846	1	BOX - ELECTRICAL

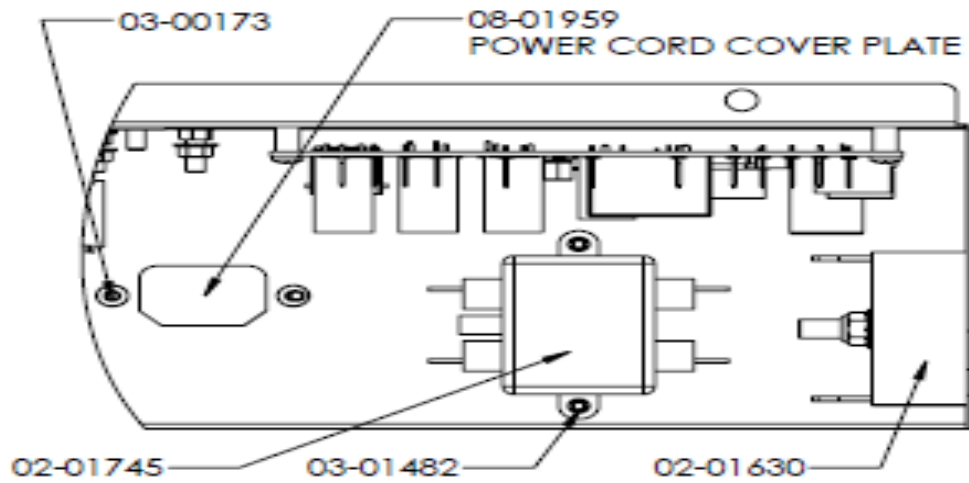


PART NO.	QTY	DESCRIPTION
02-01615	1	CAPACITOR – 55MFD 370V 1.75 DIA ROUND W/MTG BRKT
03-01482	2	RIVET – 5/32 X 3/8 AL/AL ANOD



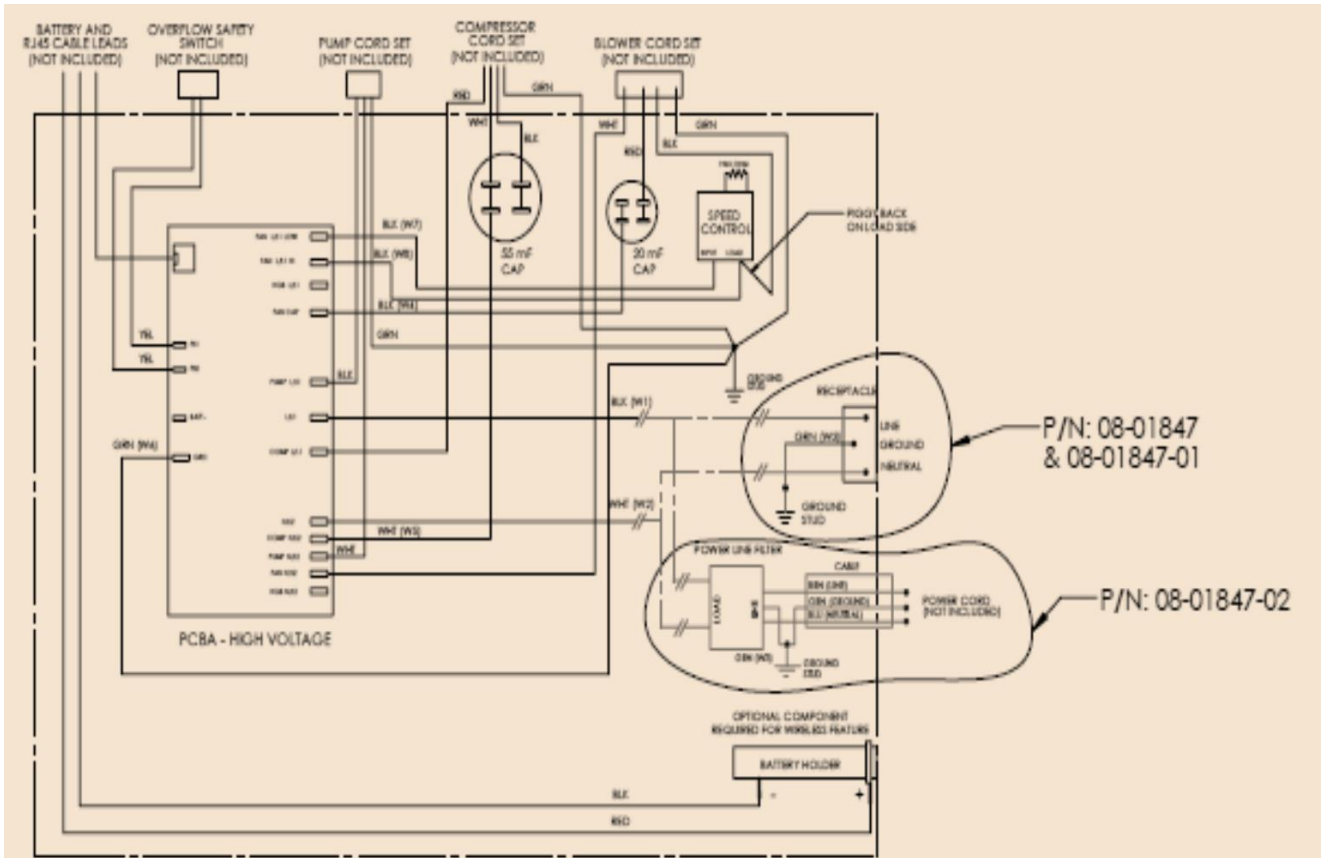
BATTERY HOLDER

PART NO.	QTY	DESCRIPTION
02-01619	1	BATTERY HOLDER – PANEL MOUNTING 2 CELL AA
03-01544	2	SCREW - #4 X 3/8 PHP ZP
03-01577	1	RIVET – 5/32 X 3/16 STL/STL ZP
08-01755	1	BRACKET – BATTERY HOLDER
13-01832	1	TUBE – BATTERY HOLDER PRELOAD

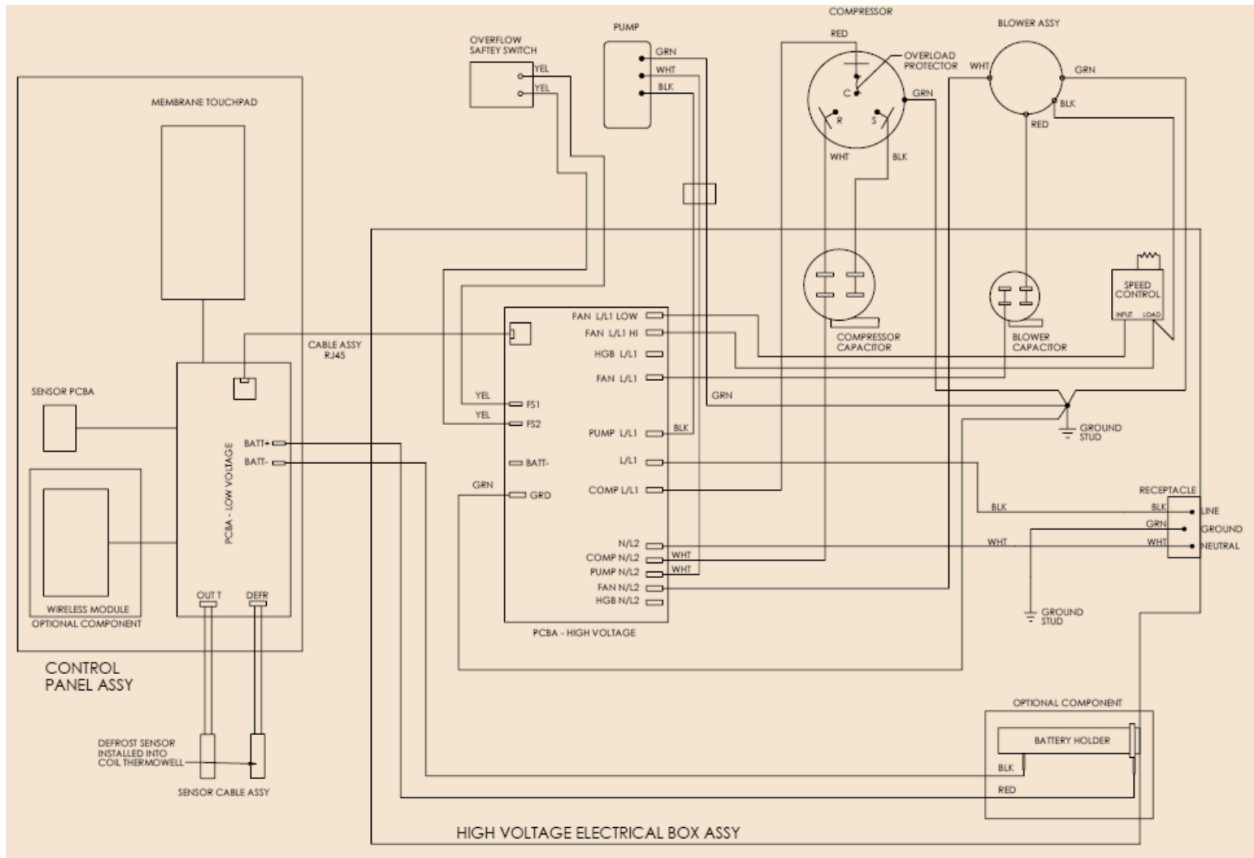


P/N: 08-01847-02

<i>PART NO.</i>	<i>QTY</i>	<i>DESCRIPTION</i>
02-01630	1	SPEED CONTROLLER – 120V 50/60 HZ
02-01745	1	FILTER – POWER LINE RFI 10A
03-00173	2	SCREW - #6-32 X 3/8 PHIL PH ZP
03-01482	2	RIVET – 5/32 X 3/8 AL/AL BLK ANOD
08-01959	1	PLATE – POWER CORD COVER



ELECTRICAL BOX
WIRING SCHEMATIC



WIRING SCHEMATIC

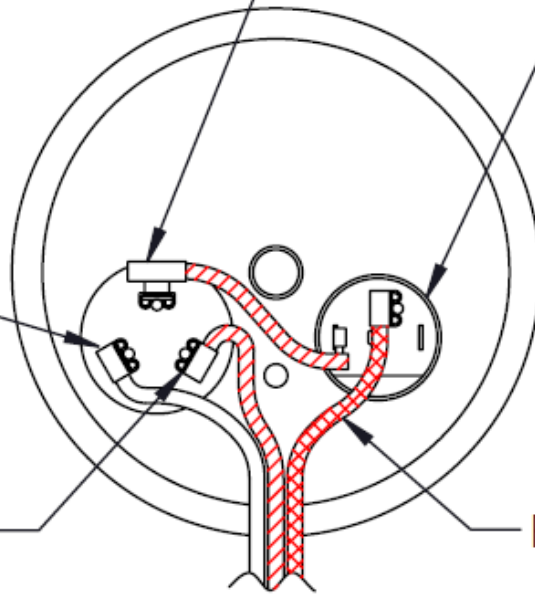
"C" TERMINAL
OVERLOAD BLACK WIRE

OVERLOAD
PROTECTOR
08-01748 OR
08-01898

"R" TERMINAL
WHITE WIRE

"S" TERMINAL
BLACK WIRE

RED WIRE



COMPRESSOR WIRING DETAIL