

GUARDIAN

FALL PROTECTION



Product Name: 10K Mega Swivel Anchor

Part #: 00237; 00238

Instruction Manual

**Do not throw away these instructions!
Read and understand these instructions before using equipment!**

Table of Contents

Introduction	1-2
Applicable Safety Standards	2
Worker Classifications	2
Safety Information	3-4
Maintenance, Cleaning, and Storage	5
Inspection	5
Product Specific Applications	6
Limitations	7-9
Components and Specifications	10
Installation and Use	10-13
Labels	13
Inspection Log	14
Notes	14

Introduction

Thank you for purchasing a Guardian Fall Protection 10K Mega Swivel Anchor. This manual must be read and understood in its entirety, and used as part of an employee training program as required by OSHA or any applicable state agency.

This and any other included instructions must be made available to the user of the equipment. The user must understand how to safely and effectively use the 10K Mega Swivel Anchor, and all fall safety equipment used in combination with the 10K Mega Swivel Anchor.

User Information	
Date of First Use:	_____
Serial #:	_____
Trainer:	_____
User:	_____

Applicable Safety Standards

When used according to instruction specifications, this product meets or exceeds all applicable OSHA 1926 Subpart M, OSHA 1910, ANSI Z359.1-2007, and ANSI A10.32-2012 standards for fall protection. Applicable standards and regulations depend on the type of work being done, and also might include state-specific regulations. Consult regulatory agencies for more information on personal fall arrest systems and associated components.

Worker Classifications



Understand the following definitions of those who work near or who may be exposed to fall hazards.

Qualified Person: A person with an accredited degree or certification, and with extensive experience or sufficient professional standing, who is considered proficient in planning and reviewing the conformity of fall protection and rescue systems.

Competent Person: A highly trained and experienced person who is ASSIGNED BY THE EMPLOYER to be responsible for all elements of a fall safety program, including, but not limited to, its regulation, management, and application. A person who is proficient in identifying existing and predictable fall hazards, and who has the authority to stop work in order to eliminate hazards.

Authorized Person: A person who is assigned by their employer to work around or be subject to potential or existing fall hazards.

It is the responsibility of a Qualified or Competent person to supervise the job site and ensure all applicable safety regulations are complied with.

Safety Information



Failure to understand and comply with safety regulations may result in serious injury or death. Regulations included herein are not all-inclusive, are for reference only, and are not intended to replace a Competent Person's judgment or knowledge of federal or state standards.

Do not alter equipment.

Do not misuse equipment.

Workplace conditions, including, but not limited to, flame, corrosive chemicals, electrical shock, sharp objects, machinery, abrasive substances, weather conditions, and uneven surfaces, must be assessed by a Competent Person before fall protection equipment is selected.

The analysis of the workplace must anticipate where workers will be performing their duties, the routes they will take to reach their work, and the potential and existing fall hazards they may be exposed to.

Fall protection equipment must be chosen by a Competent Person. Selections must account for all potential hazardous workplace conditions.

All fall protection equipment should be purchased new and in an unused condition.

Fall protection systems must be selected and installed under the supervision of a Competent Person, and used in a compliant manner.

Fall protection systems must be designed in a manner compliant with all federal, state, and safety regulations.

Unless explicitly stated otherwise, the maximum allowable free fall distance for lanyards must not exceed 6'. No free fall allowed for non-LE SRLs. Class A SRLs must arrest falls within 24"; Class B SRLs must arrest falls within 54".

Forces applied to anchors must be calculated by a Competent Person.

Harnesses and connectors selected must be compliant with manufacturer's instructions, and must be of compatible size and configuration.

A pre-planned rescue procedure in the case of a fall is required. The rescue plan must be project-specific. The rescue plan must allow for employees to rescue themselves, or provide an alternative means for their prompt rescue.

Store rescue equipment in an easily accessible and clearly marked area.

Training of Authorized Persons to correctly erect, disassemble, inspect, maintain, store, and use equipment must be provided by a Competent Person.

Training must include the ability to recognize fall hazards, minimize the likelihood of fall hazards, and the correct use of personal fall arrest systems.

NEVER use fall protection equipment of any kind to hang, lift, support, or hoist tools or equipment, unless explicitly certified for such use.

Maintenance of equipment must be done according to manufacturer's instructions. Equipment instructions must be retained for reference.

Prior to EACH use, all equipment in a fall protection system must be inspected for any potential or existing deficiencies that may result in its failure or reduced functionality. IMMEDIATELY remove equipment from service if any deficiencies are found.

Equipment must be inspected by a Competent Person at least every six months. These inspections must be documented in equipment instruction manual and on equipment inspection grid label.

Equipment must be inspected for defects, including, but not limited to, the absence of required labels or markings, improper form/fit/function, evidence of cracks, sharp edges, deformation, corrosion, excessive heating, alteration, excessive wear, fraying, knotting, abrasion, and absence of parts.

Equipment that fails inspection in any way must immediately be removed from use, or repaired by an entity approved by the manufacturer.

No on-site repair of equipment unless explicitly permitted by Guardian Fall Protection.

Equipment subjected to forces of fall arrest must immediately be removed from use.

Snap hooks, carabiners, and other connectors must be selected and applied in a compatible fashion. All risk of disengagement must be eliminated. All snap hooks and carabiners must be self-locking and self-closing, and must never be connected to each other.

Age, fitness, and health conditions can seriously affect the worker should a fall occur. Consult a doctor if there is any reason to doubt a user's ability to withstand and safely absorb fall arrest forces or perform set-up of equipment.

Pregnant women and minors must not use this equipment.

Physical harm may still occur even if fall safety equipment functions correctly. Sustained post-fall suspension may result in serious injury or death. Use trauma relief straps to reduce the effects of suspension trauma.

Allowable individual worker weight limit (including all equipment), unless explicitly stated otherwise, is 130-310 lbs.

Maintenance, Cleaning, and Storage

Repairs to 10K Mega Swivel Anchor can only be made by a Guardian Fall Protection representative or an entity authorized by Guardian. Contact Guardian for all maintenance and repair needs at: 1-800-466-6385. If a 10K Mega Swivel Anchor fails inspection in any way, immediately remove it from service, and contact Guardian to inquire about its return or repair.

Cleaning after use is important for maintaining the safety and longevity of 10K Mega Swivel Anchor. Remove all dirt, corrosives, and contaminants from 10K Mega Swivel Anchor before and after each use. If 10K Mega Swivel Anchor cannot be cleaned with plain water, use mild soap and water, then rinse and wipe dry. NEVER clean 10K Mega Swivel Anchor with corrosive substances.

When not in use, store equipment where it will not be affected by heat, light, excessive moisture, chemicals, or other degrading elements.

Inspection

KEEP INSTRUCTIONS AVAILABLE FOR REFERENCE. Record Date of First Use.

Prior to EACH use, inspect 10K Mega Swivel Anchor for deficiencies, including, but not limited to, corrosion, deformation, pits, burrs, rough surfaces, sharp edges, cracking, rust, paint buildup, excessive heating, alteration, and missing or illegible labels. IMMEDIATELY remove 10K Mega Swivel Anchor from service if defects or damage are found, or if exposed to forces of fall arrest.

Ensure that applicable work area is free of all damage, including, but not limited to, debris, rot, rust, decay, cracking, and hazardous materials. Ensure that selected work area will support the application-specific minimum loads set forth in this instruction manual. Work area MUST be stable.

At least every 6 months, a Competent Person other than the user must inspect 10K Mega Swivel Anchor. **Competent Person inspections MUST be recorded in inspection log in instruction manual and on equipment inspection grid label. The Competent Person must sign their initials in the box corresponding to the month and year the inspection took place.**

During inspection, consider all applications and hazards 10K Mega Swivel Anchor has been subjected to.

Product Specific Applications



WARNING Use of equipment in unintended applications may result in serious injury or death. Maximum 1 attachment per connection point.



Personal Fall Arrest: 10K Mega Swivel Anchor may be used to support a MAXIMUM 1 Personal Fall Arrest System (PFAS) for use in Fall Arrest applications. Structure must withstand loads applied in the directions permitted by the system of at least 5,000 lbs. Maximum free fall is 6', or up to 12' if used in combination with equipment explicitly certified for such use. Applicable D-ring: Dorsal.



Restraint: 10K Mega Swivel Anchor may be used in Restraint applications. Restraint systems prevent workers from reaching the leading edge of a fall hazard. Always account for fully deployed length of lanyard/SRL. Structure must withstand loads applied in the directions permitted by the system of at least 1,000 lbs. No free fall is permitted. Restraint systems may only be used on surfaces with slopes up to 4/12 (vertical/horizontal). Applicable D-rings: Dorsal, Chest, Side, Shoulder.



Work Positioning: 10K Mega Swivel Anchor may be used in Work Positioning applications. Work Positioning systems allow a worker to be supported while in suspension and work freely with both hands. Structure must withstand loads applied in the directions permitted by the system of at least 3,000 lbs. Maximum allowable free fall is 2'. Applicable D-rings: Side, Shoulder.

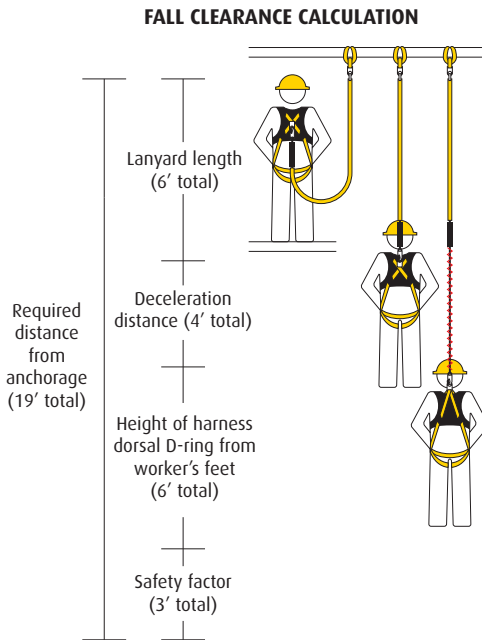


Rescue/Confined Space: 10K Mega Swivel Anchor may be used in Rescue/Confined Space applications. Rescue systems function to safely recover a worker from a confined location or after exposed to a fall. There are various configurations of Rescue systems depending on the type of rescue. Structure must withstand loads applied in the directions permitted by the system of at least 3,000 lbs. No free fall is permitted. Applicable D-rings: Dorsal, Chest, Shoulder.

For all applications: worker weight capacity range (including all clothing, tools, and equipment) is 130-310 lbs., or up to 420 lbs. if used in combination with equipment explicitly certified for such use.

Limitations

Fall Clearance: There must be sufficient clearance below the anchorage connector to arrest a fall before the user strikes the ground or an obstruction. When calculating fall clearance, account for a MINIMUM 3' safety factor, deceleration distance, user height, length of lanyard/SRL, and all other applicable factors. **Diagram shown is an EXAMPLE fall clearance calculation ONLY.**



Swing Falls: Prior to installation or use, make considerations for eliminating or minimizing all swing fall hazards. Swing falls occur when the anchor is not directly above the location where a fall occurs. Always work as close to in line with the anchor point as possible. Swing falls significantly increase the likelihood of serious injury or death in the event of a fall.

Compatibility: When making connections with 10K Mega Swivel Anchor, eliminate all possibility of roll-out. Roll-out occurs when interference between a hook and the attachment point causes the hook gate to unintentionally open and release. All connections must be selected and deemed compatible with 10K Mega Swivel Anchor by a Competent Person. All connector gates must be self-closing and self-locking, and withstand minimum loads of 3,600 lbs. See the following for examples of compatible/incompatible connections:

Connector closed and locked to D-ring. **OK.**



Connector to integral lanyard. **NO.**

Two or more snap hooks or carabiners connected to each other. **NO.**



Connector directly to webbing. **NO.**

Two connectors to same D-ring. **NO.**



Application that places load on gate. **NO.**

Incompatible or irregular application, which may increase risk of roll-out. **NO.**



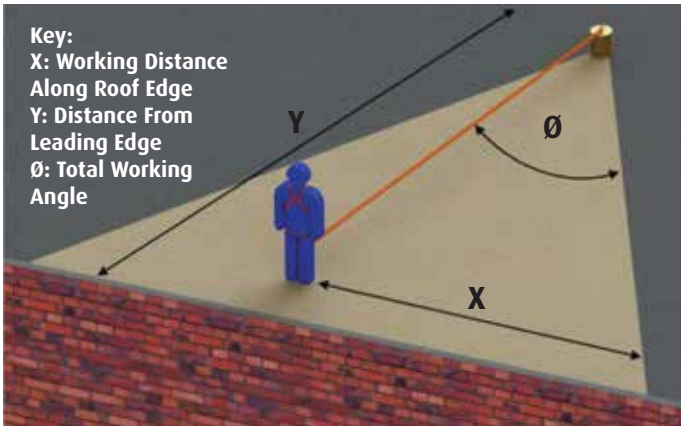
Connector directly to horizontal lifeline. **NO.**

Correct Anchorage Positioning:

This chart details allowable working zones required to reduce risk of swing falls and improper side loading.
ALWAYS adhere to information specified by chart.

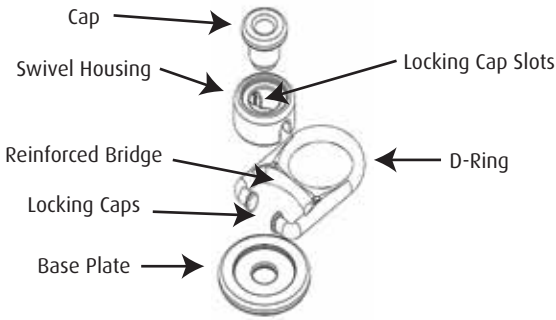
Anchor Distance From Leading Edge (Y)	Working Distance Along Roof Edge (Either Direction) (X)	Working Angle From Perpendicular (θ)
6'	8'	53°
10'	9' - 9"	45°
15'	11' - 7"	38°
20'	13' - 3"	33°
25'	14' - 6"	30°
30'	16'	28°
35'	17' - 2"	26°
40'	18' - 3"	24°
45'	19' - 4"	23°
50'	19' - 10"	21°
55'	21' - 4"	21°
60'	22' - 3"	21°

For example, if the anchorage connector is 6' from the leading edge (Y), the working distance (X) is 8' in each direction from the perpendicular, which translates to a 53° working angle.



Components and Specifications

Materials: zinc-plated steel.



Bolt used dependent on installation application.

Part #	Description
00237	10K Mega Swivel Anchor for Steel Installation Applications
00238	10K Mega Swivel Anchor for Concrete Installation Applications

Installation and Use

Bolt requirements for steel installation:



Grade 8 Markings

Grade 8 bolt with Locking Nut and Washer REQUIRED for steel installations.

Torque between 50-75 foot-pounds.



Bolt:

- SAE grade 8
- 2" minimum length
- 5/8" diameter
- 11 threads per inch



Lock Washer:

- SAE grade 8 lock washer
- 5/8" diameter
- 11 threads per inch



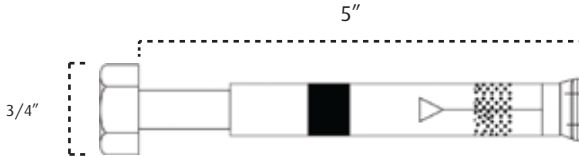
Lock Nut:

- SAE grade 8 lock nut
- 5/8" diameter

Ultimate breaking strength of grade 8 bolt:
Tensile: 18,000 lbs.
Shear: 15,000 lbs.

Bolt requirements for concrete installations:

Custom designed concrete
bolt for 10K Mega Swivel Anchor



Bolt:

- SAE grade 5
- 5" length
- 5/8" diameter
- 11 threads per inch

Expander Nut:

- SAE grade 5
- 3/4" diameter
- 11 threads per inch

Ultimate breaking strengths:

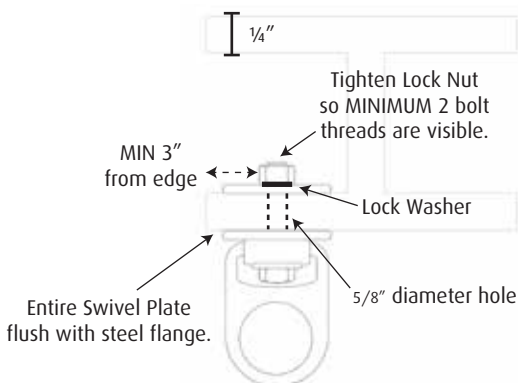
- Tensile: 12,000 lbs.
- Shear: 10,000 lbs.

Installation and Drilling Requirements:

For all installations:

- 10" MINIMUM between 10K Mega Swivel Anchor bolt holes.
- Prior to drilling hole, inspect to ensure the absence of any power cables or other live utilities.
- Part # 00237 for steel installation ONLY. Part # 00238 for concrete installations ONLY.

Steel:



•Drill hole 5/8" in diameter.

•Hole MUST be minimum 3" from all edges and corners.

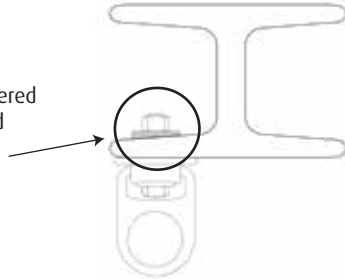
•Flange MUST be minimum 1/4" thick.

•MINIMUM 2 bolt threads must be visible after Lock Nut is tightened.

•Consider planned alignment of lanyard and connectors. Ensure they will not make contact with edge of steel flange.

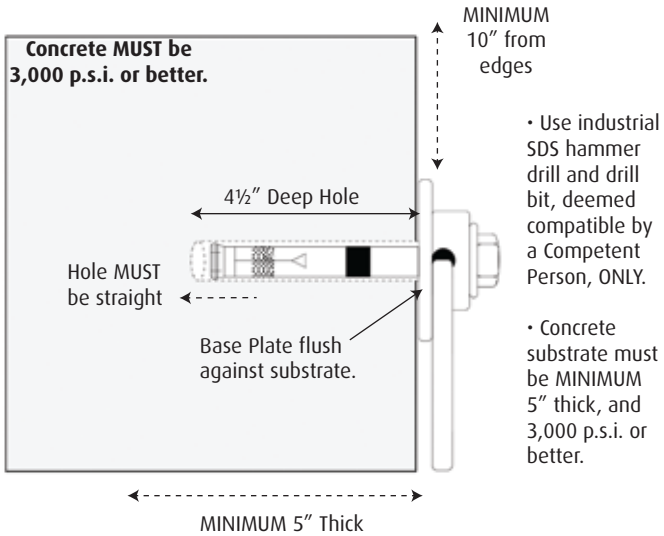
Tapered Steel:

For installations on tapered steel flanges, a tapered lock washer **MUST** be used. Ensure lock nut lies flush with tapered washer.



Concrete:

- Drill $\frac{3}{4}$ " diameter hole, $4\frac{1}{2}$ " deep.
- Hole must be perpendicular to substrate surface. If hole is not straight, drill another hole.
- Hole must be MINIMUM 10" from all edges and corners.
- Blow out hole with compressed air.

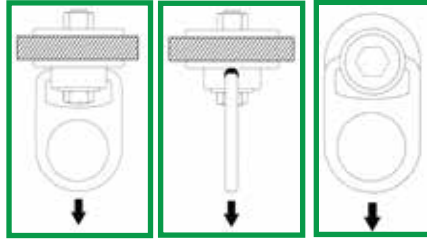


Not for use in lightweight concrete, brick, grout, or stone.

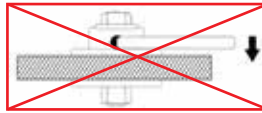
10K Mega Swivel Anchor can be removed by loosening bolt with a $\frac{3}{4}$ " wrench. Part of concrete bolt will remain in hole following removal. NEVER reuse concrete bolt. After removal, fill hole with grout or sealant. NEVER reuse bolt hole.

Use:

Acceptable Loads:



IMPROPER LOAD:



10K Mega Swivel Anchors may be used in HLL systems that may support up to 4 workers. A Qualified Person **MUST** be responsible for the planning and installation of HLL systems. **ALWAYS** maintain 100% tie-off.

All PFAS equipment **MUST** be selected and deemed compatible with the 10K Mega Swivel Anchor by a Competent Person.

Labels

GUARDIAN
FALL PROTECTION
PERFORMANCE. SAFETY. CLEAR.

1-800-466-6385
6305 S. 231st St., Kent, WA 98032
www.guardianfall.com

10K MEGA Swivel Anchor
Part #: 00237; 00238

Prior to use, read and understand all manufacturer's instructions provided with equipment at time of shipment from manufacturer.

Compliant with all applicable OSHA 1910, OSHA 1926 Subpart M, ANSI Z359-1-2007, and ANSI A10.32-2012 regulations.

Date of Manufacture: XXXXXXXXXX

90053 (Rev. 8)

Materials: Zinc-plated steel.

Ultimate breaking strength: 10,000 lbs.

Capacity Range: 130-310 lbs., or up to 420 lbs. if used in combination with equipment explicitly certified for such use (including all equipment).

All PFAS equipment must be selected and deemed compatible with Mega Swivel Anchors by a Competent Person.

MAXIMUM 1 connection per Mega Swivel Anchor.

Refer to instructions for proper installation and use.

Suitable for Fall Arrest, Restraint, Work Positioning, and Rescue applications. Refer to instructions for application-specific structural strength requirements.

May be used as a component in a complete and compatible HLL system for use by up to 4 workers.

A Qualified Person **MUST** be responsible for the planning and installation of HLL systems.

WARNING

IMMEDIATELY remove from service if exposed to forces of Fall Arrest.

Eliminate all risk of roll-out. **NEVER** use incompatible connectors.

DO NOT allow contact with sharp or abrasive surfaces or edges.

DO NOT allow contact with hazards, including, but not limited to, heat, electric shock, or corrosive chemicals.

ALWAYS maintain 100% tie-off.

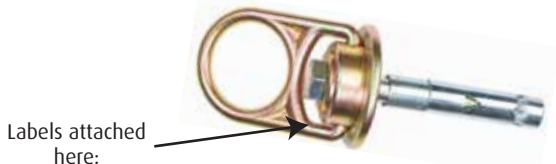
INSPECTION GRID

1	2	3	4	5	6	7	8	9	10	11	12	13	14	15	16	17	18	19	20
1	2	3	4	5	6	7	8	9	10	11	12	13	14	15	16	17	18	19	20

Use this inspection grid for a thorough, documented visual inspection of the equipment. Inspectors should check for the following conditions and mark the grid accordingly. If any of the conditions listed are present, the equipment should be removed from service immediately.

DO NOT REMOVE LABELS

XXXXXXXXXX For reference only. No green on label.
Date of manufacture to be: mo/year.



Inspection Log

User must inspect prior to EACH use. Competent Person other than user must complete formal inspection at least every 6 months. Competent Person to inspect and initial.

Date of First Use: _____. Product lifetime is indefinite, as long as it passes pre-use and Competent Person inspections.

This inspection log must be specific to one 10K Mega Swivel Anchor. Separate inspection logs must be used for each 10K Mega Swivel Anchor. All inspection records must be made visible and available to all users at all times.

	J	F	M	A	M	J	J	A	S	O	N	D
YR												
YR												
YR												
YR												
YR												

If equipment fails inspection IMMEDIATELY REMOVE FROM SERVICE.

Notes
