

380400

Illustrated Parts List

Model Series

380400

TYPE NUMBERS
0024 through 0164.

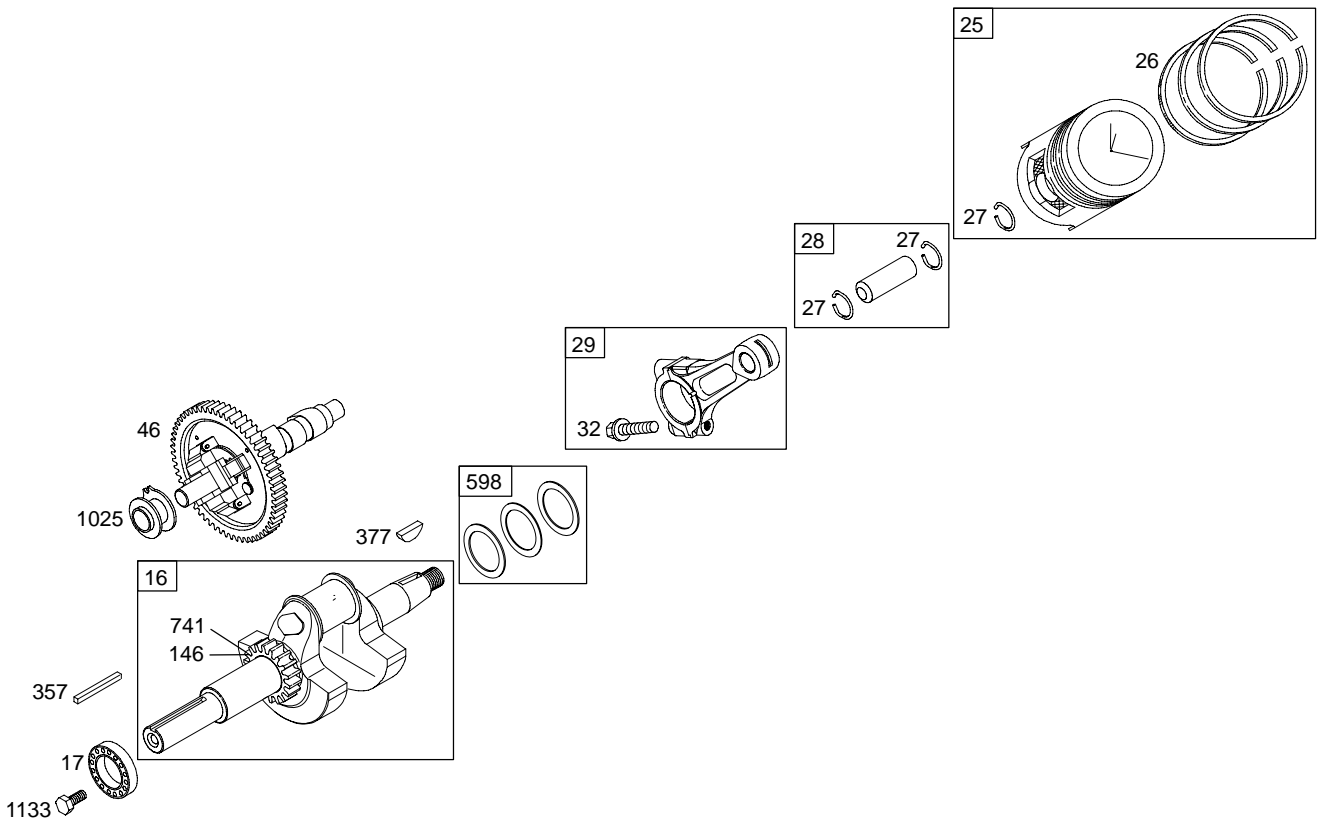
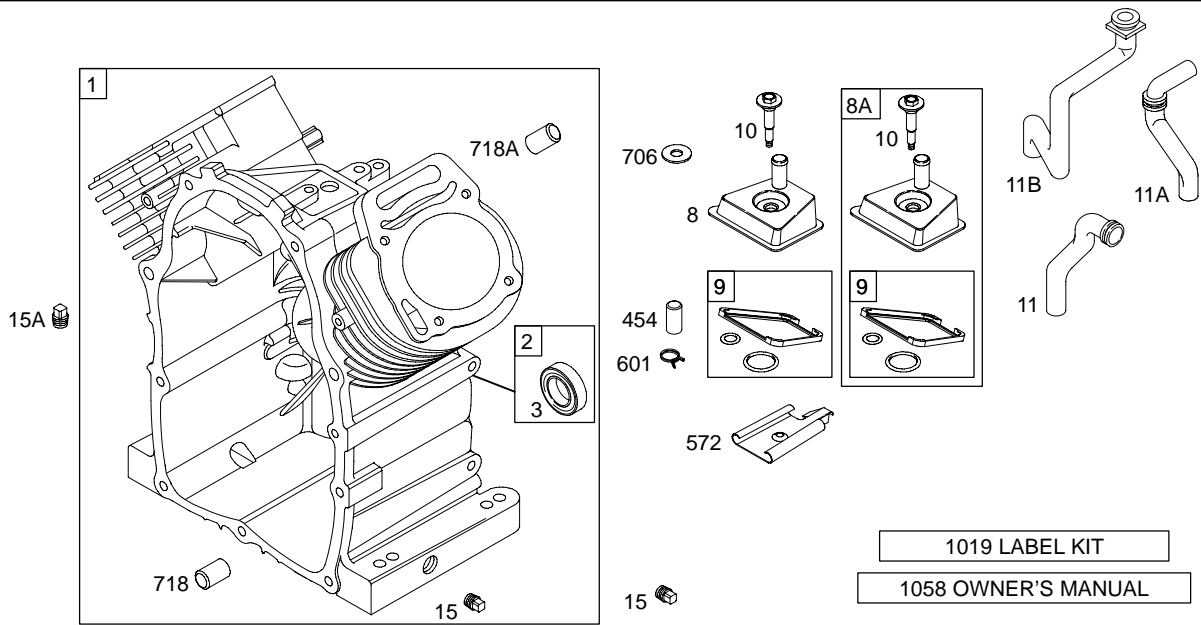
TABLE OF CONTENTS

| | |
|------------------------------------|---------|
| Air Cleaners | 11 |
| Alternator | 20 |
| Blower Housing | 17 |
| Cams | 2 |
| Carburetor | 9 & 10 |
| Controls | 15 |
| Crankcase Cover/Sump | 4 |
| Crankshaft | 2 |
| Cylinder | 2 |
| Electric Starter | 21 & 22 |
| Flywheel | 17 |
| Fuel Tank | 14 |
| Governor Spring | 15 |
| Head/Valves | 3 |
| Ignition | 20 |
| Intake Manifolds | 4 |
| Kit/Gasket Sets – Carburetor | 6 |
| Kit/ Valve Sets | 6 |
| Kit/ Valve Sets – Engine | 7 |
| Kit/ Valve Sets – Engine | 8 |
| Muffler | 12 & 13 |
| Oil Group | 5 |
| Pistons | 2 |
| Rewind Starters | 19 |
| Shrouds | 16 |

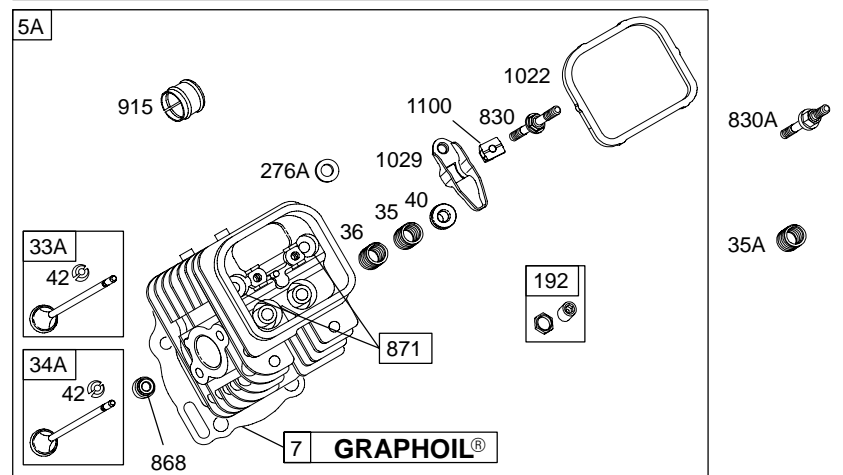
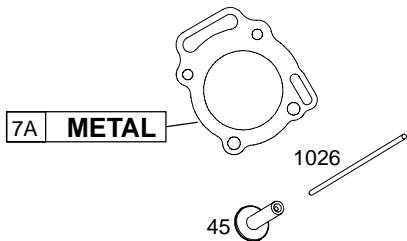
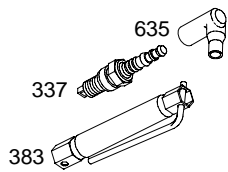
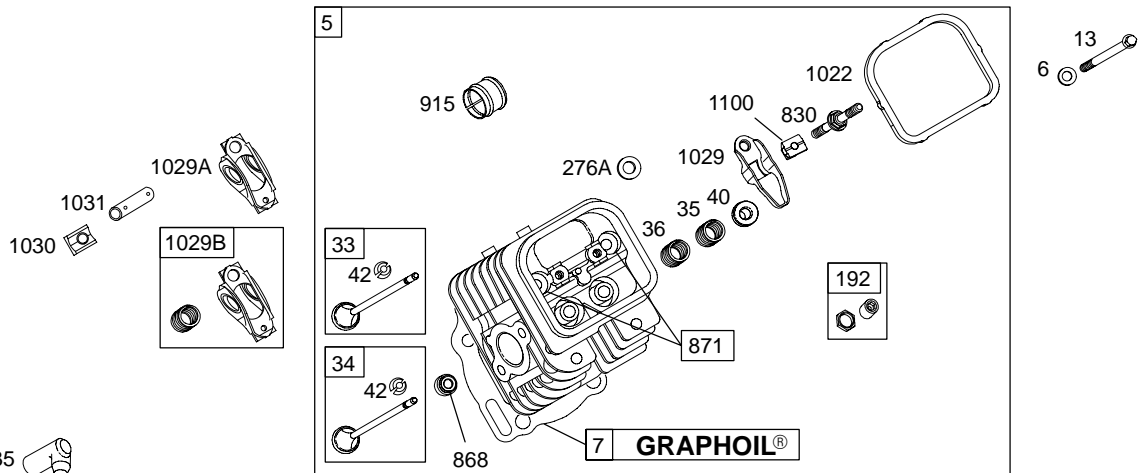
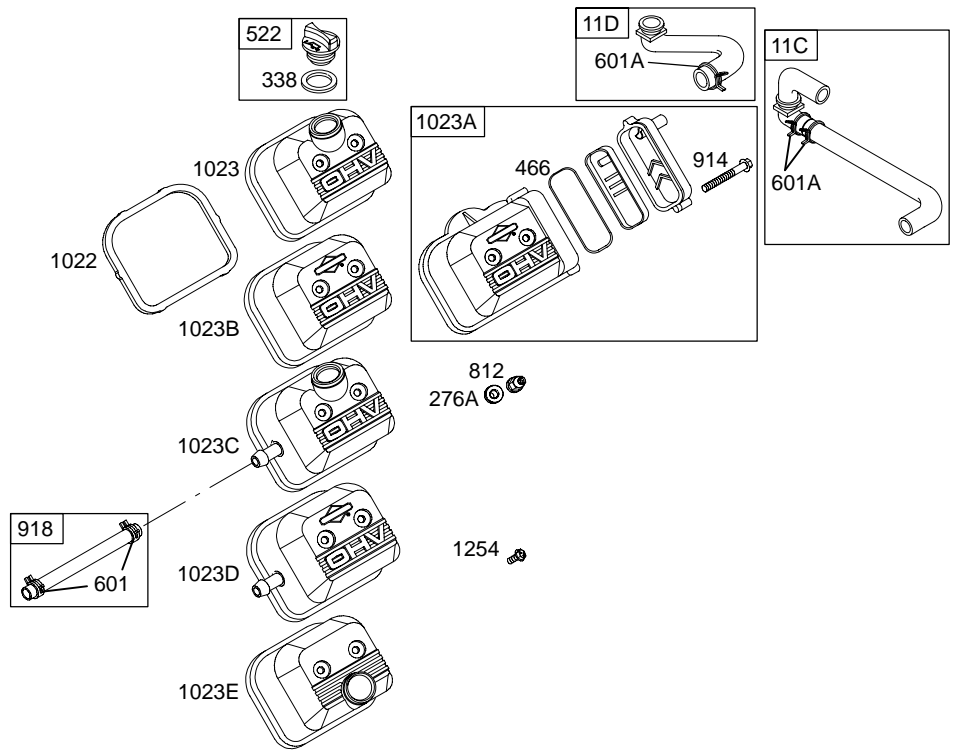
PRINTED IN U.S.A.



COPYRIGHT by BRIGGS & STRATTON CORPORATION
All rights reserved. No part of this material may be reproduced or transmitted, in any form or by any means, electronic or mechanical, including photocopying, recording or by any information storage and retrieval system, without permission in writing from Briggs & Stratton Corporation.

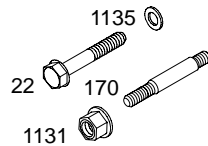
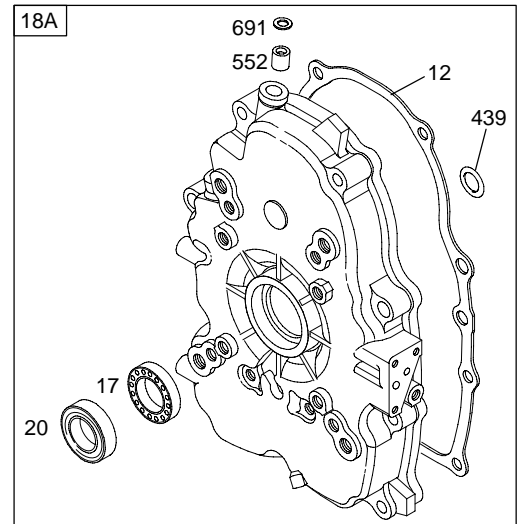
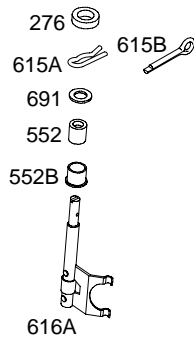
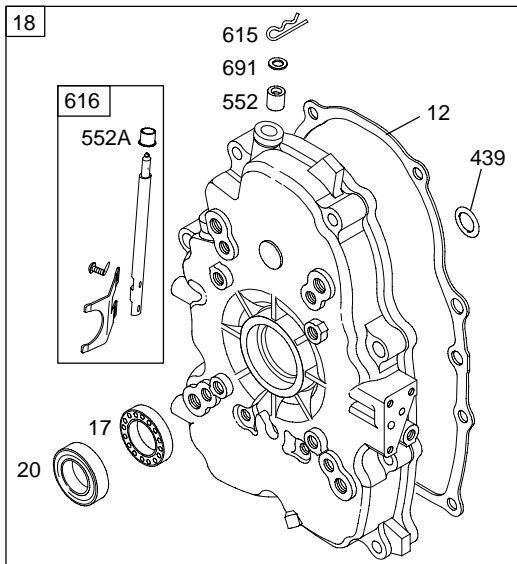
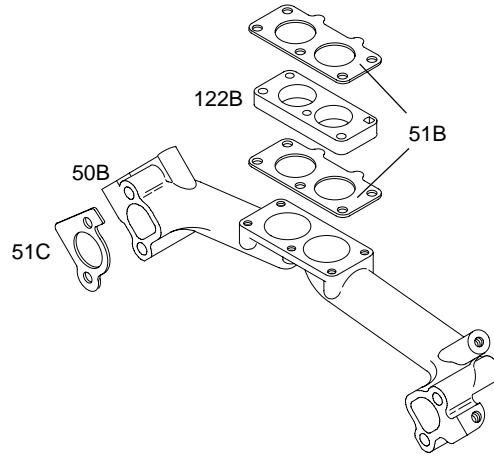
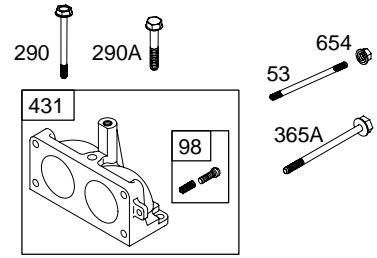
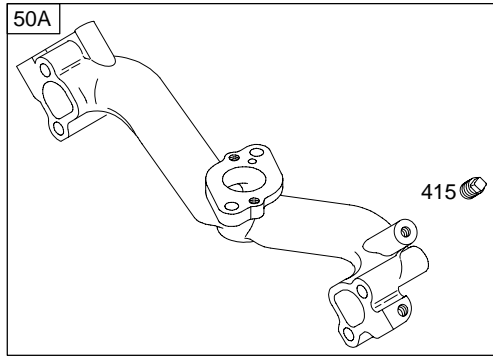
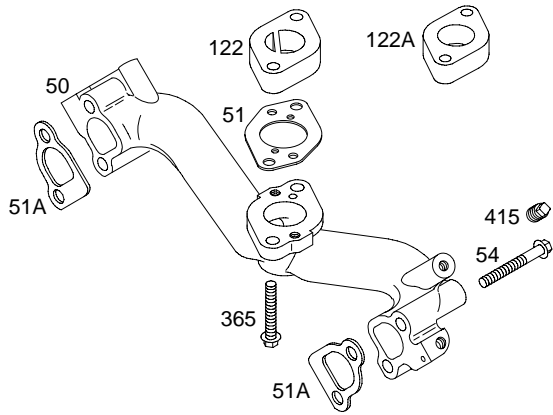


Illustrations cover a range of engines. Parts shown without corresponding text may not be used on your specific engine.

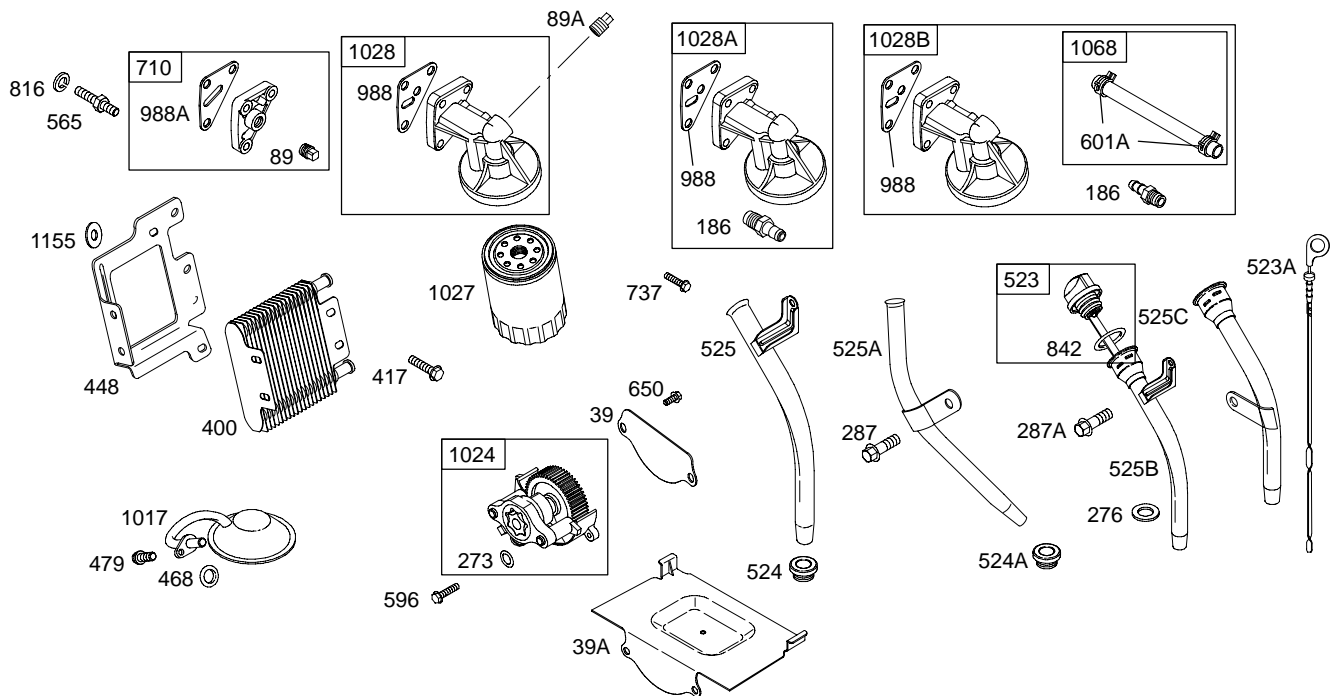


Illustrations cover a range of engines. Parts shown without corresponding text may not be used on your specific engine.
 5311-3 Assemblies include all parts shown in frames. 01/20/2003

380400



Illustrations cover a range of engines. Parts shown without corresponding text may not be used on your specific engine.
 5311-4 Assemblies include all parts shown in frames. 01/20/2003



380400

121 CARBURETOR OVERHAUL KIT

94 1091 104 105 105A 117 117A 127 142 255 276B 633 807

121E CARBURETOR OVERHAUL KIT

94A 1091A 102A 104A 105A 106 117C 117D 142C 147 231 276D 633C 1037

1095 VALVE GASKET SET

7 GRAPHOIL 51A 1022 276A 812 868 883A

121A CARBURETOR OVERHAUL KIT

94 1091 102 104 105 117 127 142 255 276A 633 633A 807

121F CARBURETOR OVERHAUL KIT

51 94 1091 102 104 105 117L 118 127 142B 276B 633 987

1095A VALVE GASKET SET

7 GRAPHOIL 51A 1022 276A 812 868 883

121B CARBURETOR OVERHAUL KIT

94 1091 102 104 105 117B 127 142A 255 276B 276C 633

1095B VALVE GASKET SET

6 7 GRAPHOIL 7A METAL 51A 1022 276 338 524 812 868 883

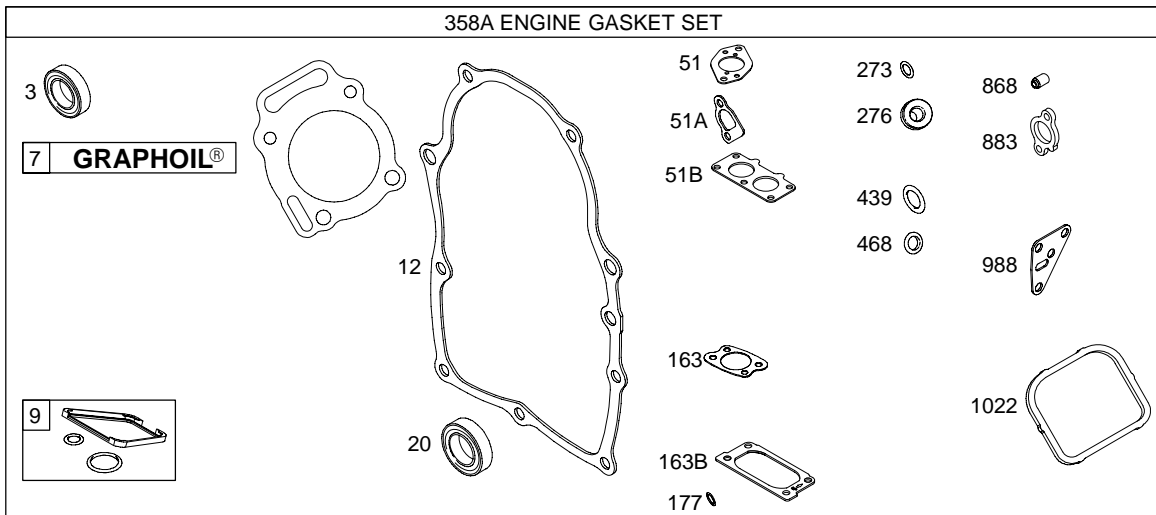
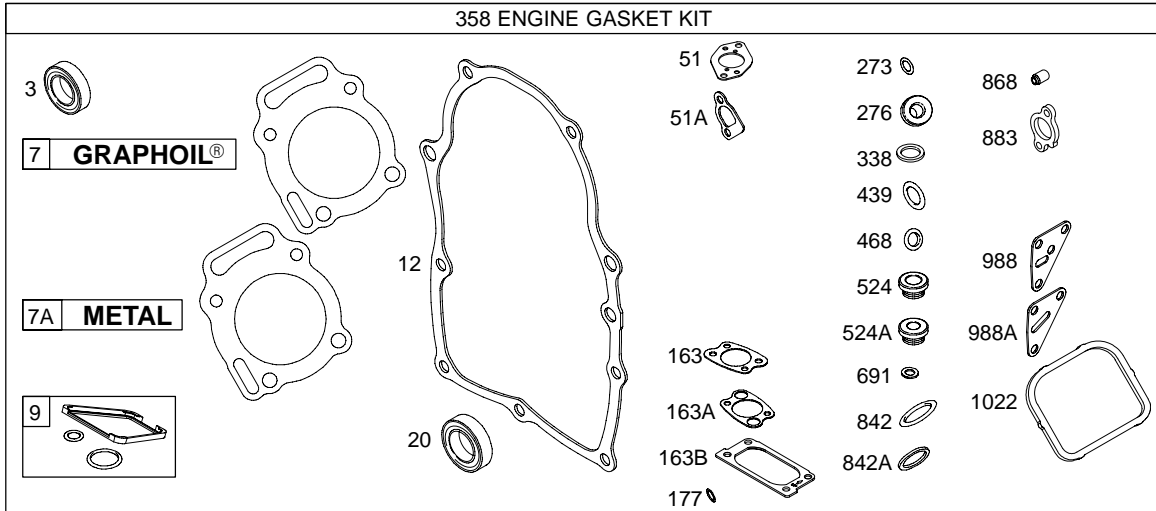
121C CARBURETOR OVERHAUL KIT

94 1091 102B 104B 105 117F 117G 117H 117J 117K 633 987A

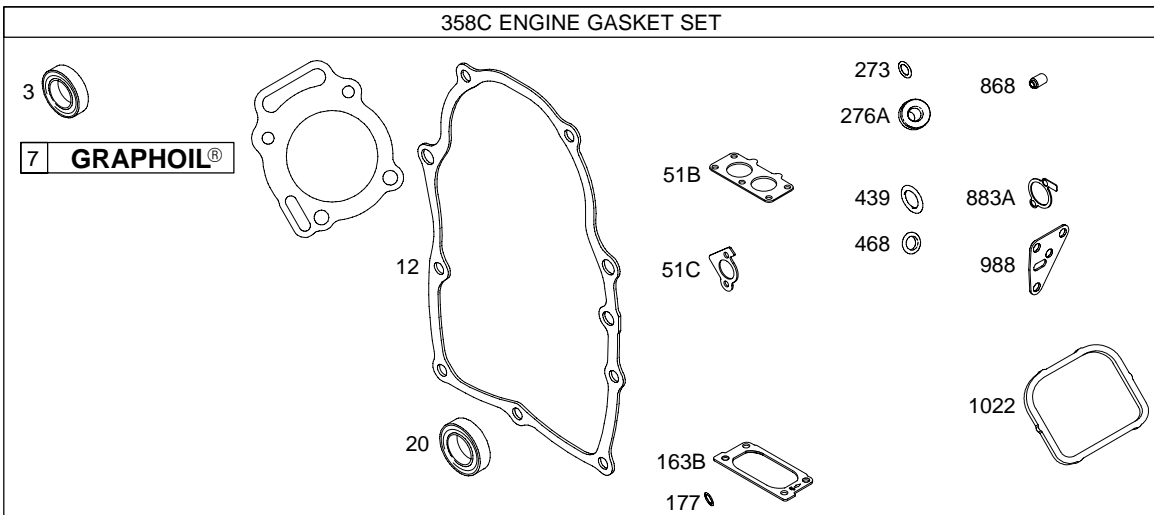
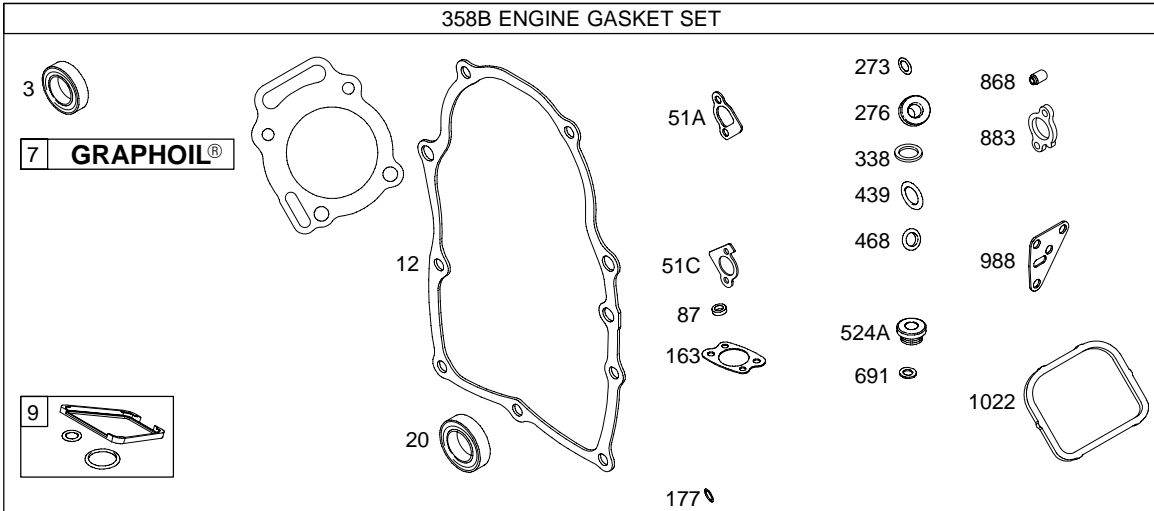
121D CARBURETOR OVERHAUL KIT

94 1091 102B 104A 105 117A 117 142 633 987 987B

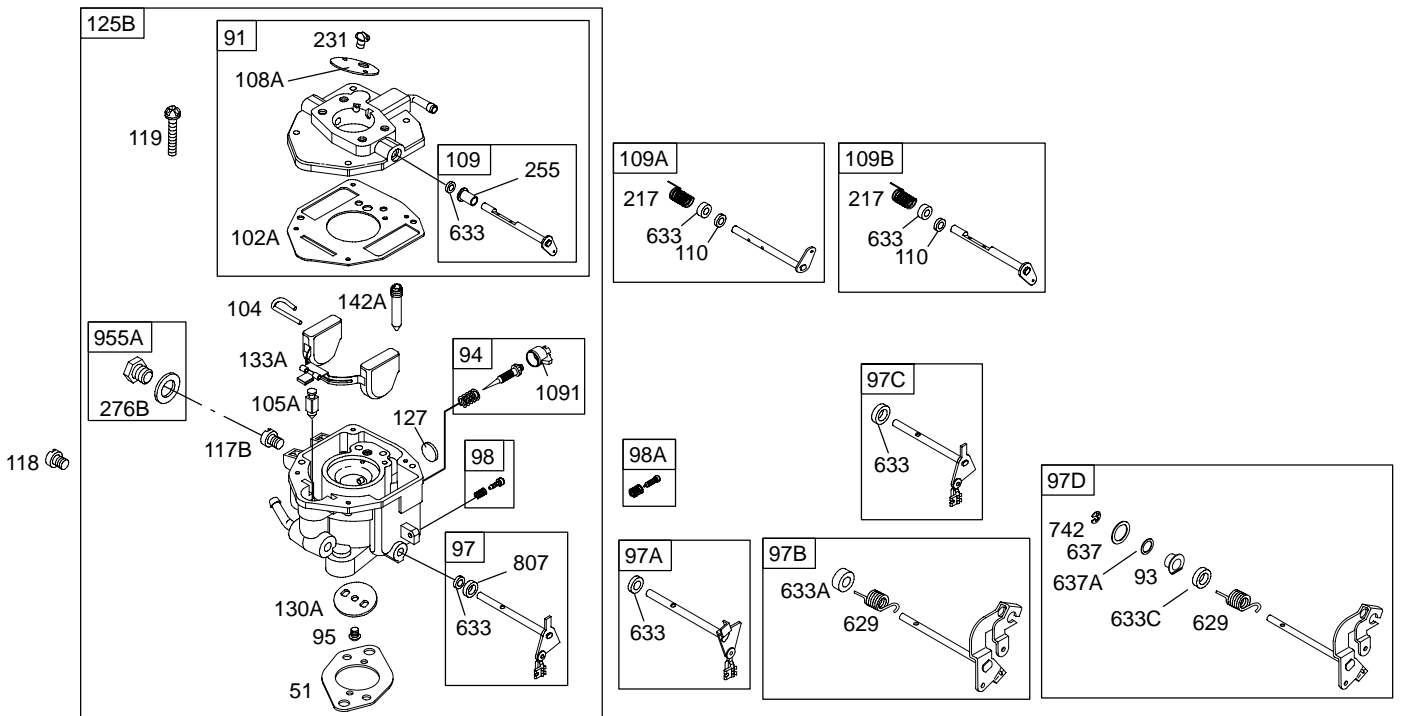
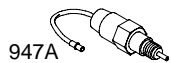
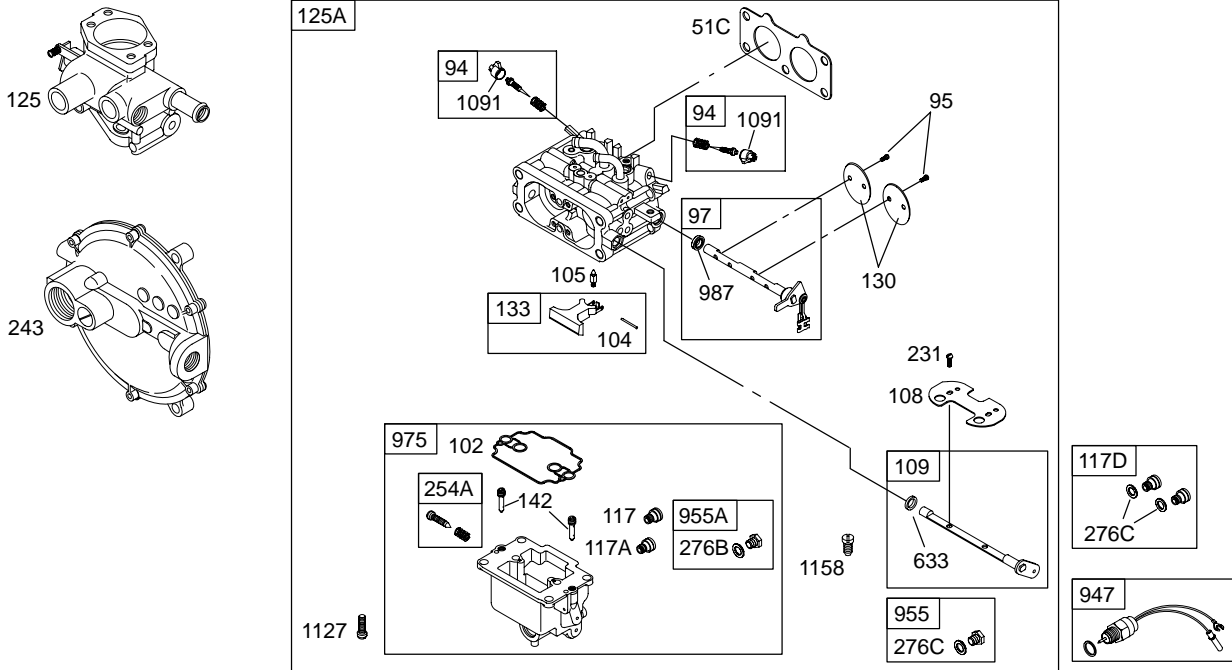
Illustrations cover a range of engines. Parts shown without corresponding text may not be used on your specific engine.



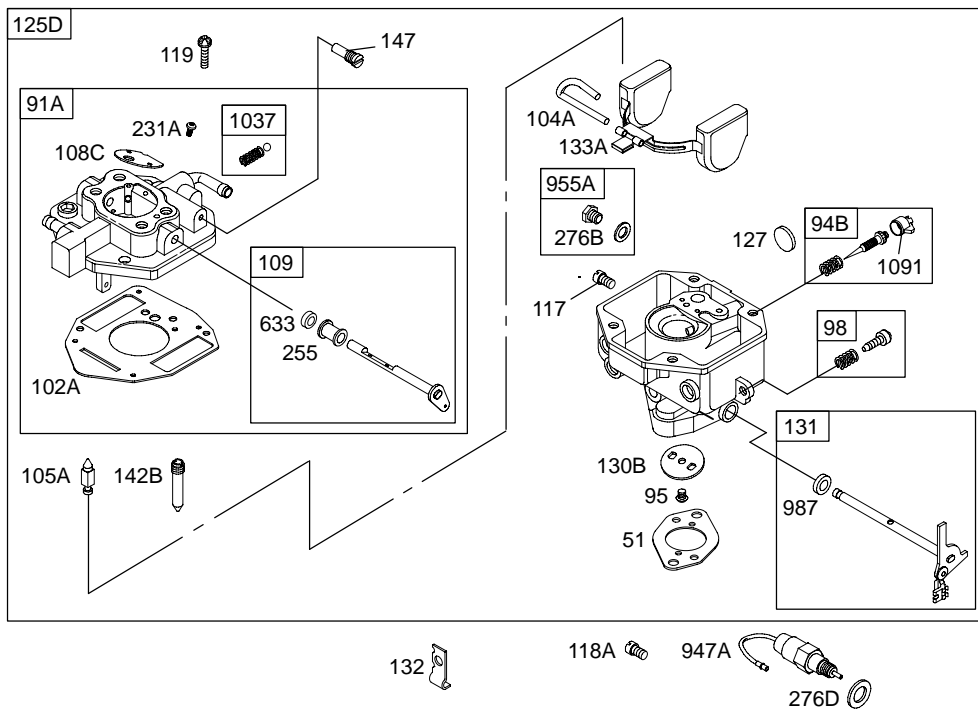
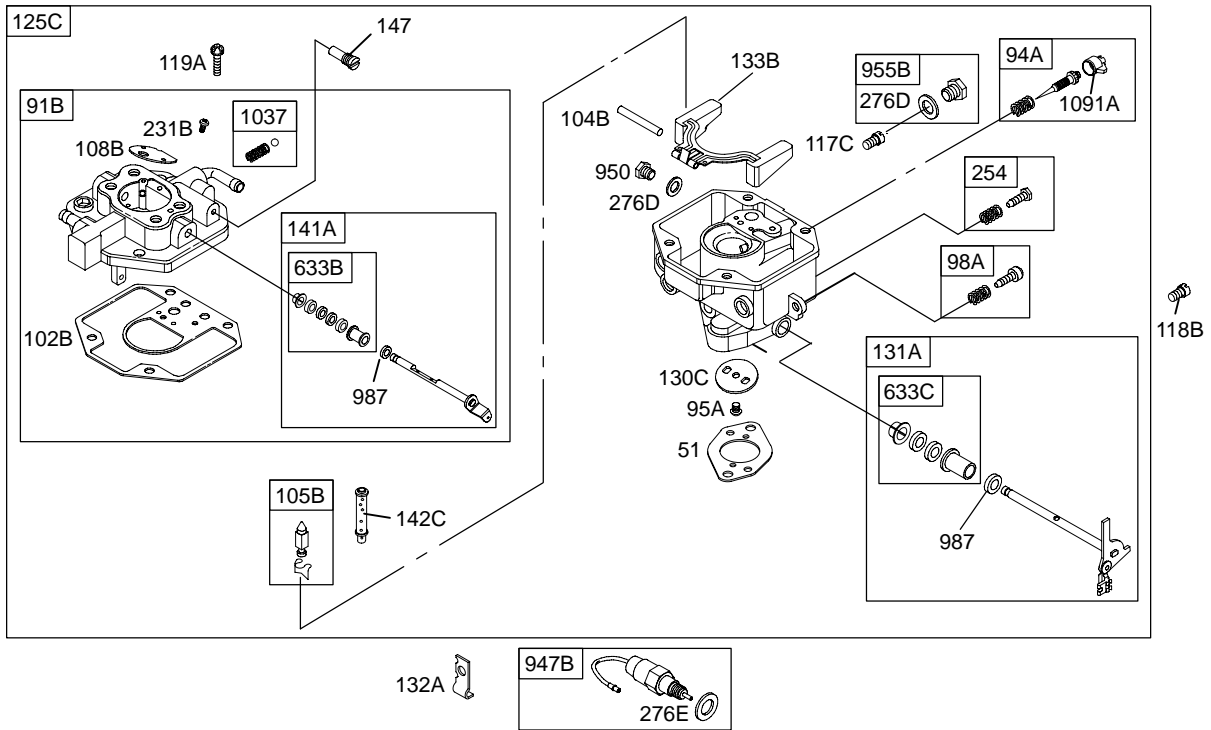
Illustrations cover a range of engines. Parts shown without corresponding text may not be used on your specific engine.
 5311-7 Assemblies include all parts shown in frames. 01/20/2003



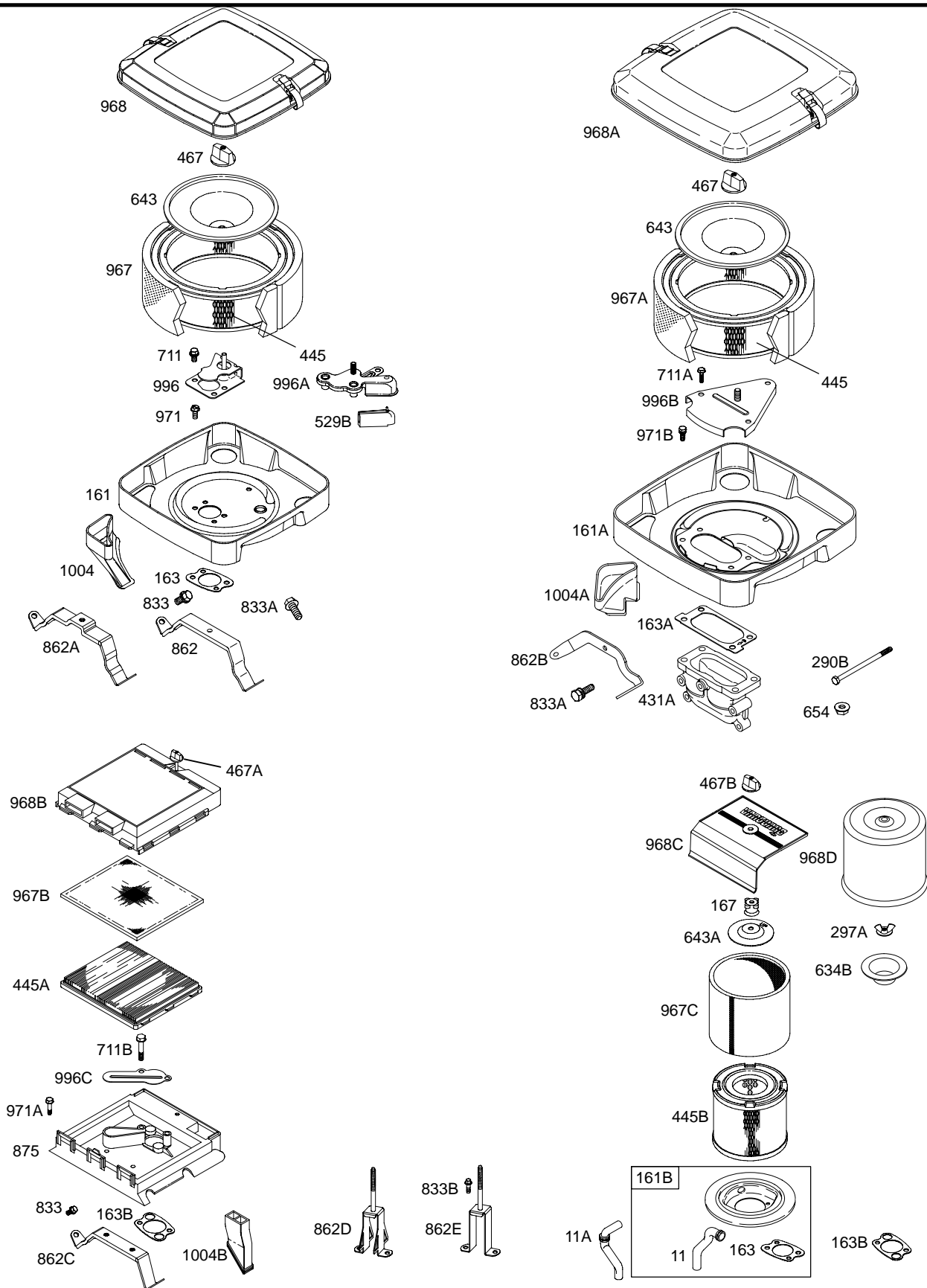
Illustrations cover a range of engines. Parts shown without corresponding text may not be used on your specific engine.



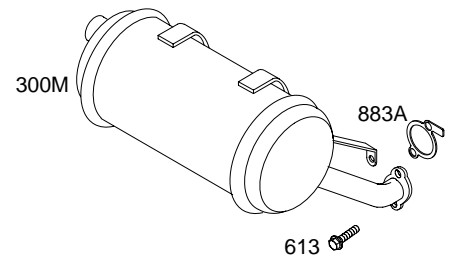
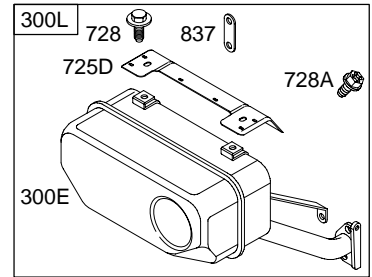
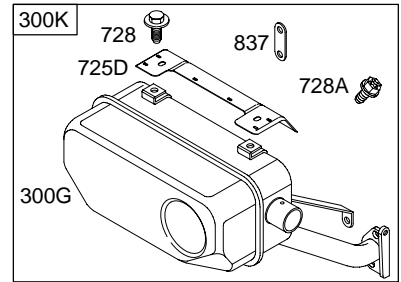
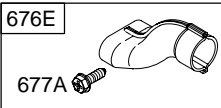
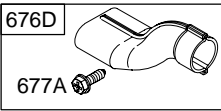
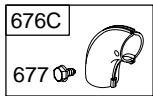
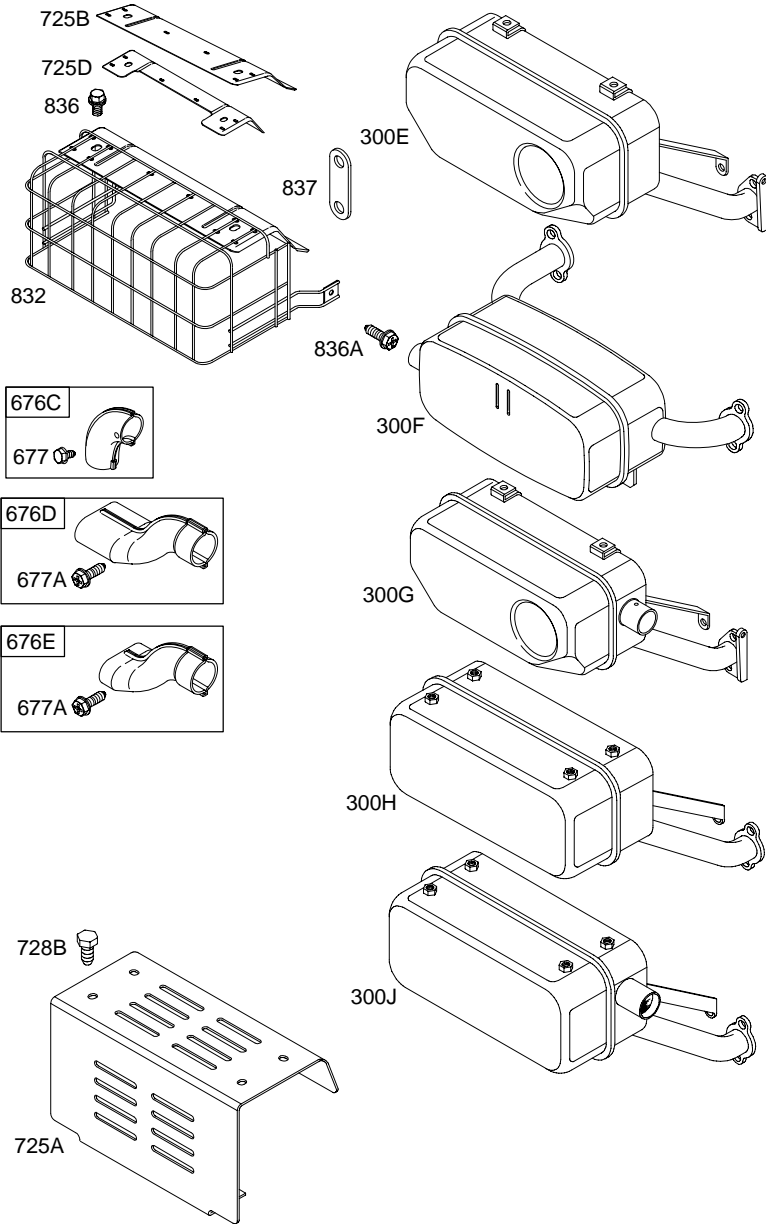
Illustrations cover a range of engines. Parts shown without corresponding text may not be used on your specific engine.
 5311-9 Assemblies include all parts shown in frames. 01/20/2003



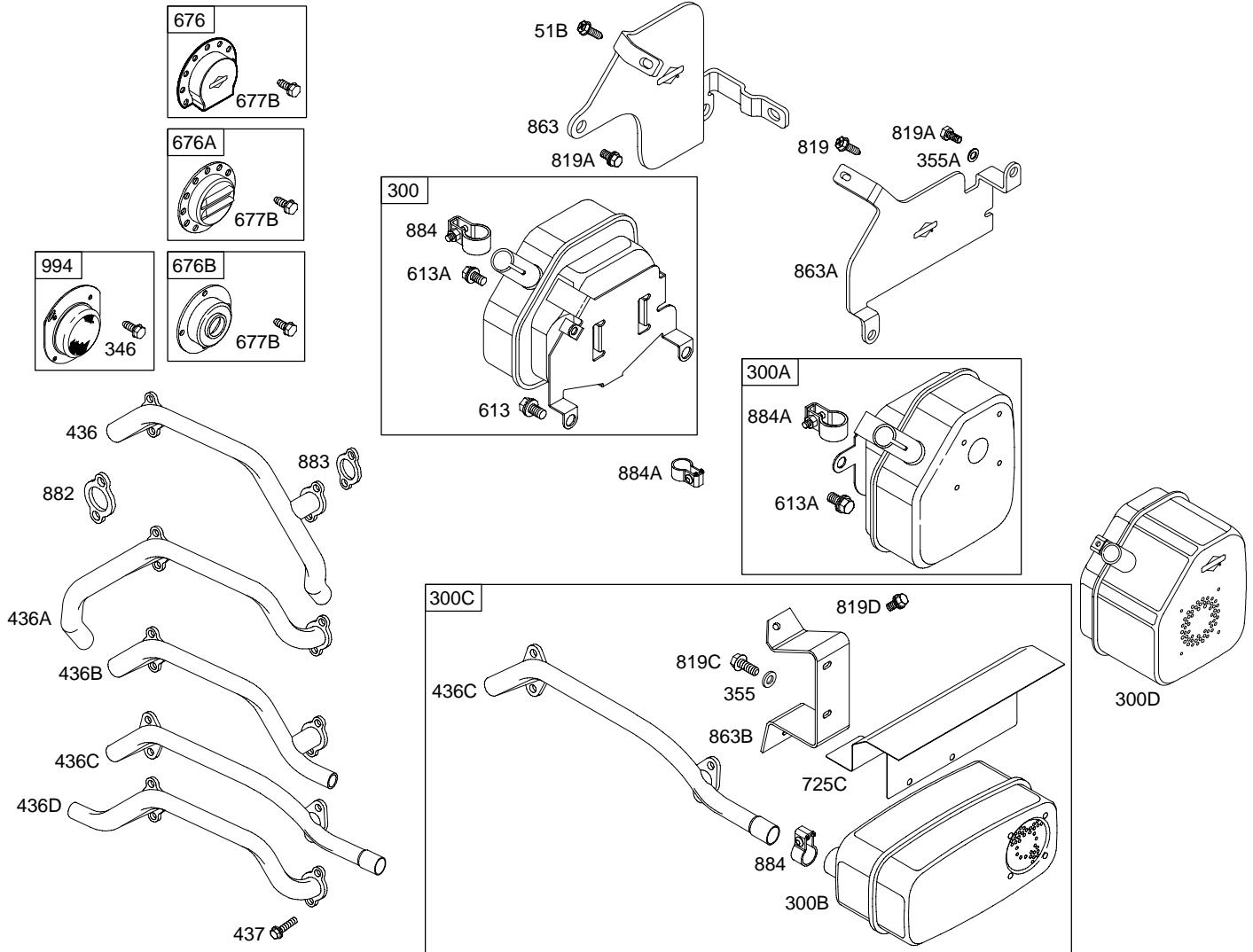
Illustrations cover a range of engines. Parts shown without corresponding text may not be used on your specific engine.
5311-10 Assemblies include all parts shown in frames. **01/20/2003**



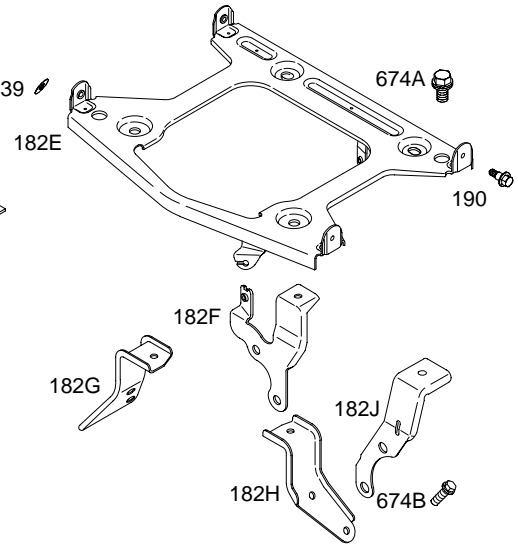
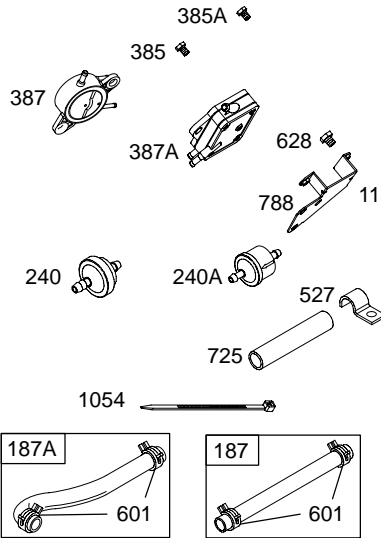
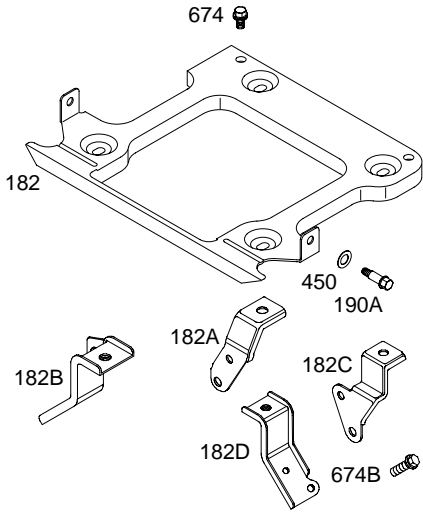
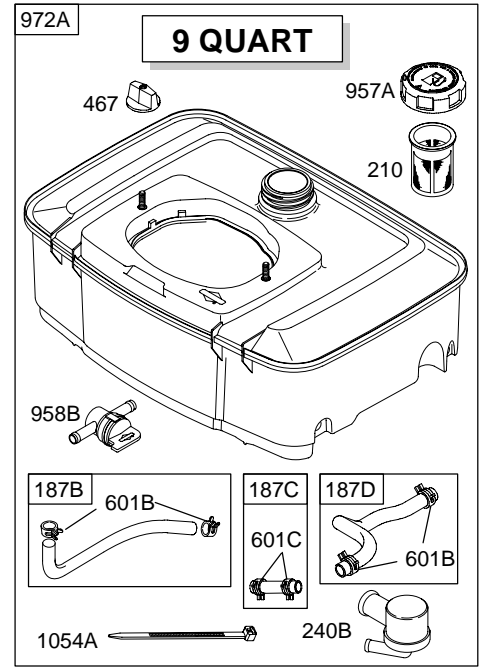
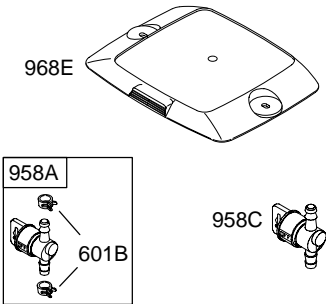
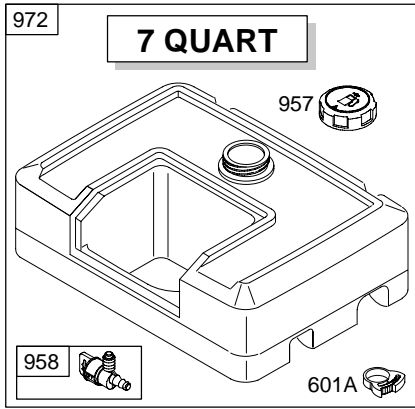
5311-11 *Illustrations cover a range of engines. Parts shown without corresponding text may not be used on your specific engine.* Assemblies include all parts shown in frames. 01/20/2003



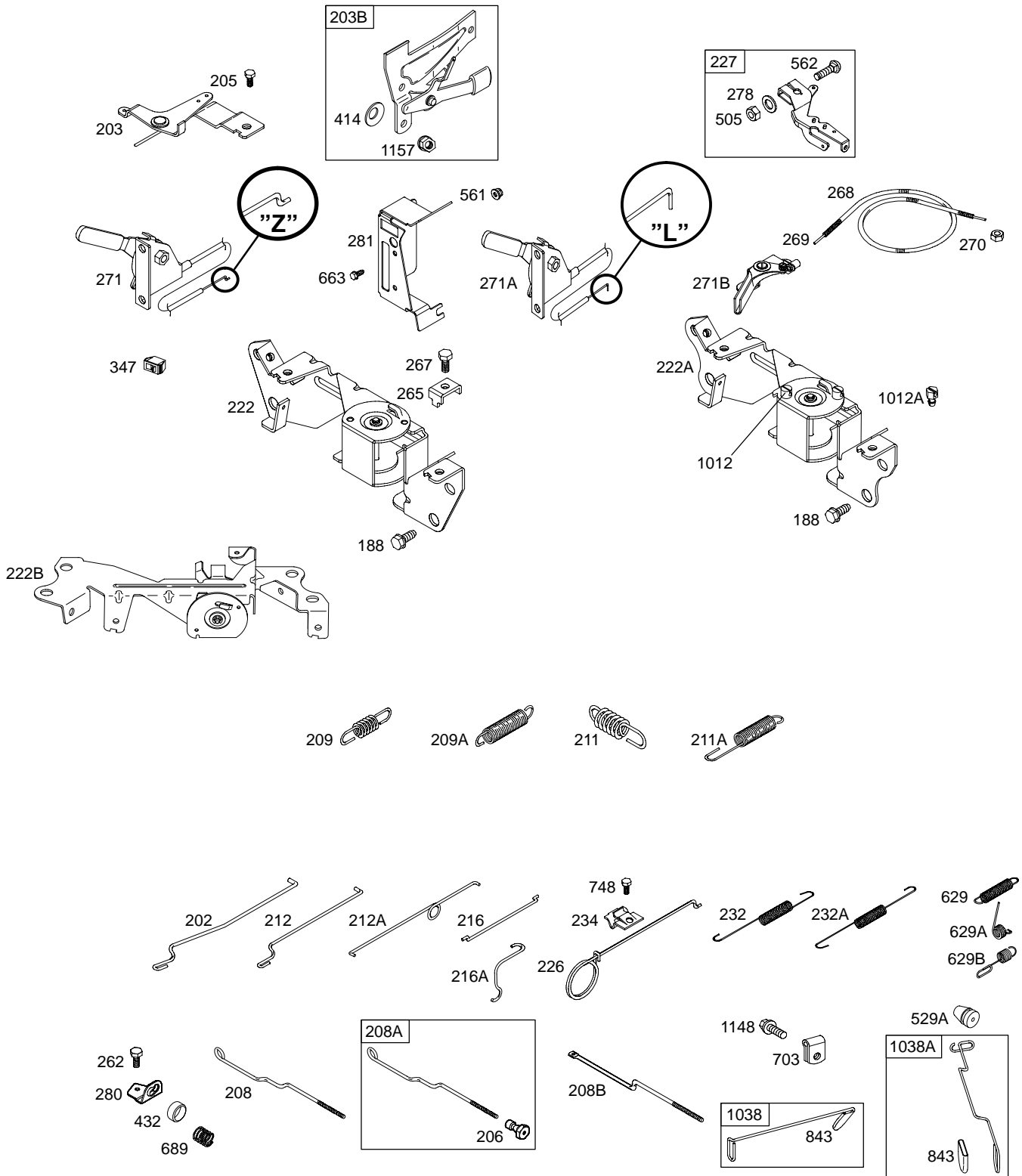
Illustrations cover a range of engines. Parts shown without corresponding text may not be used on your specific engine.



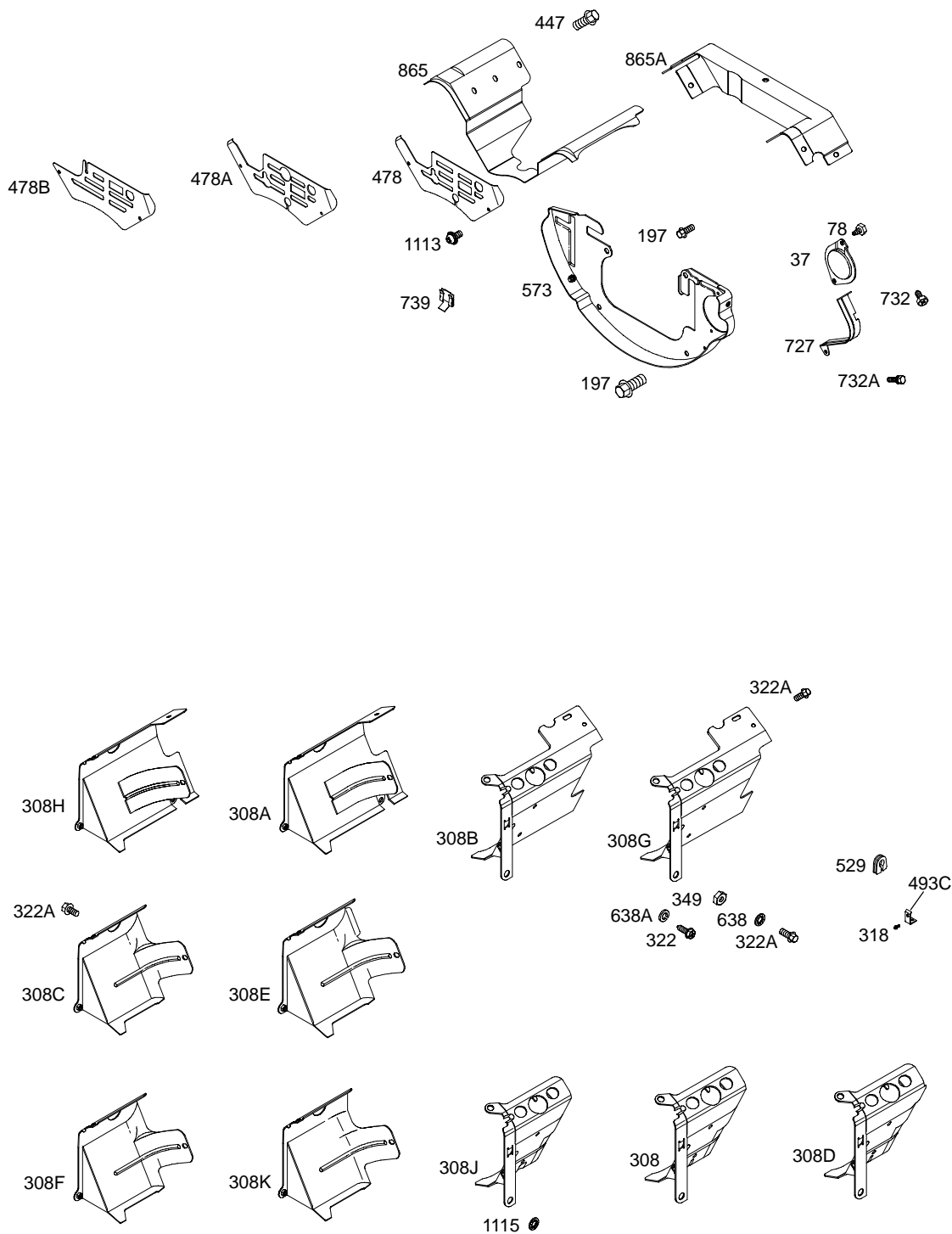
Illustrations cover a range of engines. Parts shown without corresponding text may not be used on your specific engine.
 5311-13 Assemblies include all parts shown in frames. 01/20/2003



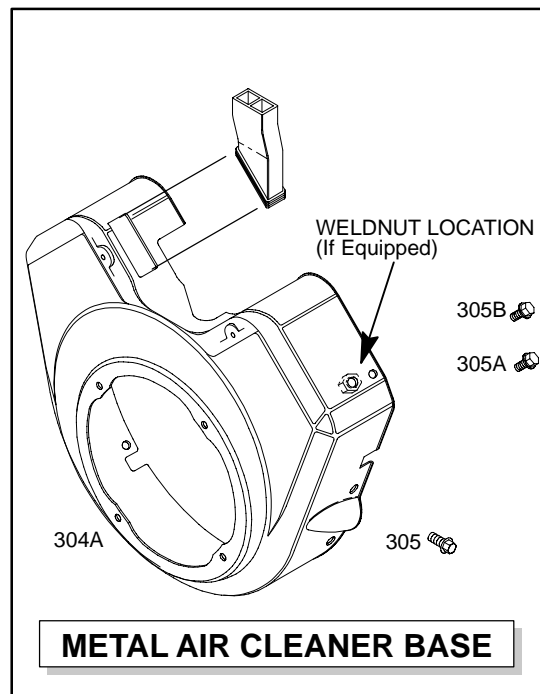
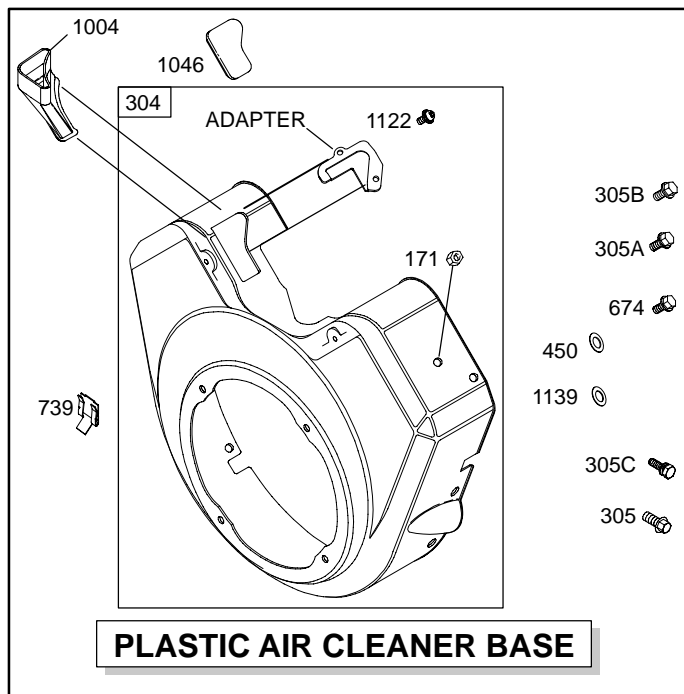
Illustrations cover a range of engines. Parts shown without corresponding text may not be used on your specific engine.
 5311-14 Assemblies include all parts shown in frames. 01/20/2003



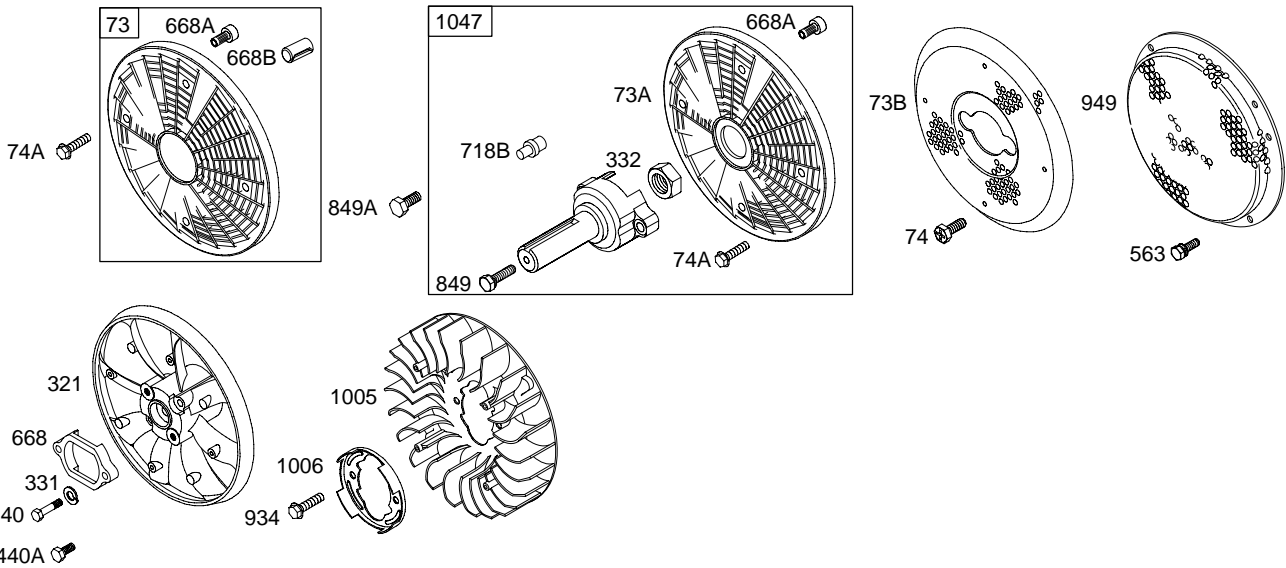
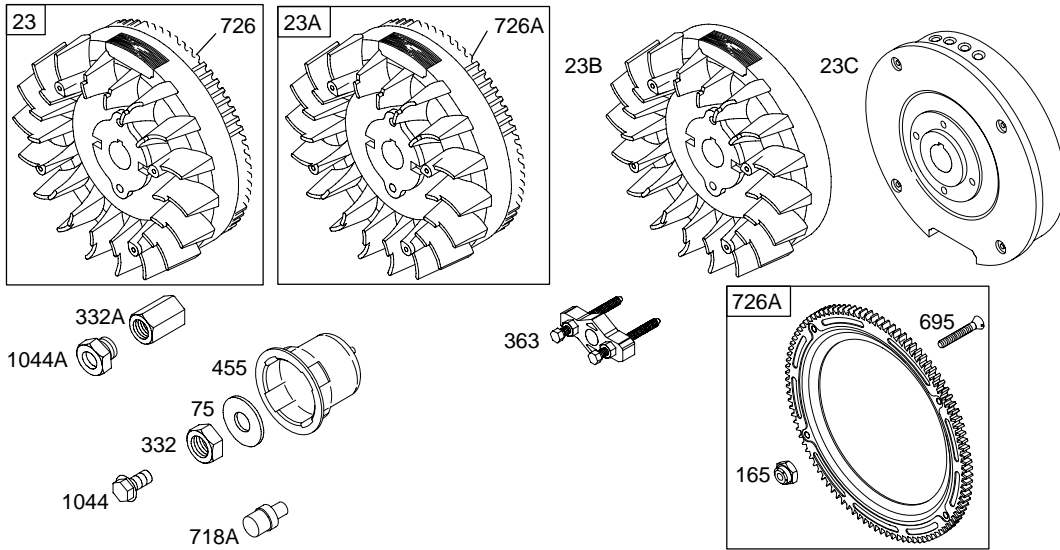
Illustrations cover a range of engines. Parts shown without corresponding text may not be used on your specific engine.
 5311-15 Assemblies include all parts shown in frames. 01/20/2003



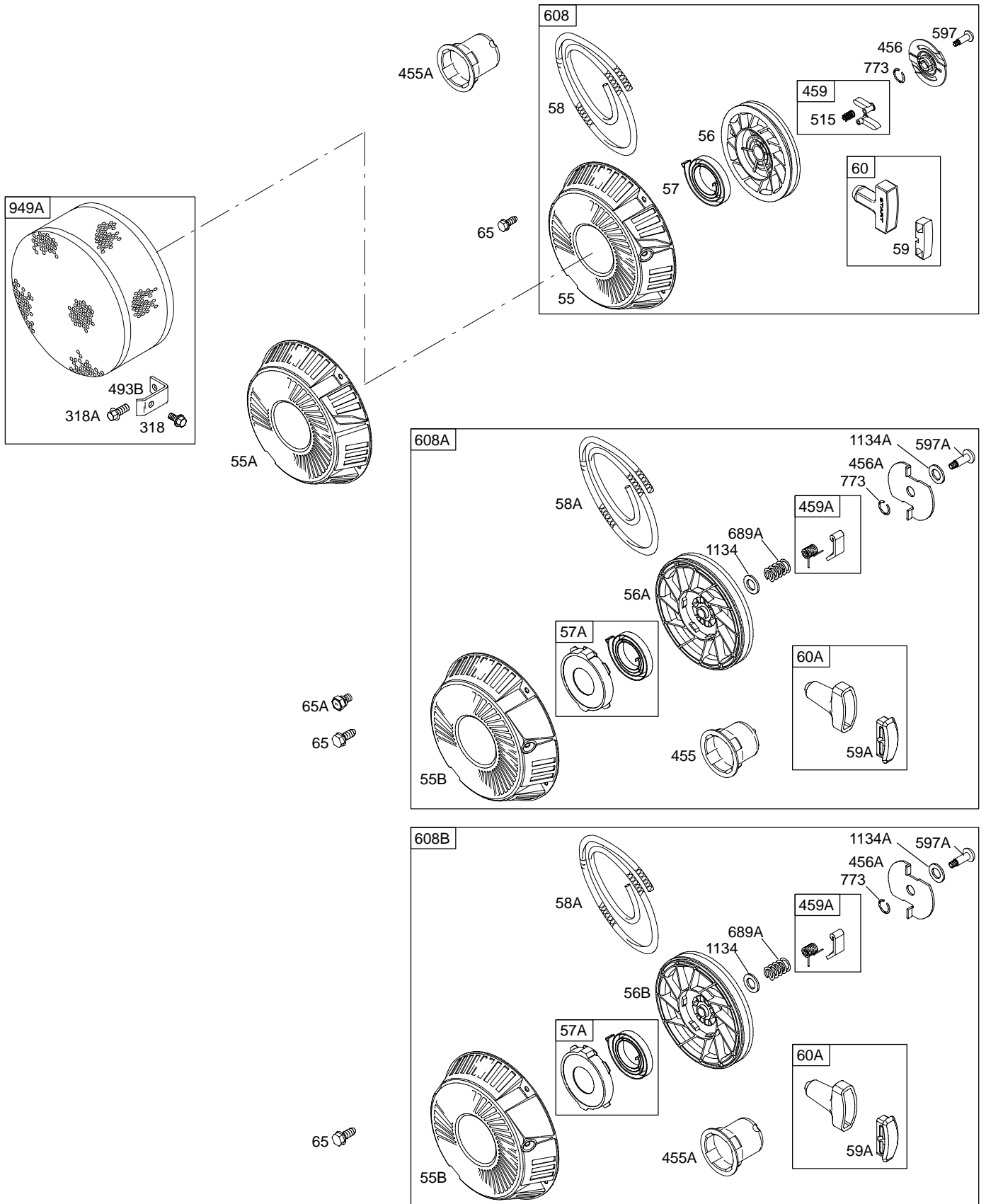
Illustrations cover a range of engines. Parts shown without corresponding text may not be used on your specific engine.
5311-16 Assemblies include all parts shown in frames. **01/20/2003**



1036 EMISSION LABEL



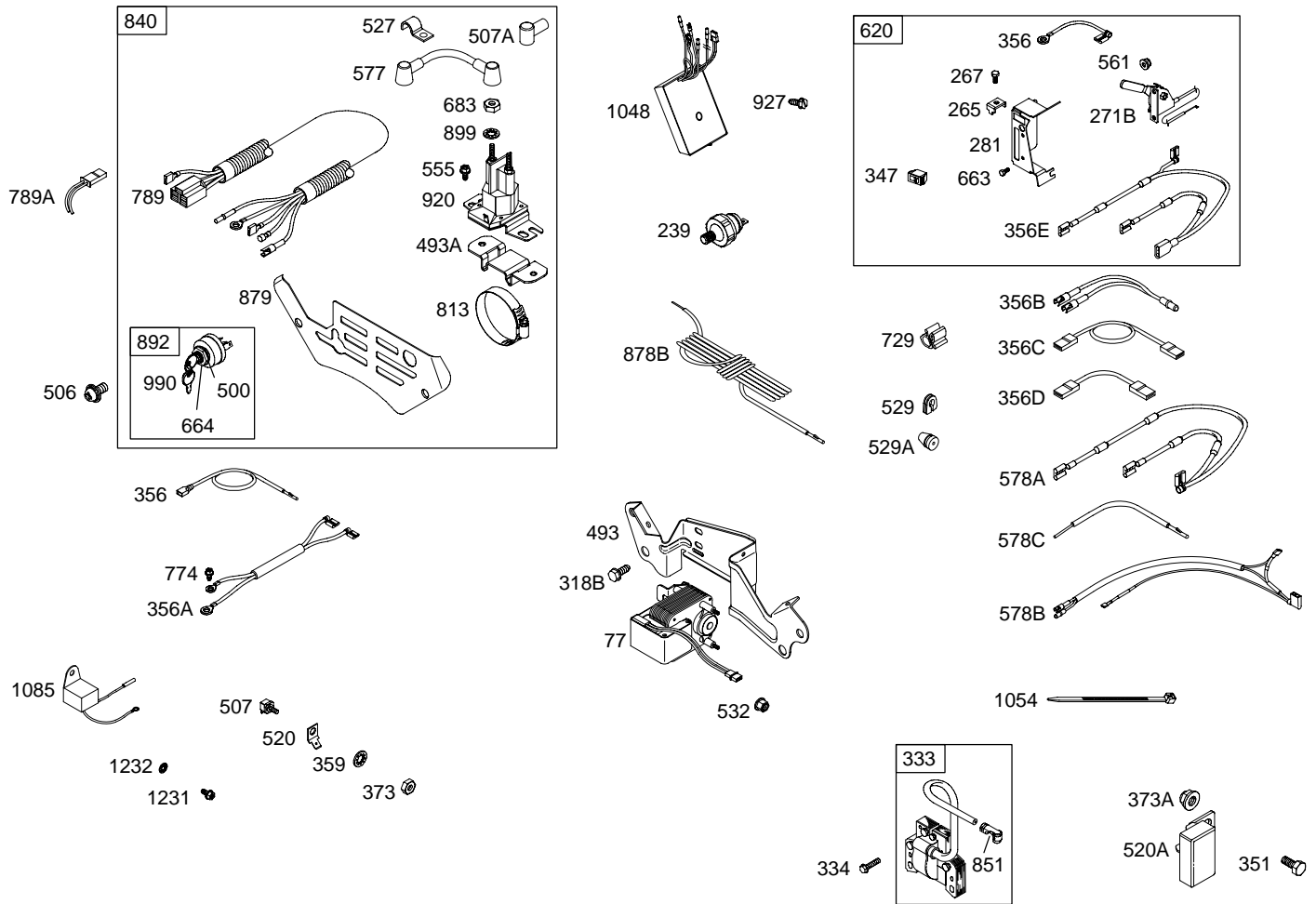
Illustrations cover a range of engines. Parts shown without corresponding text may not be used on your specific engine.
 5311-18 Assemblies include all parts shown in frames. 01/20/2003



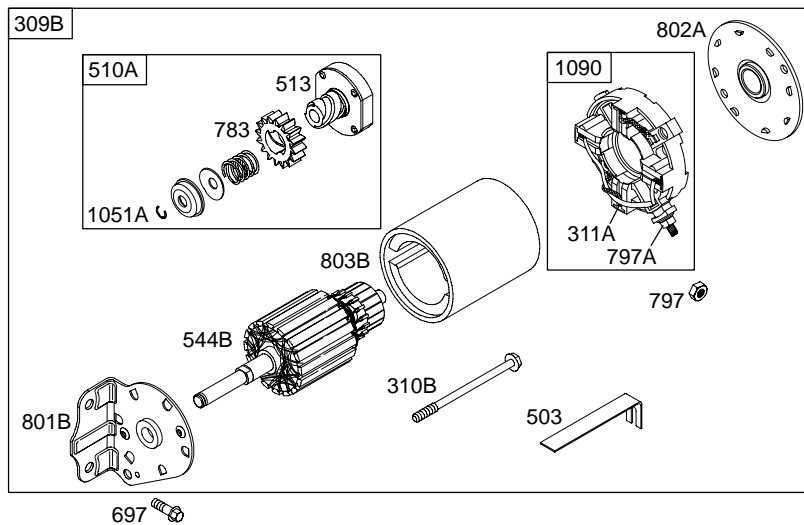
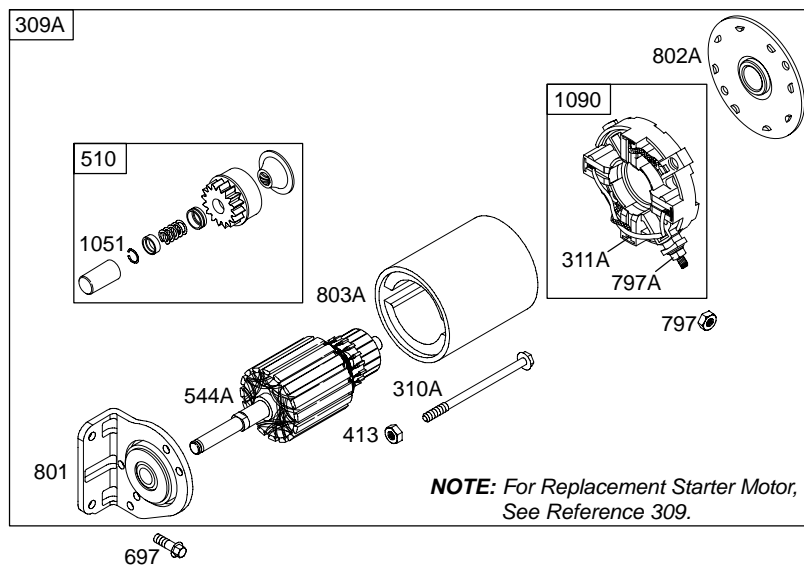
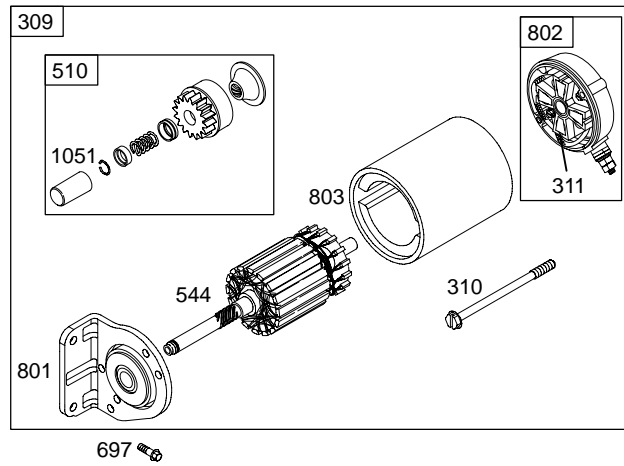
Illustrations cover a range of engines. Parts shown without corresponding text may not be used on your specific engine.
 5311-19 Assemblies include all parts shown in frames. 01/20/2003

380400

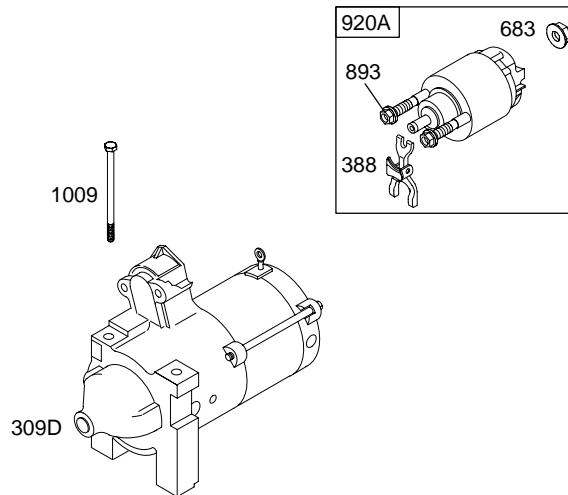
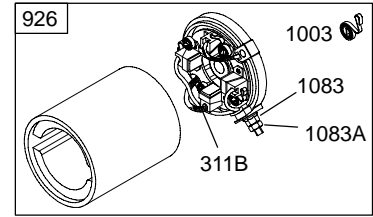
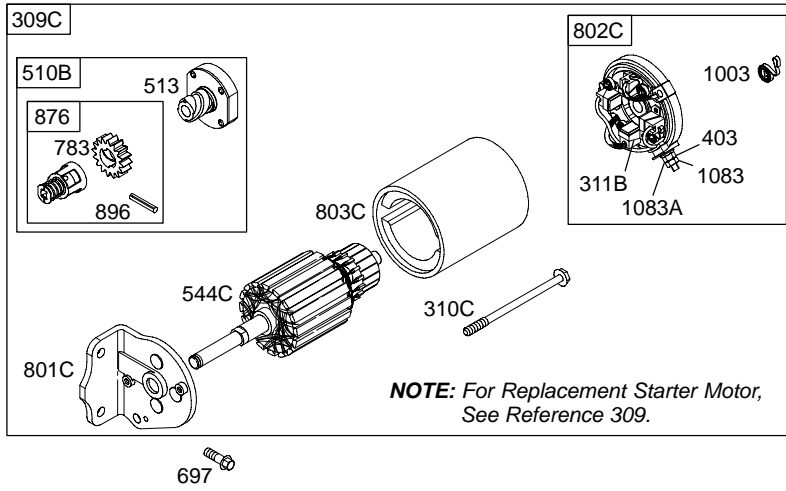
| AC ONLY | DC ONLY | DUAL CIRCUIT | TRI CIRCUIT | 5 – 9 AMP | 10 – 16 AMP | 20 AMP |
|--|----------|-----------------|----------------|------------------|----------------|------------------|
| 474 | 474A | 474B | 474C | 474C | 474D | 474E |
| | 877A | 877 | 877B | 877B | 877C | 877D |
| 578 | 578 | 878 | 878A | 578 | 578 | 578 |
| <p>NOTE: All stators use a No. 1119 mounting screw.</p> <p>NOTE: The proper flywheel part number and/or the alternator magnet size will determine the alternator type or output. See repair instruction manual for additional information.</p> | | | | 526A 501A | 526 501 | 526B 501B |



Illustrations cover a range of engines. Parts shown without corresponding text may not be used on your specific engine.
5311-20 Assemblies include all parts shown in frames. **01/20/2003**



Illustrations cover a range of engines. Parts shown without corresponding text may not be used on your specific engine.
 5311-21 Assemblies include all parts shown in frames. 01/20/2003



| REF. NO. | PART NO. | DESCRIPTION | REF. NO. | PART NO. | DESCRIPTION | REF. NO. | PART NO. | DESCRIPTION |
|----------|----------|---|----------|----------|--|----------|----------|---|
| 1 | 808650 | Cylinder Assembly ——— Note ——— 809136 Cylinder Assembly Used on Type No(s). 0112. | 20 | ★805049 | Seal–Oil (PTO Side) | 36 | 692084 | Spring–Valve (Exhaust) |
| 2 | 808534 | Kit–Bushing/Seal (Magneto Side) | 22 | 692540 | Screw (Crankcase Cover/Sump) | 37 | 690715 | Guard–Flywheel (Black) |
| 3 | ★805101 | Seal–Oil (Magneto Side) | 23 | 808768 | Flywheel (Steel Ring Gear) ——— Note ——— 808776 Flywheel (Steel Ring Gear) Used on Type No(s). 0152. | 39 | 690745 | Deflector–Oil |
| 5 | 808529 | Head–Cylinder (Cylinder 1) | 23A | 690921 | Flywheel (Aluminum Ring Gear) | 40 | 692058 | Retainer–Valve |
| 5A | 808530 | Head–Cylinder (Cylinder 2) | 23B | 690922 | Flywheel (For Rewind Starter) Used on Type No(s). 0102, 0130. | 42 | 807683 | Keeper–Valve |
| 7 | Δ★806377 | Gasket–Cylinder Head | 25 | 808527 | Piston Assembly (Standard) ——— Note ——— 808535 Piston Assembly (.010 Oversize) 808652 Piston Assembly (.020 Oversize) 808653 Piston Assembly (.030 Oversize) | 45 | 690977 | Tappet–Valve |
| 11D | 806379 | Tube–Breather | 26 | 808528 | Ring Set (Standard) ——— Note ——— 808660 Ring Set (.010 Oversize) 808661 Ring Set (.020 Oversize) 808662 Ring Set (.030 Oversize) | 46 | 690927 | Camshaft |
| 12 | ★691684 | Gasket–Crankcase | 27 | 806378 | Lock–Piston Pin | 50B | 806376 | Manifold–Intake |
| 13 | 692059 | Screw (Cylinder Head) | 28 | 808526 | Pin–Piston | 51B | ★690950 | Gasket–Intake (Manifold to Carburetor) |
| 15 | 690946 | Plug –Oil Drain | 29 | 808646 | Rod–Connecting | 51C | Δ★806418 | Gasket–Intake (Manifold to Head) |
| 16 | 691139 | Crankshaft ——— Note ——— 692171 Crankshaft Used on Type No(s). 0065, 0079, 0116, 0125, 0126, 0130, 0131, 0141, 0144, 0155, 0164. 692173 Crankshaft Used on Type No(s). 0042, 0078, 0129, 0139, 0161. 693073 Crankshaft Used on Type No(s). 0112, 0142. 692170 Crankshaft Used on Type No(s). 0076, 0077. | 32 | 690698 | Screw (Connecting Rod) | 53 | 690746 | Stud (Carburetor) |
| 17 | 690752 | Bearing–Ball | 33 | 806419 | Valve–Exhaust | 54 | 806444 | Screw (Intake Manifold) |
| 18 | 808849 | Cover–Crankcase (Used After Code Date 99072000). | 34 | 806420 | Valve–Intake | 55 | 691568 | Housing–Rewind Starter |
| 18A | 808685 | Cover–Crankcase (Used Before Code Date 99072100). | 35 | 692084 | Spring–Valve (Intake) | 56 | 692085 | Pulley–Starter |
| | | | | | | 57 | 692086 | Spring–Rewind Starter |
| | | | | | | 58 | 66574 | Rope–Starter (Cut to Required Length) |
| | | | | | | 59 | 805957 | Insert–Grip |
| | | | | | | 60 | 808167 | Grip–Starter Rope |
| | | | | | | 65 | 691982 | Screw (Rewind Starter) ——— Note ——— 692059 Screw (Rewind Starter) |
| | | | | | | 73A | 494439 | Screen–Rotating (Flush) |
| | | | | | | 74A | 691647 | Screw (Rotating Screen) |
| | | | | | | 78 | 690688 | Screw (Flywheel Guard) |
| | | | | | | 89 | 690283 | Plug–Oil |
| | | | | | | 94 | ●808257 | Kit–Idle Mixture |
| | | | | | | 95 | 690718 | Screw (Throttle Valve) |
| | | | | | | 97 | 808182 | Shaft–Throttle |
| | | | | | | 98 | 808177 | Kit–Idle Speed |
| | | | | | | 102B | ●693711 | Gasket–Carburetor Body |
| | | | | | | 104 | ●690882 | Pin–Float Hinge |
| | | | | | | 105 | ●808798 | Kit Needle Valve |
| | | | | | | 108 | 690883 | Valve–Choke |
| | | | | | | 109 | 808277 | Shaft–Choke |

★ Included in Engine Gasket Set–Ref. No.358.

● Included in Carburetor Overhaul Kit–Ref. No. 121.

◆ Included in Carburetor Gasket Set–Ref. No. 977.

⊗ Included in Valve Gasket Set–Ref. No 1095.

Illustrations cover a range of engines. Parts shown without corresponding text may not be used on your specific engine.

380400

| REF. NO. | PART NO. | DESCRIPTION | REF. NO. | PART NO. | DESCRIPTION | REF. NO. | PART NO. | DESCRIPTION |
|----------|----------|---|----------|----------|--|----------|----------|---|
| 117 | ●806438 | Jet—Main (L or Cylinder 1) | 209 | 692070 | Spring—Governor ———— Note ———— | 269 | 691026 | Wire—Control (Cut to Required Length) |
| 117A | ●806439 | Jet—Main (R or Cylinder 2) | | 692072 | Spring—Governor | 270 | 691027 | Nut (Control Wire Casing) |
| 121D | 808816 | Kit—Carburetor Overhaul | | | Used on Type No(s). 0151. | 271 | 692541 | Lever—Control |
| 122B | 690870 | Spacer—Carburetor | | 691507 | Spring—Governor | 271B | 691028 | Lever—Control |
| 125A | 808626 | Carburetor ———— Note ———— | | | Used on Type No(s). 0153, 0155. | 273 | ★690681 | Seal—O-Ring (Oil Pump) |
| | | 809449 Carburetor Used on Type No(s). 0158, 0164. | 209A | 691546 | Spring—Governor Used on Type No(s). 0042, 0078. | 276 | ★Δ690704 | Washer—Sealing (Governor Crank) |
| 130 | 690884 | Valve—Throttle | | | ———— Note ———— | 276A | ★Δ807085 | Washer—Sealing (Rocker Cover) (Used After Code Date 01120200). |
| 133 | 808180 | Float—Carburetor | | 690709 | Spring—Governor | | | ———— Note ———— |
| 142 | ●806375 | Nozzle—Carburetor (Standard) | | | Used on Type No(s). 0129, 0150, 0152, 0161. | | | 691766 Washer—Sealing (Rocker Cover) (Used Before Code Date 01120300). |
| 146 | 691639 | Key—Timing | | 690716 | Spring—Governor | 276B | 690724 | Washer—Sealing (Governor Crank) |
| 161A | 808655 | Base—Air Cleaner (Metal) | | | Used on Type No(s). 0042, 0078, 0139. | 278 | 690237 | Washer (Governor Control Lever) |
| 163A | 692087 | Gasket—Air Cleaner | 211 | 692069 | Spring—Governed Idle | 280 | 691526 | Bracket—Rod |
| 165 | 693148 | Nut (Ring Gear) | 211A | 690707 | Spring—Governed Idle Used on Type No(s). 0042, 0078, 0139. | 281 | 690742 | Panel—Control |
| 170 | 806445 | Stud (Crankcase Cover/ Sump) | | | ———— Note ———— | 287 | 692062 | Screw (Dipstick Tube) |
| 186 | 693184 | Connector—Hose | | 691504 | Spring—Governed Idle | 290 | 691537 | Screw (Intake Elbow) (70mm Long) |
| 187 | 691050 | Line—Fuel | | | Used on Type No(s). 0129, 0150, 0152, 0161. | | | ———— Note ———— |
| 188 | 692056 | Screw (Control Bracket) | 216A | 691542 | Link—Choke | | | 690866 Screw (Intake Elbow) |
| 192 | 807623 | Adjustor—Rocker Arm | 222 | 808454 | Bracket—Control | 290A | 691492 | Screw (Intake Elbow) (30mm Long) |
| 197 | 807163 | Screw (Backplate) | 227 | 690236 | Lever—Governor Control | 300B | 498984 | Muffler Used on Type No(s). 0151. |
| 202 | 691536 | Link—Mechanical Governor | 231 | 690718 | Screw (Choke Valve) | 300E | 808752 | Muffler Used on Type No(s). 0153. |
| 203 | 690923 | Crank—Bell | 232A | 691538 | Spring—Governor Link | 300M | 808705 | Muffler ———— Note ———— |
| 203B | 808753 | Crank—Bell Used on Type No(s). 0075, 0078, 0100, 0101, 0102, 0112, 0125, 0130, 0136, 0137, 0139, 0142, 0143, 0144, 0150, 0151, 0152, 0153, 0154, 0155, 0158, 0161, 0164. | 239 | 690233 | Switch—Oil Pressure | | | 808896 Muffler Used on Type No(s). 0136, 0154, 0164. |
| 206 | 691244 | Nut—Governor Adjusting | 240A | 691035 | Filter—Fuel | | | |
| 208 | 691549 | Rod—Governor Control | 262 | 692083 | Screw (Rod Bracket) | | | |
| | | | 265 | 691024 | Clamp—Casing | | | |
| | | | 267 | 692083 | Screw (Casing Clamp) | | | |
| | | | 268 | 691025 | Casing—Control Wire (Cut to Required Length) | | | |

★ Included in Engine Gasket Set—Ref. No.358.

● Included in Carburetor Overhaul Kit—Ref. No. 121.

◆ Included in Carburetor Gasket Set—Ref. No. 977.

⊗ Included in Valve Gasket Set—Ref. No 1095.

Illustrations cover a range of engines. Parts shown without corresponding text may not be used on your specific engine.

5311–24

Assemblies include all parts shown in frames.

01/20/2003

| REF. NO. | PART NO. | DESCRIPTION | REF. NO. | PART NO. | DESCRIPTION | REF. NO. | PART NO. | DESCRIPTION |
|----------|----------|---|----------|----------|---|----------|----------|---|
| 304 | 808658 | Housing-Blower (Red) Note 808651 Housing-Blower (Black) Used on Type No(s). 0048, 0112, 0139, 0155. | 309D | 808817 | Motor-Starter Used on Type No(s). 0112. | 373 | 691612 | Nut (Ground Terminal) |
| 304A | 808651 | Housing-Blower (Black) (Used After Code Date 99101300). Used on Type No(s). 0130. | 310 | 496880 | Bolt (Starter Motor) (4 1/4" Long) | 377 | 806066 | Key-Woodruff Note 808095 Key-Woodruff Used on Type No(s). 0042, 0078, 0129, 0139, 0150, 0152, 0155, 0164. |
| 305 | 692056 | Screw (Blower Housing) (14mm) | 310A | 690323 | Bolt (Starter Motor) (4 7/16" Long) | 383 | 19374 | Wrench-Spark Plug |
| 308 | 806547 | Cover-Cylinder Head (Cylinder 1)(Black) | 310B | 691263 | Bolt (Starter Motor) (4 13/16" Long) | 385 | 807084 | Screw (Fuel Pump) |
| 308B | 806545 | Cover-Cylinder Head Used on Type No(s). 0144, 0153. Note 806544 Cover Cylinder Head Used on Type No(s). 0144, 0153. | 311 | 496887 | Brush Set | 387 | 808656 | Pump-Fuel |
| 308C | 806546 | Cover-Cylinder Head (Cylinder 2)(Black) | 311A | 497608 | Brush Set | 388 | 820799 | Lever-Pinion Drive |
| 309 | 691564 | Motor-Starter (Services Steel Ring Gear Only) | 322 | 692539 | Screw (Cylinder Head Cover) | 400 | 808657 | Cooler-Oil |
| 309A | | Motor-Starter (Services Steel Ring Gear Only) (For Replacement Starter Motor, See Ref 309) | 322A | 692067 | Screw (Cylinder Head Cover) | 413 | 693587 | Nut (Starter Motor) |
| 309B | 499521 | Motor-Starter (Services Aluminum Ring Gear Only) (Used Before Code Date 98071600). Used on Type No(s). 0100. | 332 | 690887 | Nut (Flywheel) | 414 | 690344 | Washer (Bell Crank) |
| | | | 333 | 492341 | Armature-Magneto | 415 | 690283 | Plug Used on Type No(s). 0155. |
| | | | 334 | 692066 | Screw (Magneto Armature) Note 691552 Screw (Magneto Armature) Used on Type No(s). 0152. | 417 | 810074 | Screw (Oil Cooler) |
| | | | 337 | 491055 | Spark Plug | 431 | 808659 | Elbow-Intake |
| | | | 338 | 691312 | Gasket-Dipstick | 431A | 691534 | Elbow-Intake |
| | | | 347 | 691995 | Switch-Rocker | 432 | 691509 | Cap-Spring |
| | | | 349 | 690238 | Nut (Cylinder Head Cover) | 439 | ★692154 | O-Ring Seal (Crankcase Cover/ Sump) |
| | | | 356 | 807063 | Wire-Stop Used on Type No(s). 0112. Note 690796 Wire-Stop Used on Type No(s). 0130. | 445 | 692519 | Filter-Air Cleaner Cartridge |
| | | | 356E | 691999 | Wire-Stop | 447 | 807163 | Screw (Air Guide Cover) |
| | | | 357 | 691483 | Key-Drive Pulley Used on Type No(s). 0151, 0153, 0158. | 448 | 806423 | Bracket-Oil Cooler |
| | | | 358B | 808617 | Gasket Set-Engine | 455 | 690864 | Cup-Flywheel |
| | | | 359 | 691077 | Washer (Ground Terminal) | 456 | 691529 | Plate-Pawl Friction |
| | | | 363 | 19203 | Puller Flywheel | 459 | 808166 | Pawl-Ratchet |
| | | | | | | 466 | 806466 | Seal-O-Ring (Breather Assembly) |
| | | | | | | 467 | 691985 | Knob-Air Cleaner |
| | | | | | | 468 | ★690690 | Seal-O Ring (Oil Pump Screen) |
| | | | | | | 474 | 691953 | Alternator Used on Type No(s). 0152. |
| | | | | | | 474C | 698014 | Alternator (Tri Circuit) Used on Type No(s). 0161. |
| | | | | | | 474D | 696458 | Alternator (10 To 16 Amp) |

★ Included in Engine Gasket Set-Ref. No.358.

● Included in Carburetor Overhaul Kit-Ref. No. 121.

◆ Included in Carburetor Gasket Set-Ref. No. 977.

⊘ Included in Valve Gasket Set-Ref. No 1095.

Illustrations cover a range of engines. Parts shown without corresponding text may not be used on your specific engine.

380400

| REF. NO. | PART NO. | DESCRIPTION | REF. NO. | PART NO. | DESCRIPTION | REF. NO. | PART NO. | DESCRIPTION |
|----------|----------|--|----------|----------|--|----------|----------|---|
| 478B | 691533 | Panel | 526A | 690717 | Screw Used on Type No(s). 0161. | 596 | 691492 | Screw (Oil Pump) |
| 479 | 692537 | Screw (Oil Pump Screen) | 527 | 690423 | Clamp-Tube | 597 | 690876 | Screw (Pawl Friction Plate) |
| | | Note | 529 | 690744 | Grommet | 598 | 807625 | Shim-End Play (Crankshaft) |
| | | 807084 Screw (Oil Pump Screen) | 544 | 690855 | Armature-Starter | 601 | 691038 | Clamp-Hose |
| 493A | 691177 | Bracket-Mounting (Solenoid) | 544A | 693548 | Armature-Starter | | | Note |
| 500 | 691086 | Washer (Key Switch) | 544B | | Armature-Starter (Serviced By 499521 Starter Motor Only) | 601A | 691145 | Clamp-Hose |
| 501 | 691185 | Regulator (10 To 16 Amp) | 552 | 690701 | Bushing-Governor Crank (Output End) | 608 | 692102 | Starter-Rewind |
| 501A | 691188 | Regulator Used on Type No(s). 0161. | 552A | 806686 | Bushing-Governor Crank (Flanged) | 613 | 691902 | Screw (Muffler) |
| 503 | 691532 | Strap-Starter | | | (Used After Code Date 99072000). | | | Note |
| 505 | 690238 | Nut (Governor Control Lever) | 552B | 690702 | Bushing-Governor Crank (Flanged) | 615 | 691550 | Retainer-Governor Shaft (Used After Code Date 99072000). |
| 507A | 691972 | Insulator | | | (Used Before Code Date 99072100). | 615A | 805417 | Retainer-Governor Shaft (Used Before Code Date 99072100). |
| 510A | 497606 | Drive-Starter | 555 | 692067 | Screw (Starter Solenoid) | 616 | 806685 | Crank-Governor (Used After Code Date 99072000). |
| 513 | 692024 | Clutch-Drive | 561 | 690713 | Nut (Control Lever) | 616A | 690899 | Crank-Governor (Used Before Code Date 99072100). |
| 515 | 691528 | Spring-Pawl | 562 | 690239 | Bolt (Governor Control Lever) | 620 | 494052 | Panel-Speed Control Used on Type No(s). 0048, 0065, 0075, 0076, 0079, 0116, 0125, 0142, 0146. |
| 520 | 691084 | Terminal-Ground | 563 | 691982 | Screw (Debris Guard Screen) | 628 | 806660 | Screw (Fuel Pump Bracket) |
| 522 | 491832 | Plug-Dipstick/Fill | | | Used on Type No(s). 0153. | 633 | 690722 | Seal-Choke/Throttle Shaft |
| 523 | 692100 | Dipstick Used on Type No(s). 0100. (Used Before Code Date 98053100). | 565 | 690682 | Stud (Oil Filter Adapter) | 635 | 692076 | Boot-Spark Plug |
| 523A | 693175 | Dipstick | 573 | 690902 | Plate-Back | 638 | 691551 | Washer (Cylinder Cover) |
| 524 | 693172 | Seal-Dipstick Tube (Used After Code Date 98053000). | | | Note | 638A | 690706 | Washer (Cylinder Cover) |
| | | Note | | | 693045 Plate-Back Used on Type No(s). 0112. | 643 | 692079 | Retainer-Air Filter |
| | | 281370 Seal-Dipstick Tube (Used Before Code Date 98053100). Used on Type No(s). 0100. | 577 | 690795 | Cable-Starter | | | |
| 525 | 693174 | Tube-Dipstick | 578 | 692306 | Wire-Stop Used on Type No(s). 0150, 0152, 0154, 0158. | | | |
| 525C | 690897 | Tube-Dipstick (Used Before Code Date 98053100). Used on Type No(s). 0100. | 578A | 692319 | Wire Assembly | | | |
| 526 | 692067 | Screw (Regulator) (10 To 16 Amp) | | | | | | |

★ Included in Engine Gasket Set-Ref. No.358.

● Included in Carburetor Overhaul Kit-Ref. No. 121.

◆ Included in Carburetor Gasket Set-Ref. No. 977.

⊗ Included in Valve Gasket Set-Ref. No 1095.

Illustrations cover a range of engines. Parts shown without corresponding text may not be used on your specific engine.

5311-26

Assemblies include all parts shown in frames.

01/20/2003

| REF. NO. | PART NO. | DESCRIPTION | REF. NO. | PART NO. | DESCRIPTION | REF. NO. | PART NO. | DESCRIPTION |
|----------|----------|--|----------|----------|---|----------|----------|--|
| 650 | 692539 | Screw (Oil Deflector) | 783 | 693059 | Gear–Pinion (Services Aluminum Ring Gear Only) | 849 | 691088 | Screw (Stub Shaft) ———— Note ———— |
| 654 | 690939 | Nut (Carburetor) | 788 | 691559 | Bracket–Fuel Pump | | 690342 | Stub–Shaft Used on Type No(s). 0164. |
| 663 | 692083 | Screw (Control Panel) | 789 | 691996 | Harness–Wiring | | | |
| 664 | 691087 | Nut (Key Switch) | 797 | 691029 | Nut (Brush Retainer) | 851 | 493880 | Terminal–Spark Plug |
| 668A | 691500 | Spacer | 797A | 693167 | Nut (Brush Retainer) | 862B | 691539 | Strap/Stud–Air Cleaner Mounting |
| 683 | 691029 | Nut (Starter Solenoid) ———— Note ———— | 801A | 808778 | Cap–Drive | 865 | 690750 | Cover–Air Guide (Valley) (Black) |
| | | 820813 Nut (Starter Solenoid) | 801B | 691429 | Cap–Drive | 865A | 690901 | Cover–Air Guide Used on Type No(s). 0144, 0153. |
| 689 | 691272 | Spring–Friction | 802 | 496813 | Cap–End | | | |
| 691 | 690680 | Seal–Governor Shaft | 802A | 691286 | Cap–End | 868 | Δ691963 | Seal–Valve |
| 695 | 693109 | Screw (Ring Gear) | 803 | 690854 | Housing–Starter | 871 | 692057 | Bushing–Valve Guide |
| 697 | 692062 | Screw (Drive Cap) | 803A | 693547 | Housing–Starter | 877B | 393537 | Wire Connector |
| 711A | 692539 | Screw (Air Cleaner Base To Carburetor) | 803B | | Housing–Starter (Serviced By 499521 Starter Motor Only) | 877C | 399916 | Wire/Connector Alternator (2 Wires, 7–53/64” Long)(2 Bare Wire Ends, And Insulated Snap Connect Male Pin Terminal) |
| 718 | 806469 | Pin–Locating | 812 | Δ807084 | Nut (Rocker Cover) (Used After Code Date 01120200). ———— Note ———— | | | |
| 718B | 690740 | Pin–Locating Used on Type No(s). 0112. | | | 692055 Nut (Rocker Cover) (Used Before Code Date 01120300). | 883A | ★Δ806425 | Gasket–Exhaust |
| 726 | | Gear–Ring (Steel)(Sold in Flywheel Kit Only; Ref. 23) | 813 | 690635 | Clamp | 884A | 691956 | Clamp–Muffler Used on Type No(s). 0151. |
| 726A | 807805 | Gear –Ring (Aluminum) | 816 | 690706 | Washer (Oil Filter Adapter) | 892 | 692318 | Switch–Key |
| 727 | 690714 | Cover–Starter Drive | 822 | 690724 | Seal–O Ring (Carburetor Plug) | 893 | 820809 | Nut (Starter Solenoid) |
| 729 | 690586 | Clip–Wire | 830 | 691544 | Stud–Rocker Arm | 899 | 691077 | Washer (Starter Solenoid) |
| 732 | 690688 | Screw (Starter Drive Cover) ———— Note ———— | 833 | 690982 | Screw (Air Cleaner Mounting Strap/Stud) | 914 | 806421 | Screw (Rocker Cover) |
| | | 807163 Screw (Starter Drive Cover) | 833A | 807084 | Screw (Air Cleaner Mounting Strap/Stud) | 918 | 393815 | Hose–Vacuum (Cut to Required Length) |
| 732A | 692539 | Screw (Starter Drive Cover) | 837 | 808085 | Spacer–Muffler Used on Type No(s). 0158, 0164. | 920 | 691656 | Solenoid–Starter |
| 737 | 690679 | Screw (Oil Filter Adapter) | 840 | 692096 | Kit–Panel | 920A | 825418 | Solenoid–Starter |
| 739 | 690451 | Clip–Debris | 842 | 690611 | Seal–O Ring (Dipstick/Tube) | 934 | 691058 | Screw (Fan Retainer) |
| 741 | 691530 | Gear–Timing | | | | 947 | 808624 | Solenoid–Fuel |
| 773 | 690875 | Retainer | | | | 949 | 690475 | Guard–Debris Screen Used on Type No(s). 0153. |

★ Included in Engine Gasket Set–Ref. No.358.

● Included in Carburetor Overhaul Kit–Ref. No. 121.

◆ Included in Carburetor Gasket Set–Ref. No. 977.

⊘ Included in Valve Gasket Set–Ref. No 1095.

Illustrations cover a range of engines. Parts shown without corresponding text may not be used on your specific engine.

380400

| REF. NO. | PART NO. | DESCRIPTION | REF. NO. | PART NO. | DESCRIPTION | REF. NO. | PART NO. | DESCRIPTION |
|----------|----------|---|----------|----------|---|----------|----------|--|
| 955 | 808176 | Plug-Carburetor (Solenoid) | 1023C | 690910 | Cover-Rocker | 1047 | 807867 | Stud-Shaft Used on Type No(s). 0112. |
| 955A | 807723 | Plug-Carburetor (Jet) | 1024 | 693185 | Pump-Oil | 1051 | 691124 | Ring-Retaining |
| 967A | 692520 | Filter-Pre Cleaner | 1025 | 690689 | Spool-Governor | 1051A | 691265 | Ring-Retaining |
| 968A | 808654 | Cover-Air Cleaner | 1026 | 691836 | Rod-Push (Intake, Steel) | 1054 | 280275 | Tie-Cable |
| 971B | 691492 | Screw (Air Cleaner Base To Carburetor) | | | Note | 1058 | 275368 | Owner's Manual |
| 975 | 808627 | Bowl-Float | | | 691758 Rod-Push (Exhaust, Aluminum) | 1059 | 698516 | Kit-Screw/Washer Used on Type No(s). 0146. |
| 987 | ●692090 | Seal-Throttle Shaft | 1027 | 492932 | Filter-Oil | 1068 | 499501 | Hose/Clamp Assembly (Cut To Required Length) |
| 988 | ★692063 | Gasket-Oil Adapter | 1028B | 808537 | Adapter-Oil Filter | 1090 | 691293 | Retainer-Brush |
| 990 | 691959 | Key Set | 1029 | 691543 | Arm-Rocker | 1091 | ●691516 | Cap-Limiter |
| 996B | 690917 | Shield-Carburetor | 1036 | 806888 | Label-Emissions (Used After Code Date 00063000). | 1095 | 808619 | Gasket Set-Valve |
| 1004A | 806422 | Duct-Air | | | Note | 1100 | 690973 | Pivot-Rocker Arm |
| 1005 | 690911 | Fan-Flywheel | | | 806700 Label-Emissions (Used After Code Date 99093000 and Before Code Date 00070100). | 1113 | 690677 | Screw (Panel) |
| 1006 | 690452 | Retainer-Fan | | | 806646 Label-Emissions (Used After Code Date 98123100 and Before Code Date 99100100). | 1119 | 691552 | Screw (Alternator) |
| 1009 | 806474 | Screw (Starter Motor) | | | 692816 Label-Emissions (Used Before Code Date 99010100). | 1127 | 690885 | Screw (Float Bowl) |
| 1017 | 690900 | Screen-Oil Pump | | | | 1131 | 806446 | Nut (Crankcase Cover/Sump) |
| 1019 | 808539 | Kit-Label | | | | 1139 | 806497 | Washer (Fuel Pump Bracket) |
| 1022 | ★△806039 | Gasket-Rocker Cover | | | | 1155 | 806647 | Washer (Oil Cooler) |
| 1023 | 690758 | Cover-Rocker | | | | 1157 | 806447 | Nut (Bell Crank) |
| 1023A | 808648 | Cover-Rocker (Includes Breather Assembly) | | | | 1158 | 807468 | Screw (Carburetor) (Plugging of Anything) |

★ Included in Engine Gasket Set-Ref. No.358.

● Included in Carburetor Overhaul Kit-Ref. No. 121.

◆ Included in Carburetor Gasket Set-Ref. No. 977.

∅ Included in Valve Gasket Set-Ref. No 1095.

Illustrations cover a range of engines. Parts shown without corresponding text may not be used on your specific engine.