

430400 to 430499

Illustrated Parts List

Model Series

430400 to 430499

GAS

TYPE NUMBERS
0105, 0205, 0305.

TO FIND THE CORRECT NUMBER OF THE PART YOU NEED: FOLLOW THE INSTRUCTIONS BELOW

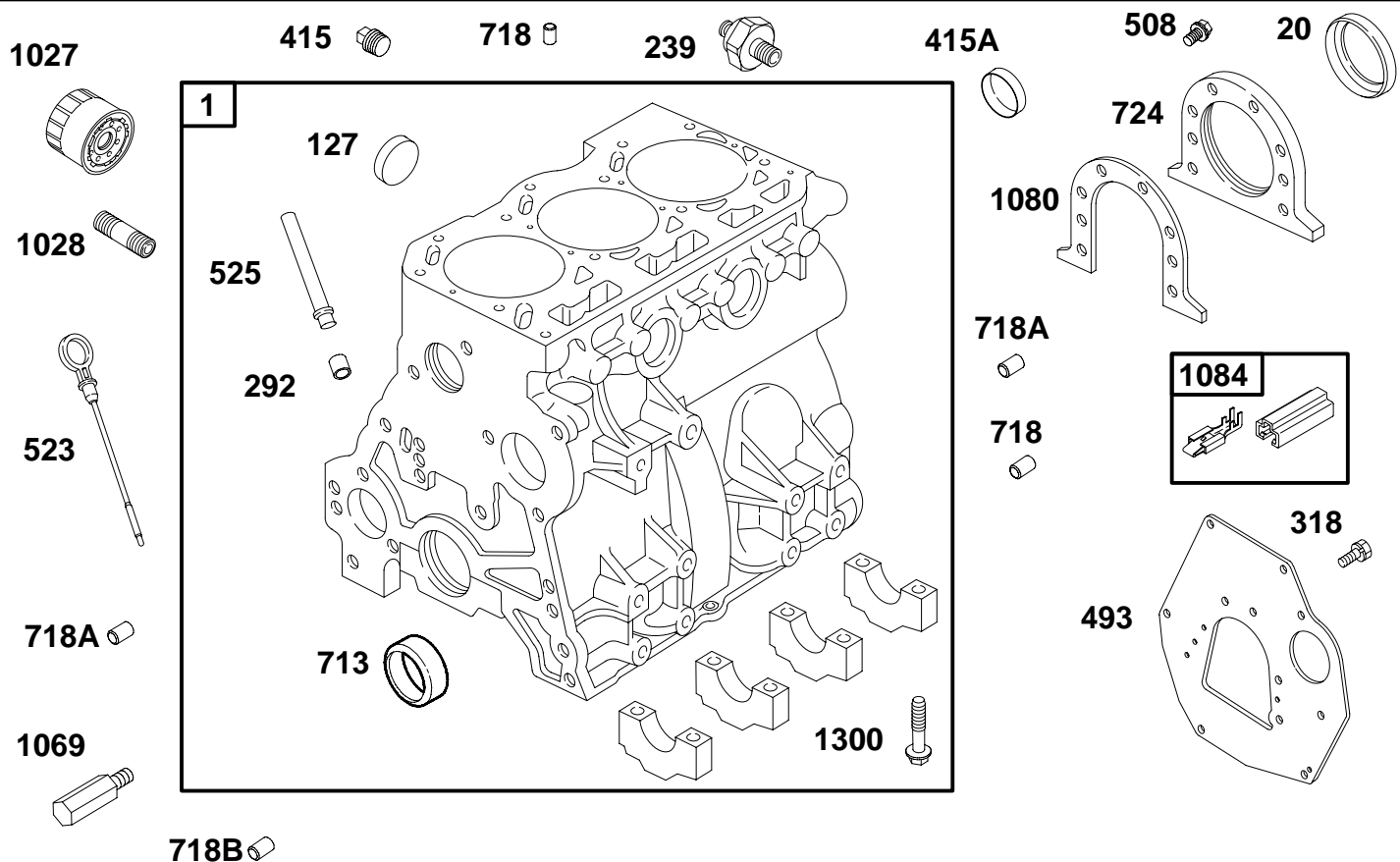
- A. Refer to Model, Type and Code Number that is located on the engine. Engine type numbers such as 0123 01 are listed only as 0123 in most instances. The two digits (01 or 02, etc.) to the right of the space may be required for more accurate parts identification in some instances. Select the Illustrated Parts List covering the correct Model Series and Type Number.
- B. Refer to the Illustrations and compare the original part with Illustration. The number next to the illustration is the Reference Number. Assemblies include all parts shown in frames. All parts shown in assembly frames having individual reference numbers can be purchased separately.
- C. After the Reference Number has been identified, refer to the Numerical text, where Reference and Primary Part Number are listed. **THE PRIMARY PART IS USED ON ALL TYPE NUMBERS EXCEPT THOSE TYPE NUMBERS UNDER "NOTE"**.
- D. If a "Note" appears below the Primary Part Number, it means that this part differs from the Primary Part for certain types. If your Type number is listed under "Note", order the part referred to at the "Note".
- E. If your Engine Type Number does not appear after any part number listed under "Note", use the Primary Part Number.
- F. For Engine Type Numbers not covered by this book, check other Parts Lists having the same engine model or contact your source of supply.
- G. **REFER TO REPAIR MANUAL MS 0750 FOR ASSEMBLY AND/OR TORQUE REQUIREMENTS.**

PRINTED IN U.S.A.



COPYRIGHT by BRIGGS & STRATTON DAIHATSU LLC
All rights reserved. No part of this material may be reproduced or transmitted, in any form or by any means, electronic or mechanical, including photocopying, recording or by any information storage and retrieval system, without permission in writing from Briggs & Stratton DAIHATSU LLC.

430400 to 430499

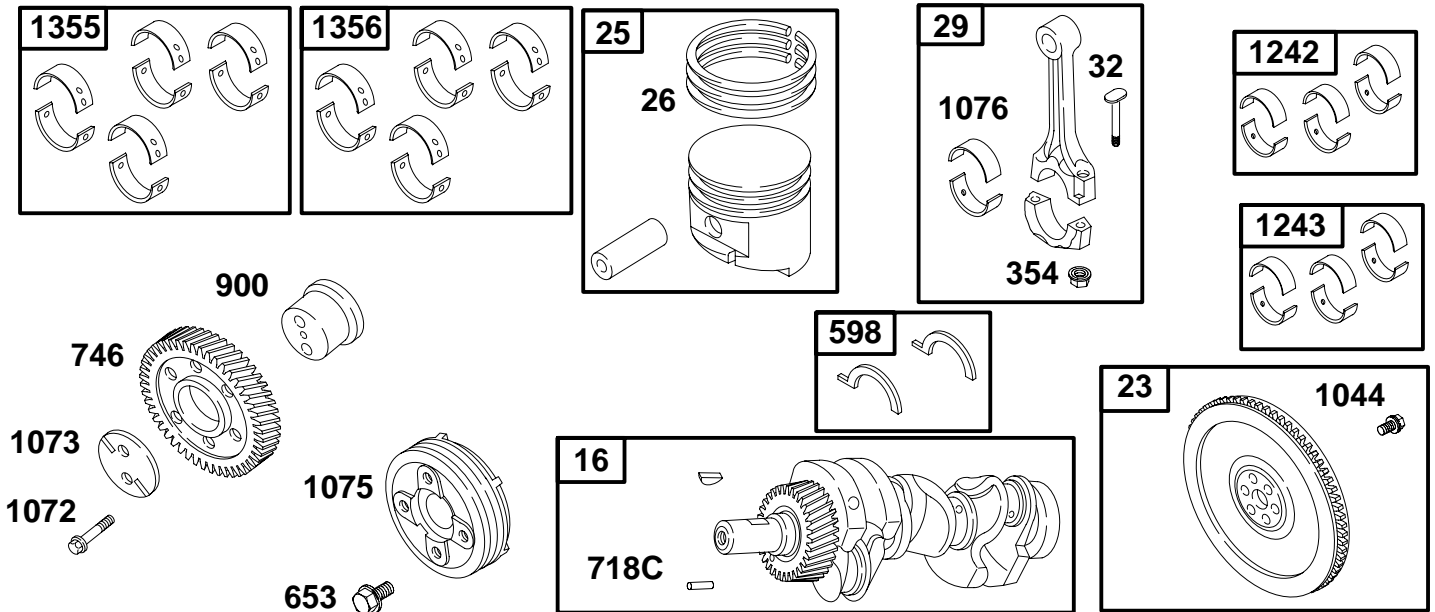


REF. NO.	PART NO.	DESCRIPTION	REF. NO.	PART NO.	DESCRIPTION	REF. NO.	PART NO.	DESCRIPTION
1	825333	Cylinder Assembly (9 mm) (Used After Code Date 99063000). Used on Type No(s). 0205, 0305. Note 825333 Cylinder Assembly (9 mm) (Used After Code Date 98123100 and Before Code Date 99070100). Used on Type No(s). 0105. 825027 Cylinder Assembly (8 mm) (Used Before Code Date 99010100).	20	★820056	Seal-Oil (PTO Side)	1027	491056	Filter-Oil
			127	820004	Plug-Welch	1028	820050	Adapter-Oil Filter
			239	825000	Switch-Oil Pressure	1069	820102	Nozzle-Oil
			292	820662	Collar-Dipstick Tube	1080	★820145	Gasket-Seal Retainer
			318	820176	Screw (Mounting Bracket)	1084	825154	Connector-Terminal (Oil Pressure Switch)
			415	820051	Plug	1300	820042	Screw (Crankshaft Bearing Cap)
			415A	820151	Plug (Camshaft)			
			493	820170	Bracket-Mounting			
			508	820031	Screw (Seal Retainer)			
			523	820103	Dipstick			
			525	820144	Tube-Dipstick			
			713	820129	Bushing-Camshaft			
			718	820063	Pin-Locating			
			718A	820062	Pin-Locating			
			718B	820061	Pin-Locating			
			724	820146	Retainer-Seal			

★ Engine Gasket Set – Reference 359
◆ Carburetor Overhaul Kit – Reference 121

□ Carburetor Overhaul Kit – Reference 121A
△ Valve Gasket Set – Reference 1095

430400 to 430499

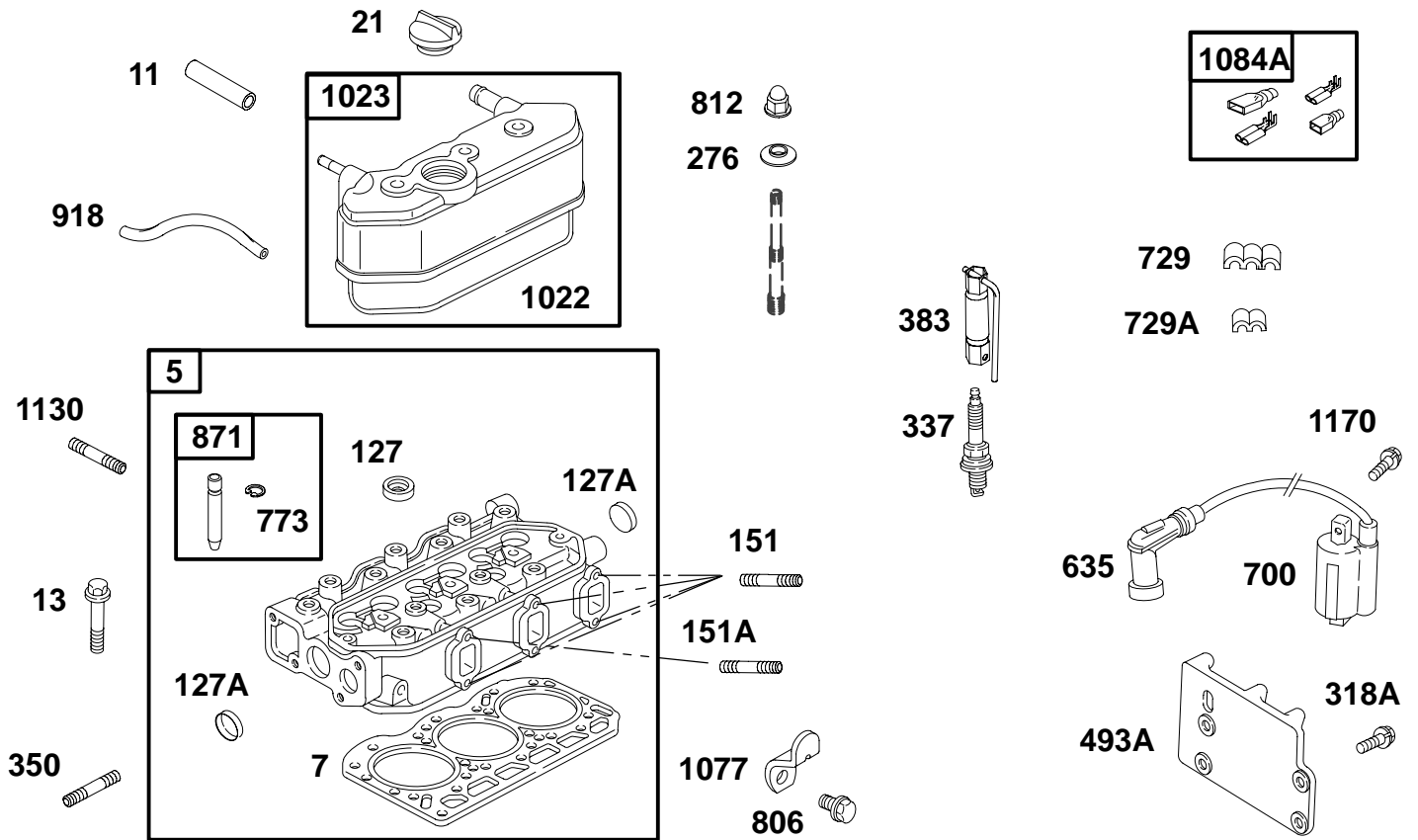


REF. NO.	PART NO.	DESCRIPTION	REF. NO.	PART NO.	DESCRIPTION	REF. NO.	PART NO.	DESCRIPTION
16	825345	Crankshaft (Used After Code Date 98123100). ———— Note ———— 825016 Crankshaft (Used Before Code Date 99010100).	29	825033	Rod—Connecting	900	820116	Shaft—Gear
			32	820128	Screw (Connecting Rod)	1044	820080	Screw (Flywheel)
			354	820073	Nut (Connecting Rod)	1072	820081	Screw (Idler Gear Plate)
			598	820140	Shim—Endplay (Standard) ———— Note ———— 820139 Shim— Endplay (.010" Oversize)	1073	820117	Plate—Idler Gear
23	825303	Flywheel				1075	820236	Pulley—Crankshaft
25	825038	Piston Assembly (Standard) ———— Note ———— 825018 Piston Assembly (.010" Oversize)	653	820079	Screw (Crankshaft Pulley)	1076	820142	Bearing—Rod (Standard)
			718C	820059	Pin—Locating (Crankshaft)	1242	825019	Bearing Set/STD—Rod (Standard)
26	825091	Ring Set (Standard) ———— Note ———— 825092 Ring Set (.010" Oversize)	746	820611	Gear—Idler (Left Helix) (Used After Code Date 99063000). ———— Note ———— 825013 Gear—Idler (Right Helix) (Used Before Code Date 99010100).	1243	825060	Bearing Set/010—Rod (.010" Undersize)
						1355	825040	Bearing Set/STD—Main
						1356	825039	Bearing Set/010—Main

★ Engine Gasket Set – Reference 359
◆ Carburetor Overhaul Kit – Reference 121

□ Carburetor Overhaul Kit – Reference 121A
△ Valve Gasket Set – Reference 1095

430400 to 430499





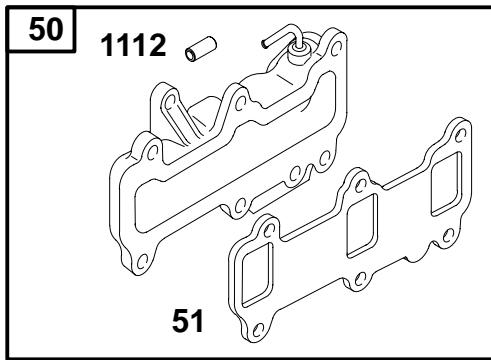
REF. NO.	PART NO.	DESCRIPTION	REF. NO.	PART NO.	DESCRIPTION	REF. NO.	PART NO.	DESCRIPTION
5	825545	Head-Cylinder	276	★△820064	Washer-Sealing (Rocker Cover)	918	820393	Hose-Vacuum (Carburetor to Manifold)
7	★△820650	Gasket-Cylinder Head	318A	820024	Screw (Mounting Bracket)	1022	★△820150	Gasket-Rocker Cover
11	820048	Tube-Breather	337	491055	Plug-Spark	1023	825277	Cover-Rocker (Used After Code Date 97022800).
13	820623	Screw (Cylinder Head) (9 mm) (Used After Code Date 98123100).	350	820078	Stud (Water Pump)	Note		
		Note	383	89838	Wrench-Spark Plug	493A	820083	825088 Cover-Rocker (Used Before Code Date 97030100).
21	825024	Cap-Oil Fill	493A	820083	Bracket-Mounting	635	820084	Boot-Spark Plug
127	820004	Plug-Welch	700	820037	Coil-Ignition	729	820672	Clip-Wire
127A	820005	Plug-Welch	729A	820046	Clip-Wire	1077	820260	Bracket-Lifting
151	820014	Stud (Exhaust Manifold)	773	820130	Retainer	1084A	825155	Connector-Terminal
151A	820466	Stud (Exhaust Manifold)	806	820024	Screw (Lifting Bracket)	1130	820015	Stud (Intake Manifold)
			812	820071	Nut (Rocker Cover)	1170	820012	Screw (Ignition Coil)
			871	825030	Bushing-Valve Guide			



★ Engine Gasket Set – Reference 359
 ◆ Carburetor Overhaul Kit – Reference 121

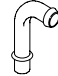
□ Carburetor Overhaul Kit – Reference 121A
 △ Valve Gasket Set – Reference 1095

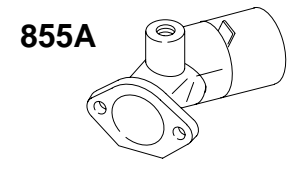
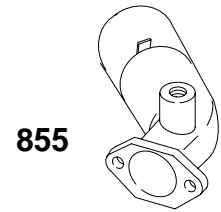
430400 to 430499

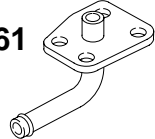

54  1174 

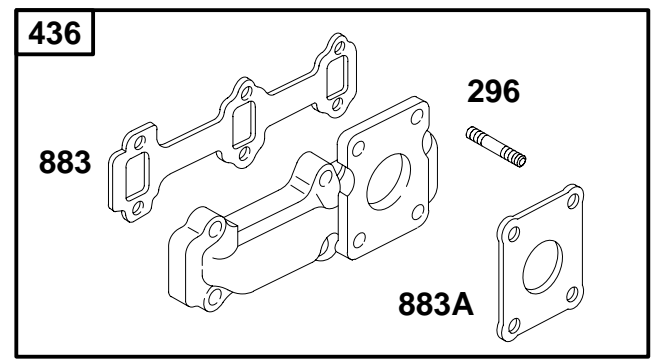


654 
53 

1011 



1061 
1175 

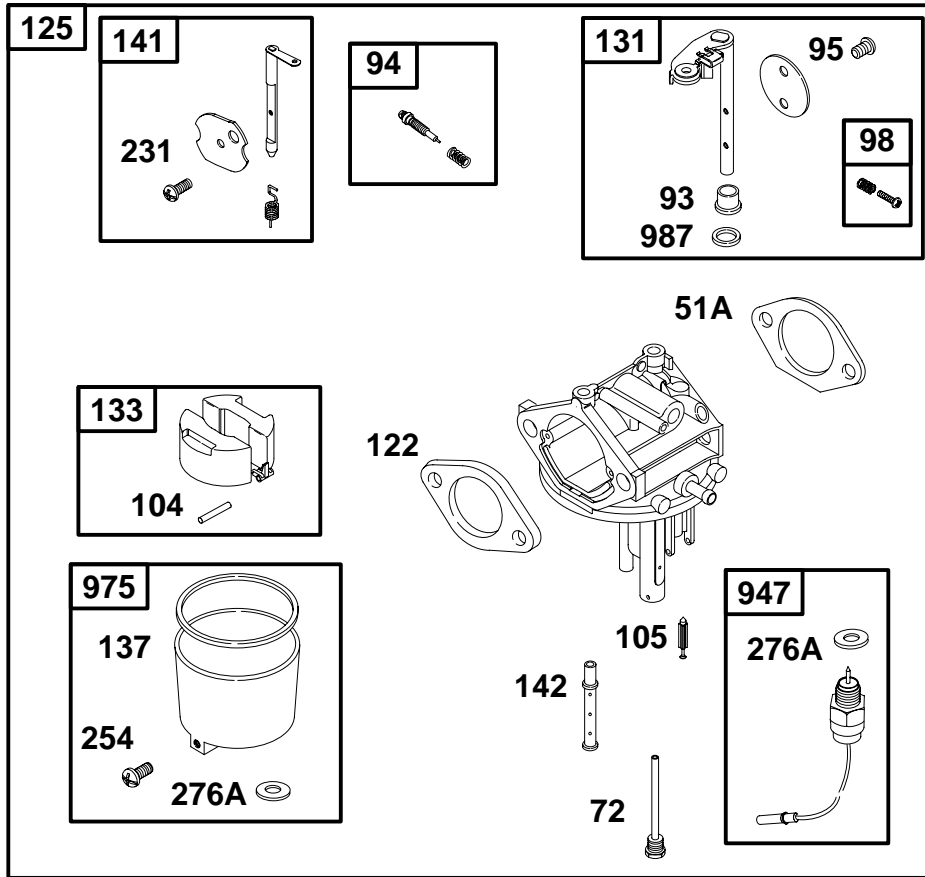


REF. NO.	PART NO.	DESCRIPTION	REF. NO.	PART NO.	DESCRIPTION	REF. NO.	PART NO.	DESCRIPTION
50	825261	Manifold-Intake	654	820011	Nut (Carburetor)	1011	820184	Tube-Vent
51	★△820087	Gasket-Intake	855	820921	Adaptor-Air Cleaner	1061	820090	Cover-Outlet
53	820861	Stud (Carburetor)	855A	820161	Adaptor-Air Cleaner	1112	820543	Plug-Vent
54	820031	Screw (Intake Manifold)	883	△★820817	Gasket-Exhaust (Cylinder Head to Exhaust Manifold)	1174	820069	Nut (Intake Manifold)
296	820553	Stud (Muffler)	883A	★821001	Gasket-Exhaust (Exhaust Manifold to Muffler)	1175	820034	Screw (Outlet Cover)
436	825055	Manifold-Exhaust				1176	820010	Nut (Exhaust Manifold)

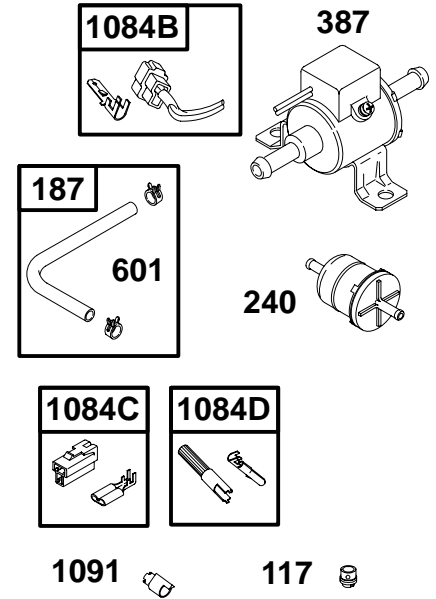
★ Engine Gasket Set – Reference 359
◆ Carburetor Overhaul Kit – Reference 121

□ Carburetor Overhaul Kit – Reference 121A
△ Valve Gasket Set – Reference 1095

430400 to 430499



AISAN MANUAL CHOKE

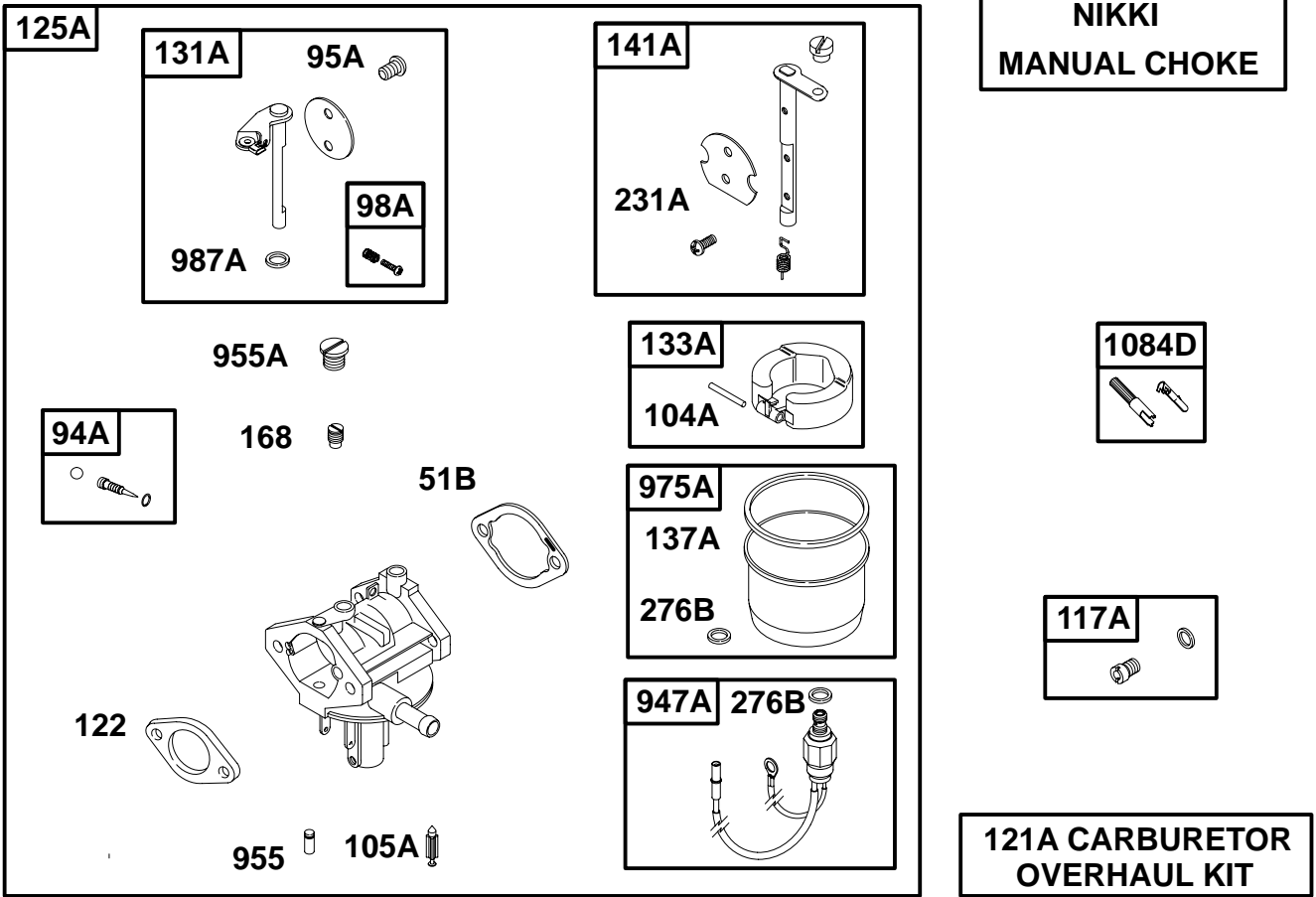


121 CARBURETOR OVERHAUL KIT

REF. NO.	PART NO.	DESCRIPTION	REF. NO.	PART NO.	DESCRIPTION	REF. NO.	PART NO.	DESCRIPTION
51A	◆★820160	Gasket-Intake	122	◆820082	Spacer-Carburetor	387	825232	Pump-Fuel
72	◆820537	Tube-Jet	125	825094	Carburetor	601	820006	Clamp-Hose
93	◆	Bushing-Throttle Shaft (Sold In Kit Only)	131	825244	Kit-Throttle Shaft	947	825377	Solenoid-Fuel
94	◆825241	Kit-Idle Mixture	133	825240	Float-Carburetor	975	825239	Bowl-Float
95	◆820485	Screw (Throttle Valve)	137	◆820489	Gasket-Float Bowl	987	◆690734	Seal-Throttle Shaft
98	◆825242	Kit-Idle Speed	141	825246	Kit-Choke Shaft	1084B	825156	Connector-Terminal (Fuel Pump)
104	◆690739	Pin-Float Hinge	142	◆820490	Nozzle-Carburetor	1084C	825157	Connector-Terminal (Fuel Pump)
105	◆820486	Valve-Float Needle	187	825044	Line-Fuel	1084D	825158	Connector-Terminal (Solenoid)
117	820458	Jet-Main (Standard)	231	◆820485	Screw (Choke Valve)	1091	◆691515	Cap-Limiter
121	825238	Kit-Carburetor Overhaul	240	821026	Filter-Fuel			
			254	820491	Drain-Carburetor Bowl (Fuel Solenoid)			
			276A	◆692343	Washer-Sealing (Fuel Solenoid)			

★ Engine Gasket Set - Reference 359
◆ Carburetor Overhaul Kit - Reference 121

□ Carburetor Overhaul Kit - Reference 121A
△ Valve Gasket Set - Reference 1095

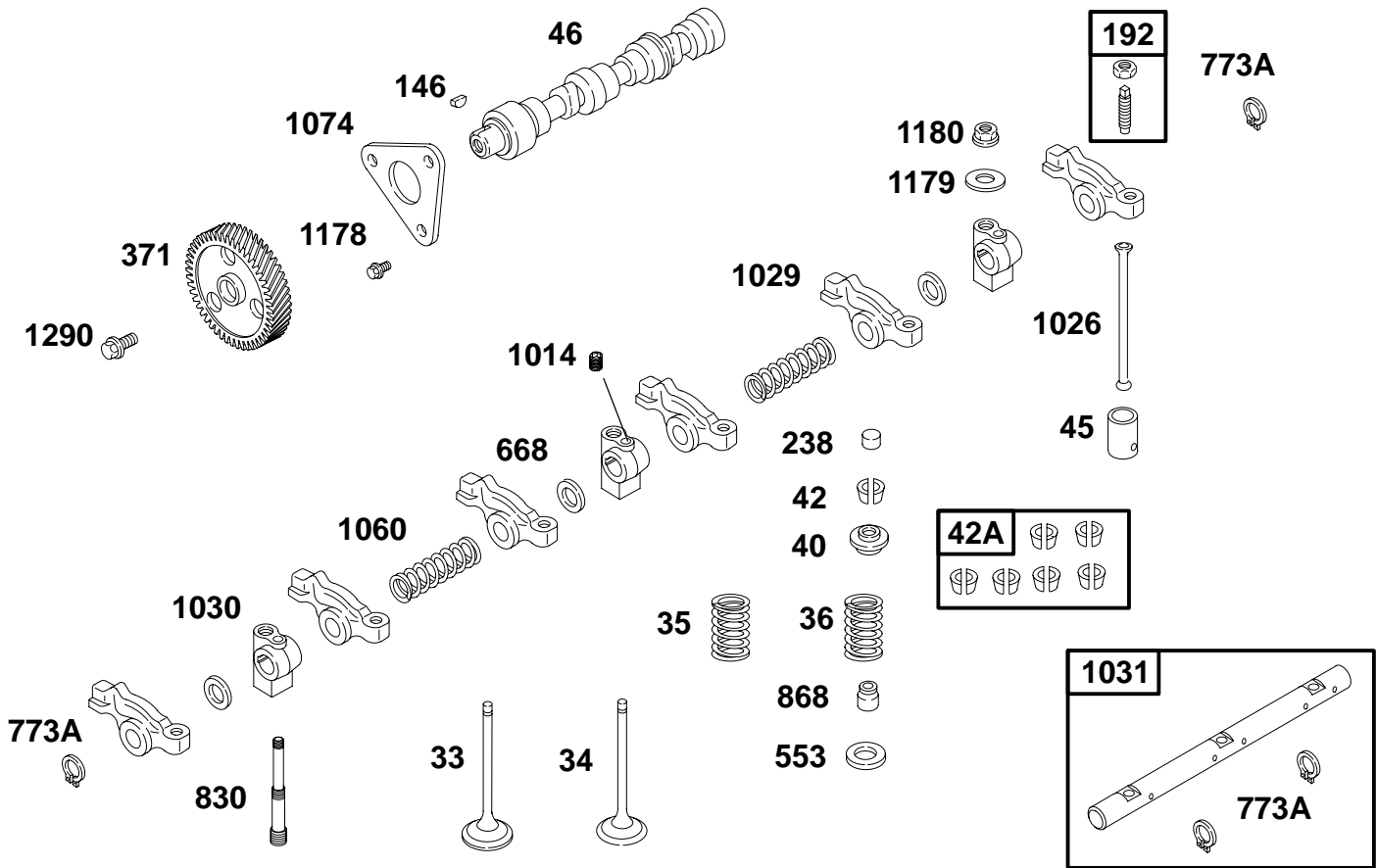


REF. NO.	PART NO.	DESCRIPTION	REF. NO.	PART NO.	DESCRIPTION	REF. NO.	PART NO.	DESCRIPTION
51B	□★820385	Gasket-Intake	121A	825438	Kit-Carburetor Overhaul	231A	□820504	Screw (Choke Valve)
94A	□825374	Kit-Idle Mixture	122	□820082	Spacer-Carburetor	276B	□820511	Washer-Sealing (Fuel Solenoid)
95A	□820504	Screw (Throttle Valve)	125A	825611	Carburetor	947A	825561	Solenoid-Fuel
98A	825560	Kit-Idle Speed	131A	825612	Kit-Throttle Shaft	955	□820510	Plug-Carburetor
104A	□693506	Pin-Float Hinge	133A	825248	Float-Carburetor	955A	□820520	Plug-Carburetor
105A	□820506	Valve-Float Needle	137A	□820508	Gasket-Float Bowl	975A	825247	Bowl-Float
117A	821079	Jet-Main (Standard)	141A	825375	Kit-Choke Shaft	987A	□	Seal-Throttle Shaft (Sold In Kit Only)
			168	□820603	Jet-Idle Circuit	1084D	825158	Connector-Terminal (Solenoid)

★ Engine Gasket Set - Reference 359
 ◆ Carburetor Overhaul Kit - Reference 121

□ Carburetor Overhaul Kit - Reference 121A
 △ Valve Gasket Set - Reference 1095

430400 to 430499

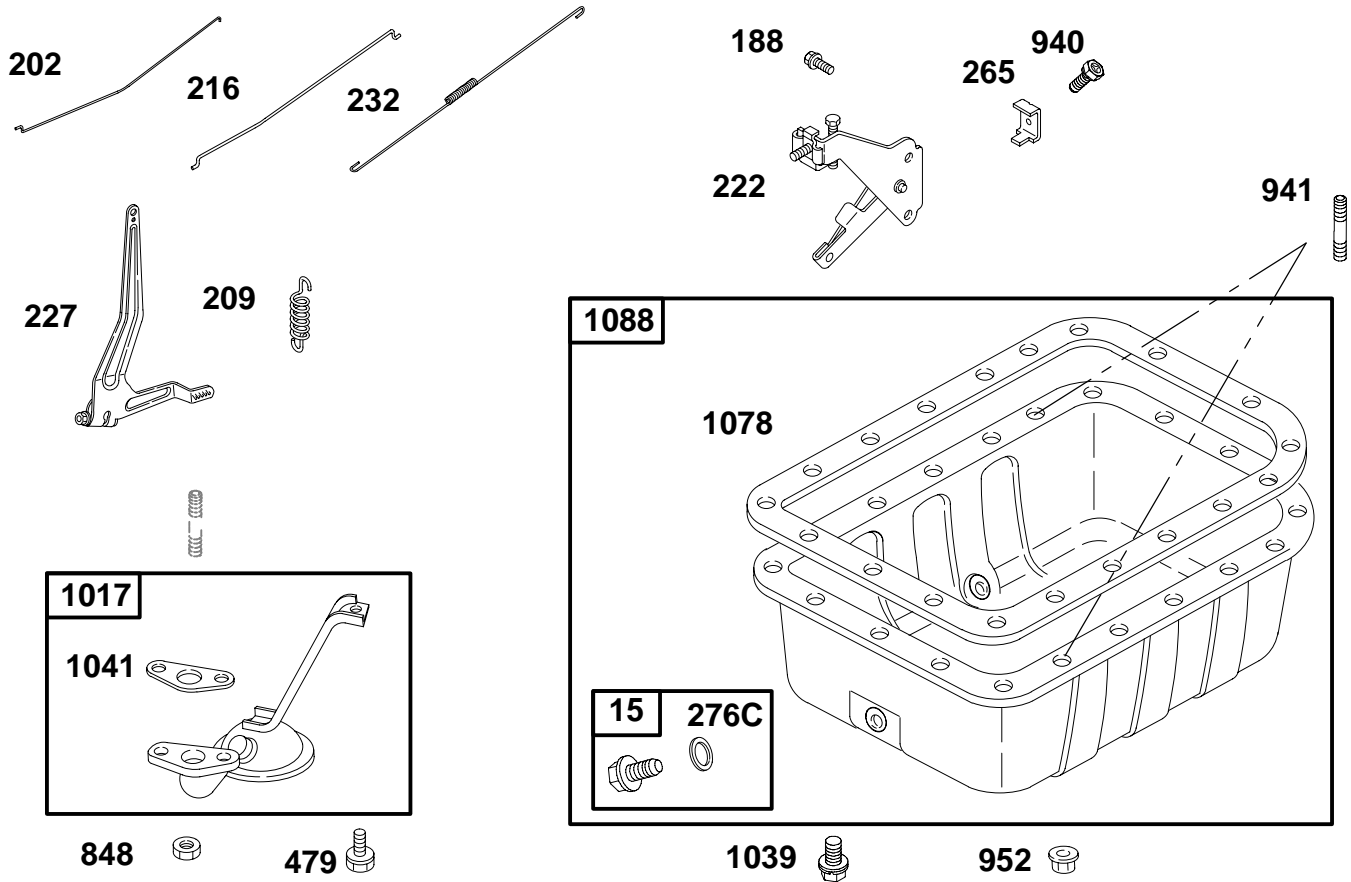


REF. NO.	PART NO.	DESCRIPTION	REF. NO.	PART NO.	DESCRIPTION	REF. NO.	PART NO.	DESCRIPTION
33	820114	Valve-Exhaust	146	691639	Key-Timing	1014	820105	Screw (Rocker Arm Support)
34	820115	Valve-Intake	192	825041	Adjuster-Rocker Arm	1026	820109	Rod-Push
35	820043	Spring-Valve (Intake)	238	820113	Cap-Valve	1029	820107	Arm-Rocker
36	820043	Spring-Valve (Exhaust)	371	820613	Gear-Cam (Used After Code Date 98123100).	1030	820106	Support-Rocker Arm
40	820111	Retainer-Valve	———— Note ————			1031	825093	Shaft-Rocker Arm
42	825042	Keeper-Valve (Contains 1 Set)			820119	820044	Spring-Rocker Shaft	
42A	825082	Keeper-Valve (Contains 6 Sets)			(Used Before Code Date 99010100).	1074	820118	Retainer-Camshaft
45	820110	Tappet-Valve	553	820112	Retainer-Valve Spring	1178	820032	Screw (Camshaft Retainer)
46	820388	Camshaft (Used After Code Date 95123100).	668	820065	Spacer (Rocker Arm Shaft)	1179	820177	Washer (Rocker Arm Support)
			773A	820003	Retainer	1180	820070	Nut (Rocker Arm Support)
			830	820076	Stud-Rocker Arm	1290	820075	Screw (Cam Gear)
			868	★820041	Seal-Valve			

★ Engine Gasket Set – Reference 359
 ◆ Carburetor Overhaul Kit – Reference 121

□ Carburetor Overhaul Kit – Reference 121A
 △ Valve Gasket Set – Reference 1095

430400 to 430499

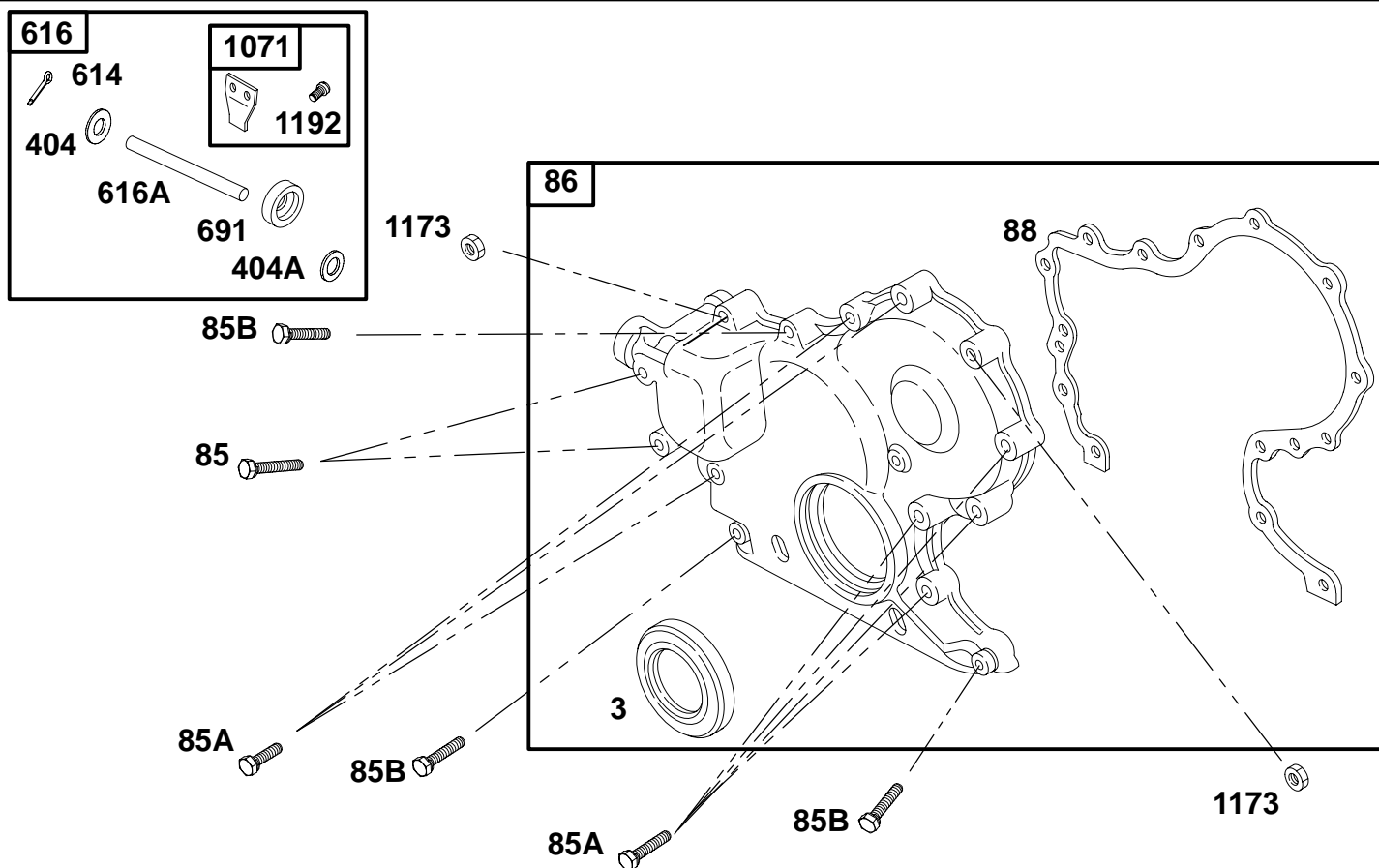


REF. NO.	PART NO.	DESCRIPTION	REF. NO.	PART NO.	DESCRIPTION	REF. NO.	PART NO.	DESCRIPTION	
15	825278	Plug—Oil Drain (16 mm)	232	820172	Spring—Governor Link	940	820012	Screw (Casing Clamp)	
		Note	265	691024	Clamp—Casing	941	820017	Stud (Oil Pan)	
		825043 Plug—Oil Drain (12 mm)	276C	★820582	Washer—Sealing (Oil Drain Plug) (16 mm)	952	820068	Nut (Oil Pan)	
188	820174	Screw (Control Bracket)			Note	1017	825089	Screen—Oil Pump	
202	820171	Link—Mechanical Governor			★820049	Washer—Sealing (Oil Drain Plug) (12 mm)	1039	820034	Screw (Oil Pan)
209	821054	Spring—Governor (Yellow)	479	820034	Screw (Oil Pump Screen)	1041	★820104	Gasket—Oil Strainer	
216	820173	Link—Choke	848	820069	Nut (Oil Pump Screen)	1078	★820137	Gasket—Oil Pan	
222	825062	Bracket—Control				1088	825285	Pan—Oil (Dual Drain) (16 mm)	
227	825061	Lever—Governor Control							

★ Engine Gasket Set – Reference 359
 ◆ Carburetor Overhaul Kit – Reference 121

□ Carburetor Overhaul Kit – Reference 121A
 △ Valve Gasket Set – Reference 1095

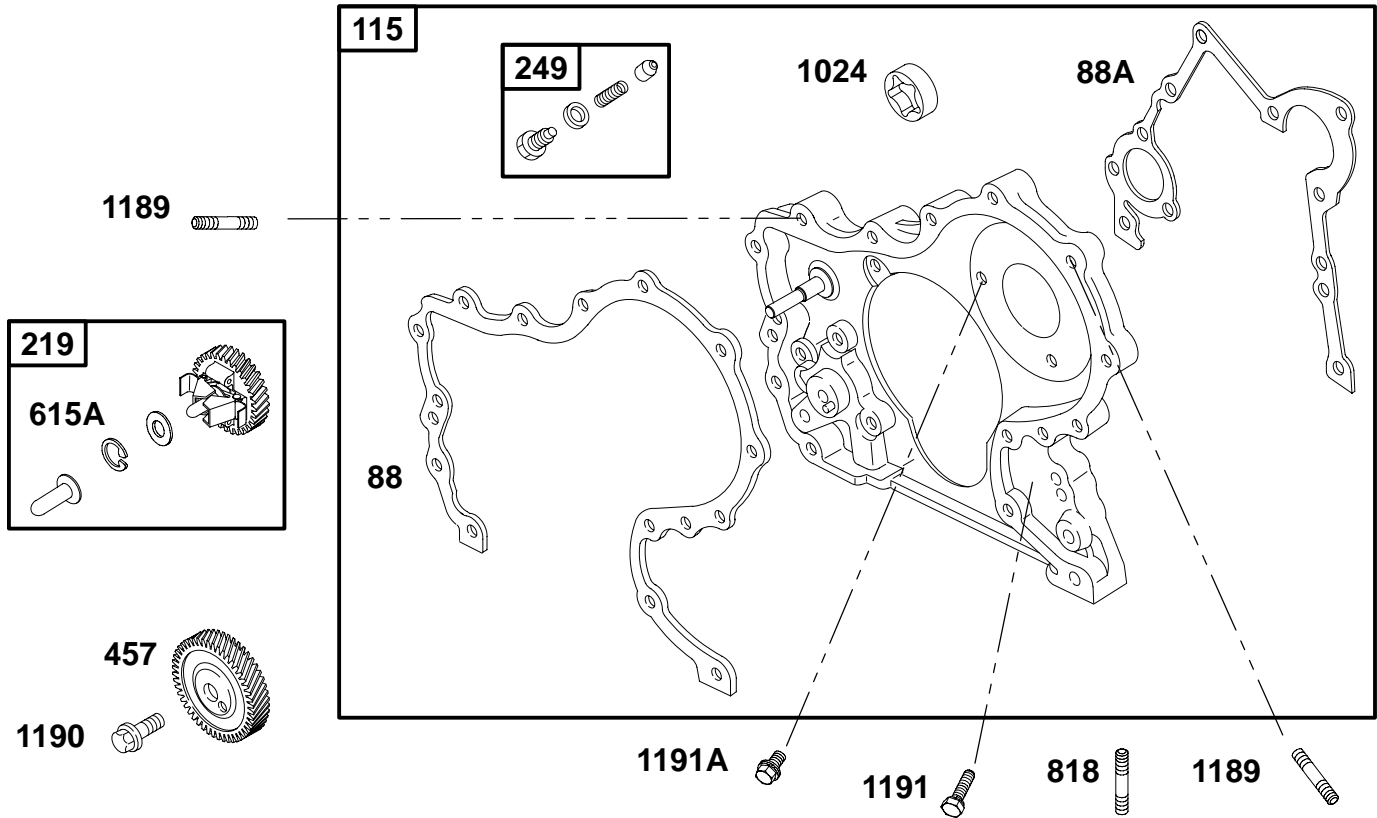
430400 to 430499



REF. NO.	PART NO.	DESCRIPTION	REF. NO.	PART NO.	DESCRIPTION	REF. NO.	PART NO.	DESCRIPTION
3	★820055	Seal—Oil (Magneto Side)	86	825046	Cover—Gear	1071	825086	Governor Paddle
85	820026	Screw (Gear Cover to Gear Reduction Case)	88	★820148	Gasket—Gear Reduction Cover	1173	820069	Nut (Gear Cover)
85A	820029	Screw (Gear Cover to Gear Reduction Case)	404	820167	Washer (Governor Crank)	1192	820166	Screw (Governor Paddle)
85B	820027	Screw (Gear Cover to Gear Reduction Case)	404A	820169	Washer (Governor Crank)			
			614	820168	Pin—Cotter			
			616	825087	Crank—Governor			
			616A	820165	Crank—Governor			
			691	★820054	Seal—Governor Shaft			

★ Engine Gasket Set – Reference 359
 ◆ Carburetor Overhaul Kit – Reference 121

□ Carburetor Overhaul Kit – Reference 121A
 △ Valve Gasket Set – Reference 1095

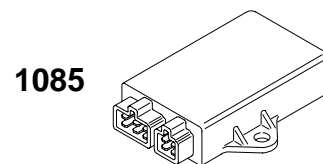
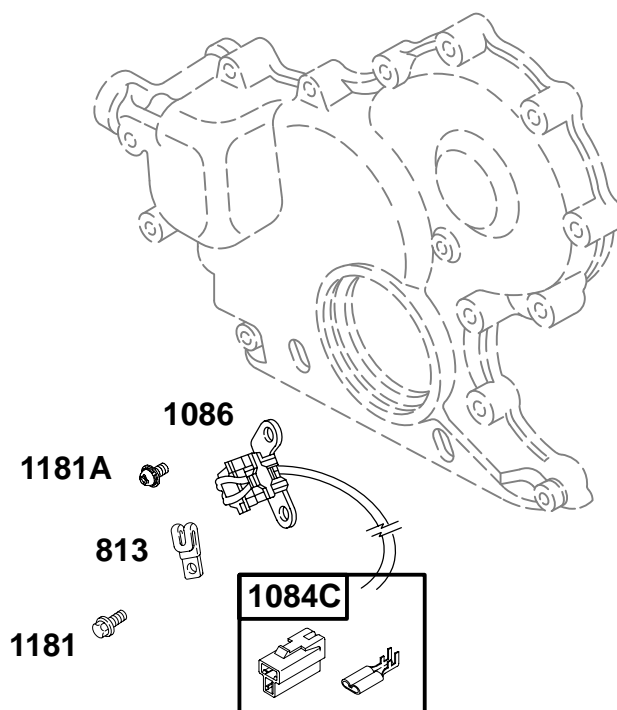
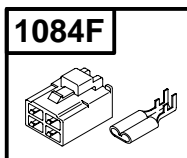
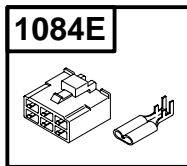
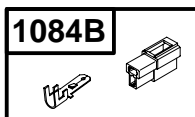


REF. NO.	PART NO.	DESCRIPTION	REF. NO.	PART NO.	DESCRIPTION	REF. NO.	PART NO.	DESCRIPTION
88	★820148	Gasket–Gear Reduction Cover	249	825032	Valve–Pressure Relief	1189	820156	Stud (Gear Housing)
88A	★820155	Gasket–Gear Reduction Cover	457	820615	Gear–Drive (Used After Code Date 98123100).	1190	820180	Screw (Drive Gear)
115	825059	Housing–Gear	———— Note ————			1191	820030	Screw (Gear Housing)
219	825331	Gear–Governor (Right Helix) (Used After Code Date 98123100).	820121	820121	Gear–Drive (Used Before Code Date 99010100).	1191A	820033	Screw (Gear Housing)
		———— Note ————	615A	820163	Retainer–Governor Shaft			
		825085 Gear–Governor (Left Helix) (Used Before Code Date 99010100).	818	820016	Stud (Oil Pump Screen)			
			1024		Pump–Oil (Sold in Gear Housing Only, Reference 115)			

★ Engine Gasket Set – Reference 359
 ◆ Carburetor Overhaul Kit – Reference 121

□ Carburetor Overhaul Kit – Reference 121A
 △ Valve Gasket Set – Reference 1095

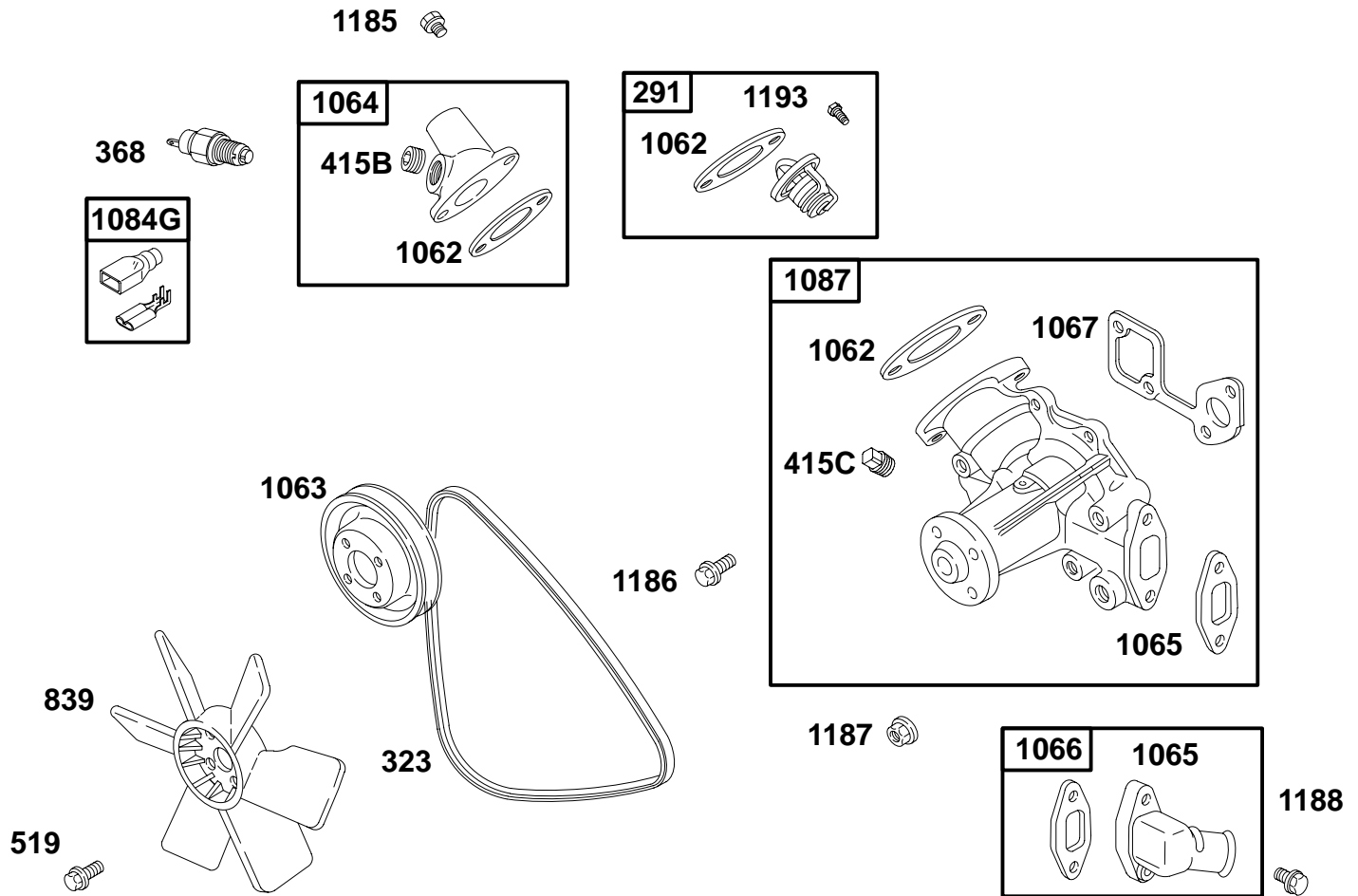
430400 to 430499



REF. NO.	PART NO.	DESCRIPTION	REF. NO.	PART NO.	DESCRIPTION	REF. NO.	PART NO.	DESCRIPTION
813	820047	Clamp	1084B	825156	Connector-Terminal (Trigger)	1085	821082	Module-Ignition (Used After Code Date 01073100).
			1084C	825157	Connector-Terminal (Alternator/Ignition Trigger)			Note
			1084E	825162	Connector-Terminal (Ignition Module)			825236 Module-Ignition (Used Before Code Date 01080100).
			1084F	825163	Connector-Terminal (Ignition Module)	1086	825009	Trigger-Ignition
						1181	820029	Screw (Ignition Trigger)
						1181A	820013	Screw (Ignition Trigger)

★ Engine Gasket Set – Reference 359
 ◆ Carburetor Overhaul Kit – Reference 121

□ Carburetor Overhaul Kit – Reference 121A
 △ Valve Gasket Set – Reference 1095

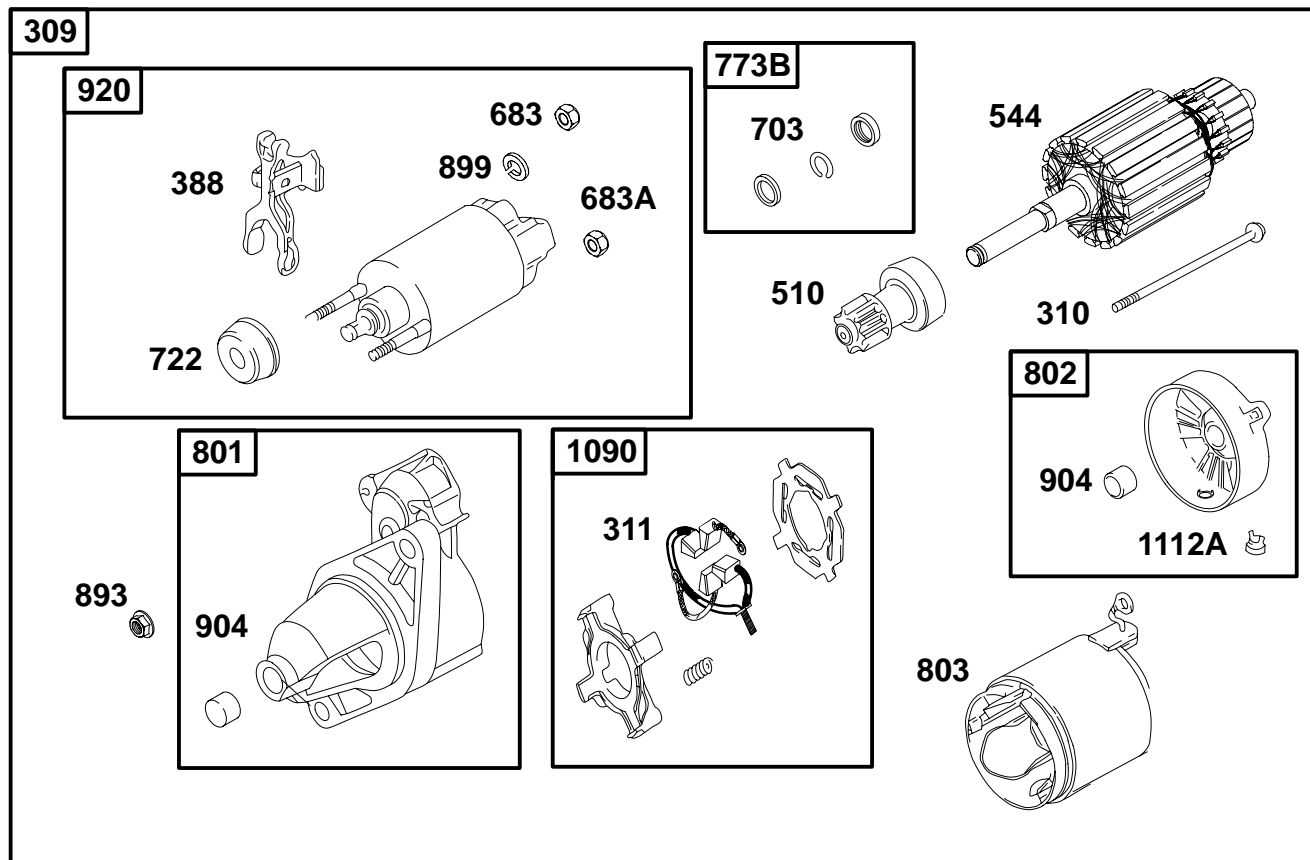


REF. NO.	PART NO.	DESCRIPTION	REF. NO.	PART NO.	DESCRIPTION	REF. NO.	PART NO.	DESCRIPTION
291	825064	Thermostat	839	825096	Fan-Radiator	1185	820031	Screw (Outlet Housing)
323	820239	Belt-Vee	1062	★820093	Gasket-Outlet Housing	1186	820022	Screw (Water Pump)
368	820208	Switch-Water Temperature	1063	820095	Pulley-Pump	1187	820181	Nut (Water Pump)
415B	820052	Plug (Outlet Housing)	1064	825074	Housing-Outlet	1188	820031	Screw (Inlet Housing)
415C	820182	Plug (Water Pump)	1065	★820098	Gasket-Inlet Housing	1193	820185	Screw (Thermostat)
519	820034	Screw (Radiator Fan)	1066	825051	Housing-Inlet			
			1067	★820100	Gasket-Water Pump			
			1084G	825160	Connector-Terminal (Water Temperature Switch)			
			1087	825275	Pump-Water			

★ Engine Gasket Set – Reference 359
 ◆ Carburetor Overhaul Kit – Reference 121

□ Carburetor Overhaul Kit – Reference 121A
 △ Valve Gasket Set – Reference 1095

0.8 KW

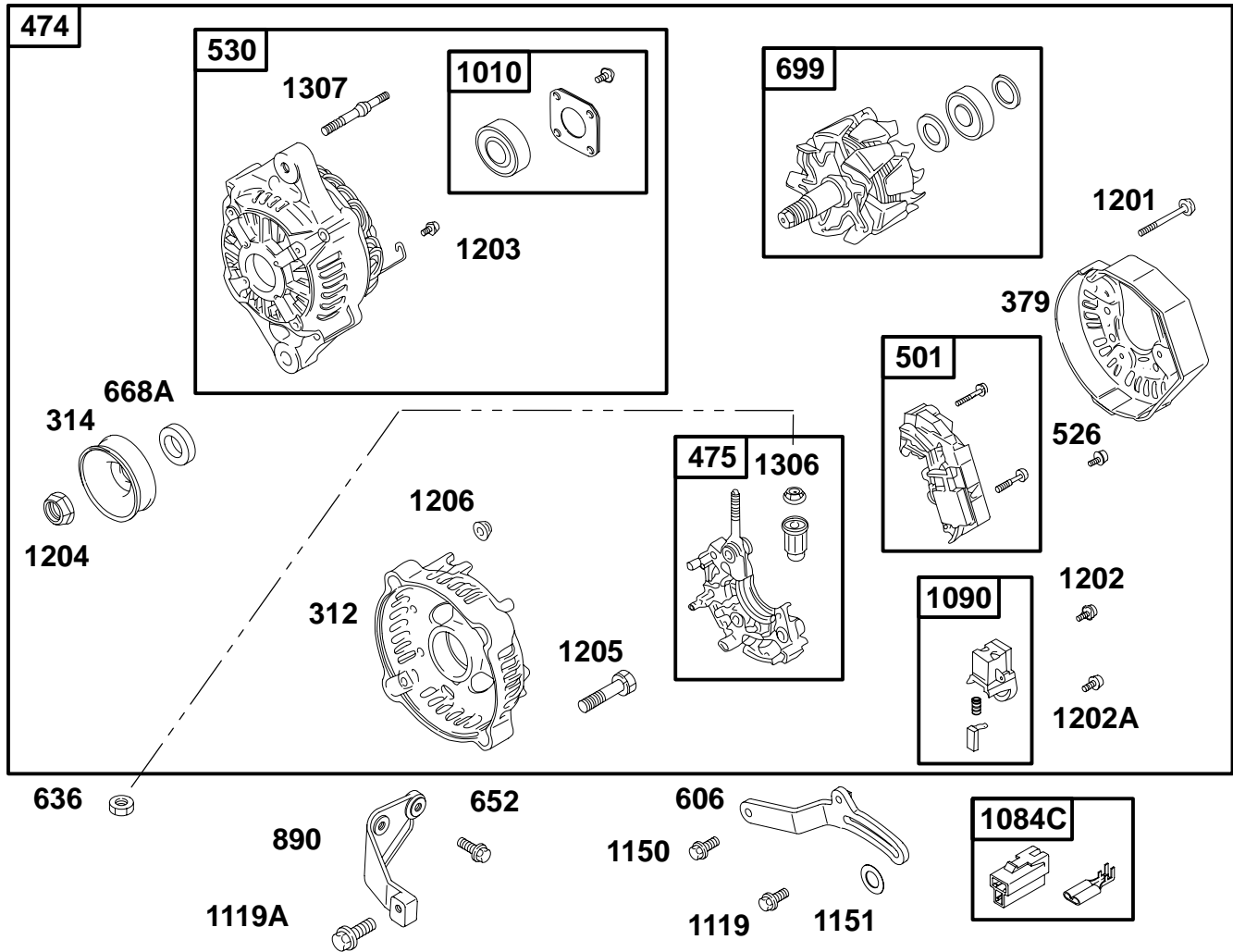


REF. NO.	PART NO.	DESCRIPTION	REF. NO.	PART NO.	DESCRIPTION	REF. NO.	PART NO.	DESCRIPTION
309	825095	Motor-Starter (0.8 KW)	703	820803	Clip	899	820811	Washer (Starter Solenoid) (Terminal)
310	820807	Screw (Starter Motor)	722	820801	Seal-Plunger	904	820793	Bearing-Needle
311	825411	Brush Set	773B	825420	Retainer	920	825418	Solenoid-Starter
388	820799	Lever-Pinion Drive	801	820791	Cap-Drive	1090	825412	Retainer-Brush
510	820789	Drive-Starter	802	825416	Cap-End	1112A	820797	Plug-Vent
544	825414	Armature-Starter	803	820783	Housing-Starter			
683	820813	Nut (Starter Solenoid) (Terminal)	893	820805	Nut (Starter Solenoid) (Terminal)			
683A	820809	Nut (Starter Solenoid) (Terminal)	893A	820067	Nut (Starter Solenoid) (Terminal)			
697	820451	Screw (Drive Cap)						

★ Engine Gasket Set – Reference 359
 ◆ Carburetor Overhaul Kit – Reference 121

□ Carburetor Overhaul Kit – Reference 121A
 △ Valve Gasket Set – Reference 1095

40 AMP

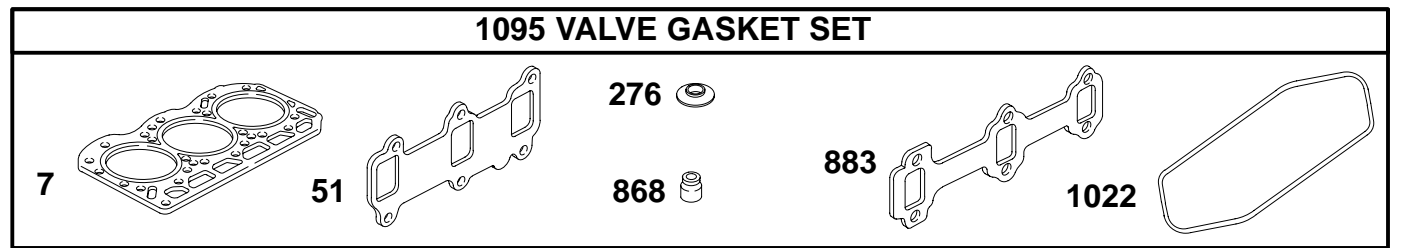
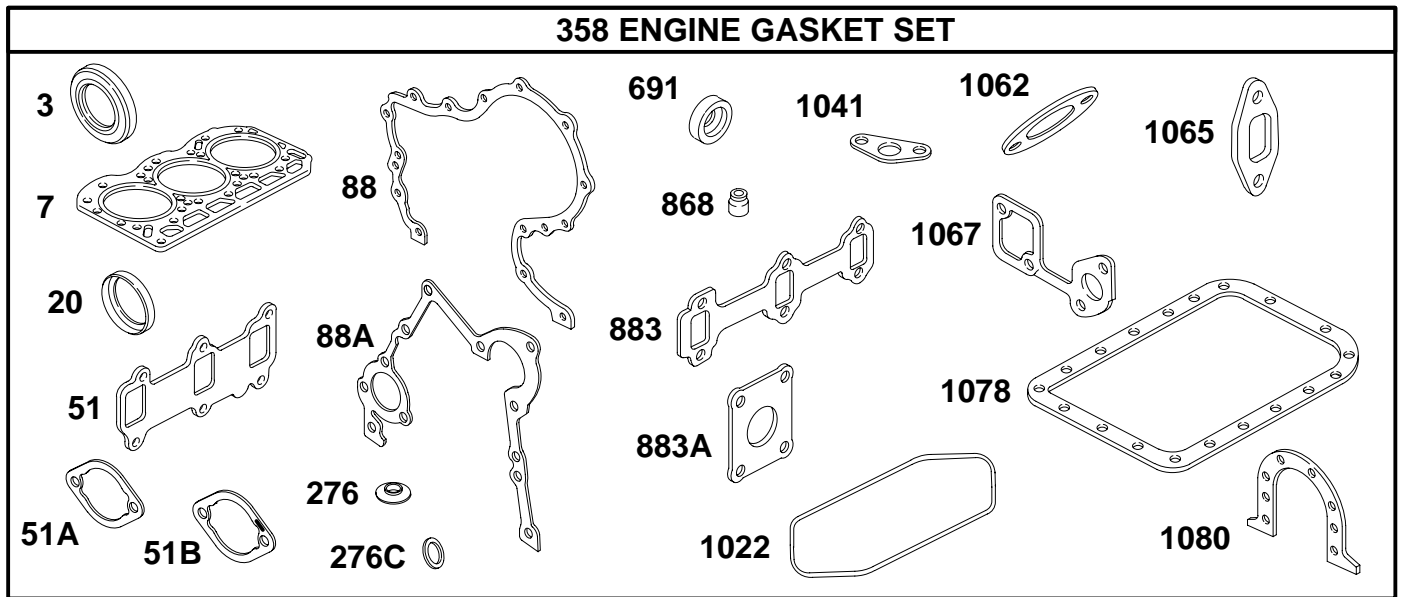


REF. NO.	PART NO.	DESCRIPTION	REF. NO.	PART NO.	DESCRIPTION	REF. NO.	PART NO.	DESCRIPTION
312	820692	Housing—Brush End	890	820213	Bracket—Support	1201	820715	Screw (Brush Cover)
314	820711	Pulley—Alternator	1010	825384	Retainer—Bearing	1202	820701	Screw (Brush Retainer)
379	820703	Cover—Brush	1084B	825157	Connector—Terminal	1202A	820702	Screw (Brush Retainer)
474	825084	Alternator (40 Amp)	1090	825387	Retainer—Brush	1202A	820702	Screw (Brush Retainer)
475	825385	Rectifier	1119	820483	Screw (Alternator)	1203	820702	Screw (Ground Terminal)
501	825388	Regulator	1119A	820270	Screw (Alternator)	1204	820705	Nut (Alternator Pulley)
526	820702	Screw (Regulator)	1150	820023	Screw (Adjusting Strap)	1205	820707	Screw (Brush End Housing)
530	825383	Housing—Drive End	1151	820066	Washer (Adjusting Strap)	1206	820707	Nut (Brush End Housing)
606	820819	Strap—Adjusting				1306	820781	Nut (Rectifier)
636	820069	Nut (Starting Switch)				1307	820690	Stud (Drive End Housing)
652	820275	Screw (Support Bracket)						
668A	820713	Spacer (Alternator)						
699	825390	Rotor Assembly						

★ Engine Gasket Set – Reference 359
 ◆ Carburetor Overhaul Kit – Reference 121

□ Carburetor Overhaul Kit – Reference 121A
 △ Valve Gasket Set – Reference 1095

430400 to 430499



REF. NO.	PART NO.	DESCRIPTION	REF. NO.	PART NO.	DESCRIPTION	REF. NO.	PART NO.	DESCRIPTION		
3	★820055	Seal—Oil (Magnetor Side)	276	★820064	Washer—Sealing (Rocker Cover)	691	★820054	Seal—Governor Shaft		
7	★△7820650	Gasket—Cylinder Head	276C	★820582	Washer—Sealing (Oil Drain Plug) (16 mm)	868	★820041	Seal—Valve		
20	★820056	Seal—Oil (PTO Side)			Note	883	★820817	Gasket—Exhaust (Cylinder Head to Exhaust Manifold)		
51	△★820087	Gasket—Intake			★820049	Washer— Sealing (Oil Drain Plug) (12 mm)	883A	★821001	Gasket—Exhaust (Exhaust Manifold to Muffler)	
51A	★◆820160	Gasket—Intake					1022	★820150	Gasket—Rocker Cover	
51B	□★820385	Gasket—Intake					1041	★820104	Gasket—Oil Pump Screen	
88	★820148	Gasket—Gear Reduction Cover					1062	★820093	Gasket—Outlet Housing	
88A	★820155	Gasket—Gear Reduction Cover	358	825378	Gasket Set—Engine (Used After Code Date 98123100).			1065	★820098	Gasket—Inlet Housing
					Note			1067	★820100	Gasket—Water Pump
					825056	Gasket Set—Engine (Used Before Code Date 99010100).		1078	★820137	Gasket—Oil Pan
								1080	★820145	Gasket—Seal Retainer
								1095	825379	Gasket Set—Valve (Used After Code Date 98123100).
									Note	
									825057	Gasket Set— Valve (Used Before Code Date 99010100).

★ Engine Gasket Set – Reference 359
◆ Carburetor Overhaul Kit – Reference 121

□ Carburetor Overhaul Kit – Reference 121A
△ Valve Gasket Set – Reference 1095

1019



1040



1036

IMPORTANT ENGINE INFORMATION DAIHATSU MOTOR CO., LTD.

ENGINE DISPLACEMENT: XXX cc ENGINE FAMILY NAME: XXXXX,XXXXX

THE AIR INDEX OF THIS ENGINE IS ⊗

① 2 4 6 8 10

NOTE: THE LOWER THE AIR INDEX, THE LESS POLLUTION.
THIS ENGINE IS CERTIFIED TO BE EMISSION COMPLIANT FOR THE FOLLOWING USE:
MODERATE INTERMEDIATE X EXTENDED

THIS ENGINE CONFORMS TO XXXX AND LATER U.S. EPA AND XXXX AND LATER CALIFORNIA EMISSION REGULATIONS FOR SMALL OFF-ROAD ENGINES. REFER TO OWNER'S MANUAL FOR MAINTENANCE SPECIFICATIONS AND ADJUSTMENTS. EPA EMISSIONS COMPLIANCE PERIOD: XXXX HOURS

XXXX

IMPORTANT ENGINE INFORMATION DAIHATSU MOTOR CO., LTD.

ENGINE DISPLACEMENT: XXX cc ENGINE FAMILY NAME: XXXXX,XXXXX

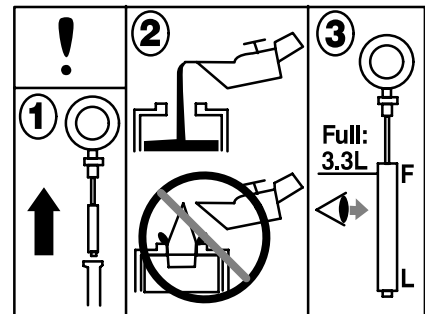
THIS ENGINE CONFORMS TO XXXX AND LATER CALIFORNIA EMISSION REGULATIONS FOR OFF-ROAD LARGE SPARK-IGNITION ENGINES. REFER TO OWNER'S MANUAL FOR MAINTENANCE SPECIFICATIONS AND ADJUSTMENTS.

XXXX

1058 OPERATOR'S MANUAL

1330 REPAIR MANUAL

1319



REF. NO.	PART NO.	DESCRIPTION	REF. NO.	PART NO.	DESCRIPTION	REF. NO.	PART NO.	DESCRIPTION
1019	820289	Kit-Label (Identification Labels)	1036	825620	Label-Emissions (Used After Code Date 01073100). Note 825623 Label-Emissions (Used Before Code Date 01080100 and After Code Date 99123100). 825281 Label Emissions (Used Before Code Date 00010100 and After Code Date 97063000). 825220 Label-Emission (Used Before Code Date 97070100).	1040	820290	Plate-Trim
						1058	820883	Operator's Manual
						1319	820891	Label-Warning
						1330	MS0750	Repair Manual

★ Engine Gasket Set – Reference 359
◆ Carburetor Overhaul Kit – Reference 121

□ Carburetor Overhaul Kit – Reference 121A
△ Valve Gasket Set – Reference 1095