

580400 to 580499

Illustrated Parts List

Model Series

580400 to 580499

GAS

TYPE NUMBERS
0105, 0110, 0112,
0113, 0115, 0116,
0205, 0210, 0215,
0216, 0218, 0220,
0221, 0225.

TO FIND

THE CORRECT NUMBER OF THE PART YOU NEED:

FOLLOW THE INSTRUCTIONS BELOW

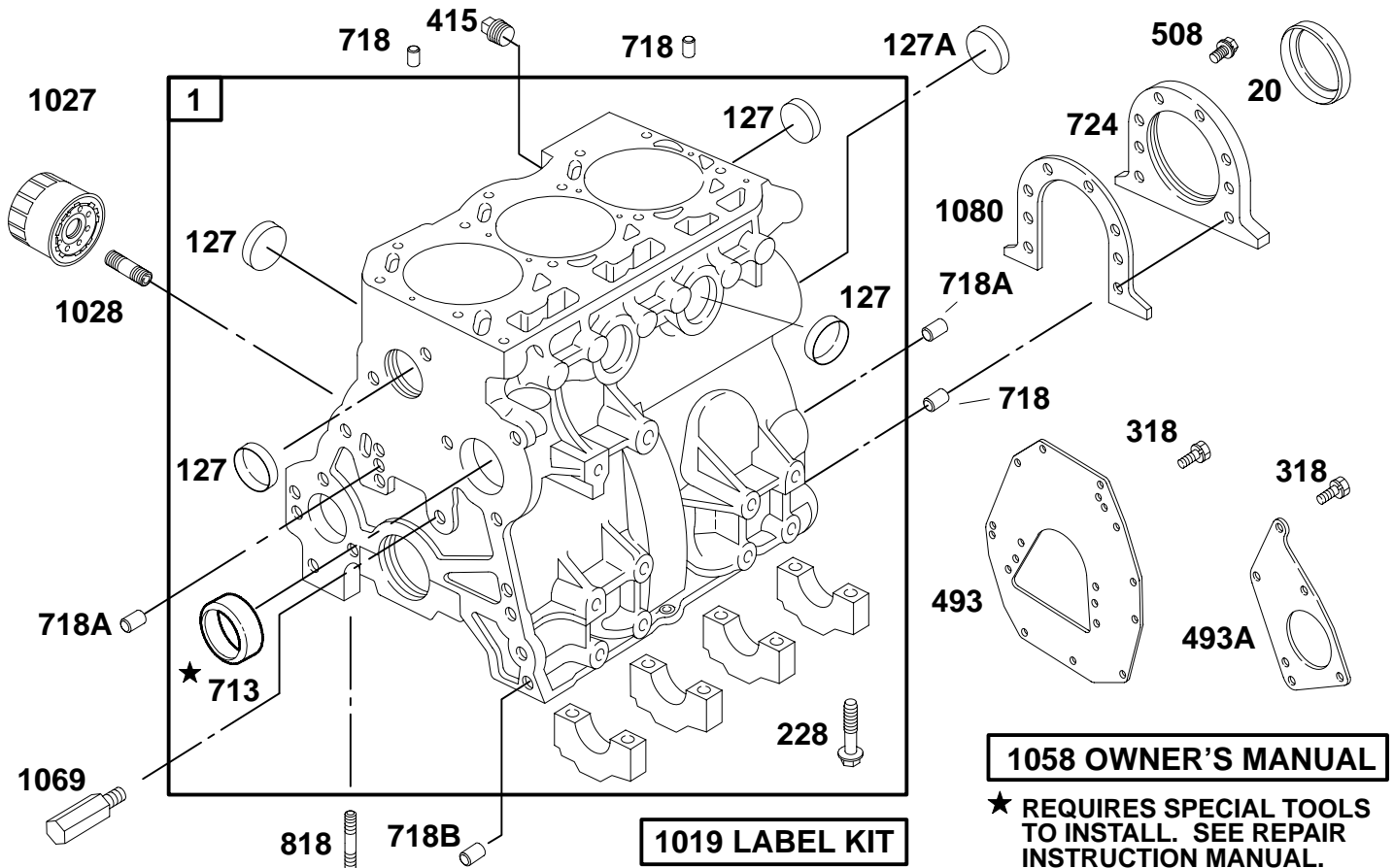
- A. Refer to Model, Type and Code Number that is located on the engine. Engine type numbers such as 0123 01 are listed only as 0123 in most instances. The two digits (01 or 02, etc.) to the right of the space may be required for more accurate parts identification in some instances. Select the Illustrated Parts List covering the correct Model Series and Type Number.
- B. Refer to the Illustrations and compare the original part with Illustration. The number next to the illustration is the Reference Number. Assemblies include all parts shown in frames. All parts shown in assembly frames having individual reference numbers can be purchased separately.
- C. After the Reference Number has been identified, refer to the Numerical text, where Reference and Primary Part Number are listed. **THE PRIMARY PART IS USED ON ALL TYPE NUMBERS EXCEPT THOSE TYPE NUMBERS UNDER "NOTE."**
- D. If a "Note" appears below the Primary Part Number, it means that this part differs from the Primary Part for certain types. If your Type number is listed under "Note," order the part referred to at the "Note."
- E. If your Engine Type Number does not appear after any part number listed under "Note," use the Primary Part Number.
- F. For Engine Type Numbers not covered by this book, check other Parts Lists having the same engine model or contact your source of supply.

PRINTED IN U.S.A.



COPYRIGHT by BRIGGS & STRATTON DAIHATSU LLC
All rights reserved. No part of this material may be reproduced or transmitted, in any form or by any means, electronic or mechanical, including photocopying, recording or by any information storage and retrieval system, without permission in writing from Briggs & Stratton DAIHATSU LLC.

580400 to 580499



REF. NO.	PART NO.	DESCRIPTION	REF. NO.	PART NO.	DESCRIPTION	REF. NO.	PART NO.	DESCRIPTION	
1	▽825335	Cylinder Assembly Used on Type No(s). 0113, 0205, 0210, 0215, 0216, 0218, 0220, 0221, 0225. ——— Note ——— 825335 Cylinder Assembly (Used After Code Date 98123100 and Before Code Date 99070100). Used on Type No(s). 0105, 0110, 0112, 0115, 0116. 825026 Cylinder Assembly (Used Before Code Date 99010100). Used on Type No(s). 0105, 0110, 0112, 0115, 0116.	20	★820056	Seal—Oil (PTO Side)	718	820063	Pin—Locating	
	127	820004	Plug—Welch	718A	820062	Pin—Locating	718B	820061	Pin—Locating
	127A	▽820151	Plug—Welch (Camshaft)	724	▽820146	Retainer—Seal	818	820016	Stud (Oil Pump Screen)
	228	820042	Screw (Bearing Support)	493	▽820170	Bracket—Mounting	1019	825228	Kit—Label (Identification Labels)
	318	820176	Screw (Mounting Bracket)	493A	▽820147	Bracket—Mounting Used on Type No(s). 0112, 0113, 0225.	1027	491056	Filter—Oil
	415	▽820051	Plug	508	820031	Screw (Seal Retainer)			——— Note ——— 820314 Filter—Oil Type No(s) 0220.
	493	▽820170	Bracket—Mounting	713	▽820129	Bushing—Camshaft	1028	820050	Adapter—Oil Filter
	493A	▽820147	Bracket—Mounting Used on Type No(s). 0112, 0113, 0225.				1058	820824	Owner's Manual
	508	820031	Screw (Seal Retainer)				1069	▽820102	Nozzle—Oil
	713	▽820129	Bushing—Camshaft				1080	★820145	Gasket—Seal Retainer

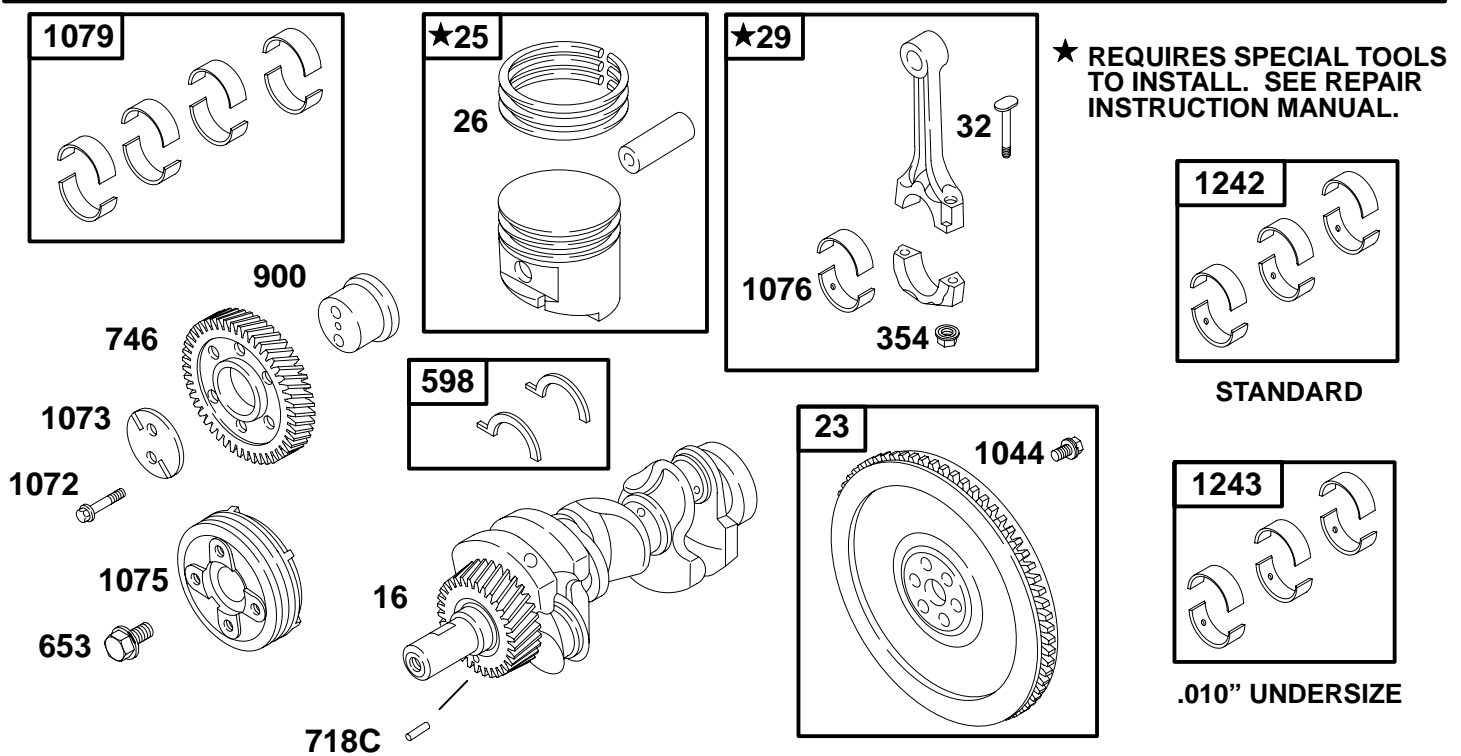
▽ Refer To Repair Manual MS 0750 For Assembly and/or Torque Requirements.

★ Included in Engine Gasket Set—See Ref 358.

◆ Included in Carburetor Overhaul Kit – See Ref 121.

△ Included in Valve Gasket Set—See Ref 1095.

580400 to 580499



REF. NO.	PART NO.	DESCRIPTION	REF. NO.	PART NO.	DESCRIPTION	REF. NO.	PART NO.	DESCRIPTION
16	▽ 825318	Crankshaft (Used After Code Date 99063000). Used on Type No(s). 0113, 0205, 0210, 0215, 0216, 0218, 0220, 0221, 0225. Note 825318 Crankshaft (Used After Code Date 98123100 and Before Code Date 99070100). Used on Type No(s). 0105, 0110, 0112, 0115, 0116. 825193 Crankshaft (Used Before Code Date 99010100).	26	▽ 825036	Ring Set Note 825034 Ring Set (.010" Oversize)			(Used After Code Date 98123100 and Before Code Date 99070100). Used on Type No(s). 0105, 0110, 0112, 0115, 0116. 825013 Gear-Idle (Used Before Code Date 99010100).
23	▽ 825303	Flywheel (Used After Code Date 96121700). Note 825230 Flywheel (Used Before Code Date 96121800).	29	▽ 825033	Rod-Connecting	900	▽ 820116	Shaft-Gear
25	▽ 825203	Piston Assembly (Standard) Note 825204 Piston Assembly (.010" Oversize)	32	▽ 820128	Screw (Connecting Rod)	1044	820080	Screw (Flywheel)
			354	820073	Nut (Connecting Rod)	1072	820081	Screw (Idle Gear Plate)
			598	▽ 820140	Shim-Endplay (Crankshaft) (Standard) Note ▽ 820139 Shim- Endplay (Crankshaft) (.125" Oversize)	1073	820117	Plate-Idle Gear
			653	820079	Screw (Crankshaft Pulley)	1075	820236	Pulley-Crankshaft
			718C	820059	Pin-Locating	1076	▽ 820142	Bearing-Rod (Standard)
			746	▽ 820611	Gear-Idle (Used After Code Date 99063000). Used on Type No(s). 0113, 0205, 0210, 0215, 0216, 0218, 0220, 0221, 0225. Note 820611 Gear-Idle	1079	▽ 825040	Bearing Set-Main (Standard) Note ▽ 825039 Bearing Set-Main (.010" Undersize)
						1242	▽ 825019	Bearing Set-Rod (Standard) (Includes 3 Bearings)
						1243	825060	Bearing Set-Rod (.010" Undersize) (Includes 3 Bearings)

▽ Refer To Repair Manual MS 0750 For Assembly and/or Torque Requirements.

◆ Included in Carburetor Overhaul Kit - See Ref 121.

△ Included in Valve Gasket Set-See Ref 1095.

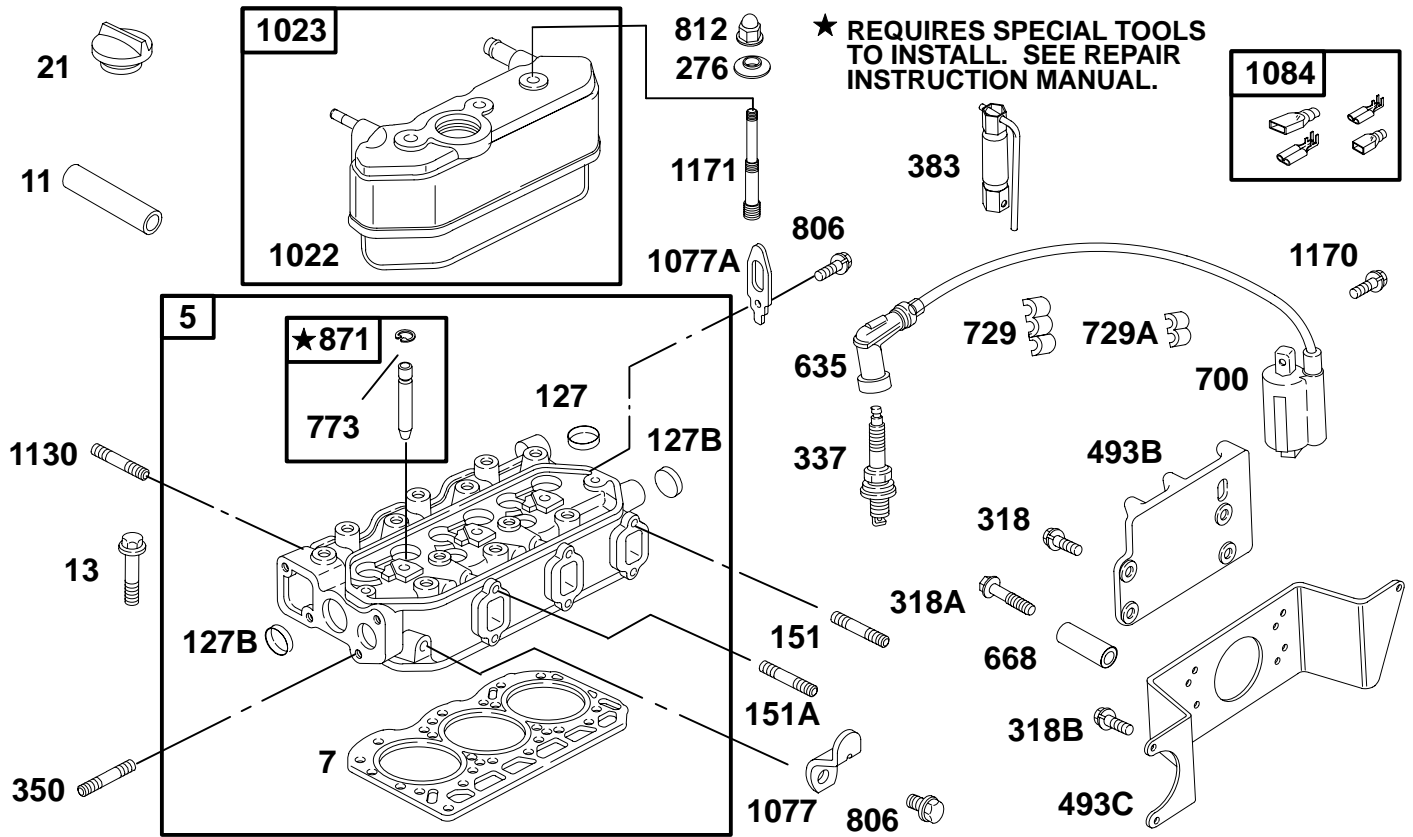
★ Included in Engine Gasket Set-See Ref 358.

1390-3

Assemblies include all parts shown in frames.

3C-5/2001

580400 to 580499



REF. NO.	PART NO.	DESCRIPTION	REF. NO.	PART NO.	DESCRIPTION	REF. NO.	PART NO.	DESCRIPTION
5	▽ 825376	Head-Cylinder (Used After Code Date 98123100). Note 825048 Head-Cylinder (Used Before Code Date 99010100).		820074	Screw (Cylinder Head) (Used Before Code Date 99010100).	350	820078	Stud (Water Pump)
7	★△ 820648	Gasket-Cylinder Head	21	825024	Cap-Oil Fill	383	19374	Wrench-Sparkplug
11	820048	Tube-Breather (Cylinder Head)	127	820004	Plug-Welch	493B	820083	Bracket-Mounting
13	820623	Screw (Cylinder Head) (Used After Code Date 99063000). Used on Type No(s). 0113, 0205, 0210, 0215, 0216, 0218, 0220, 0221, 0225. Note 820623 Screw (Cylinder Head) (Used After Code Date 98123100 and Before Code Date 99070100). Used on Type No(s). 0105, 0110, 0112, 0115, 0116.	127B	820005	Plug-Welch	493C	820251	Bracket-Mounting
			151	820014	Stud (Exhaust Manifold)	635	▽ 820084	Boot-Sparkplug
			151A	820466	Stud (Exhaust Manifold)	668	820675	Spacer
			276	★△ 820064	Washer-Sealing (Rocker Cover)	700	820037	Coil-Ignition
			318A	820676	Screw (Mounting Bracket)	729	820672	Clip-Wire
			318B	820023	Screw (Mounting Bracket)	729A	820046	Clip-Wire
			318C	820273	Screw (Mounting Bracket)	773	820130	Retainer
			337	491055	Sparkplug	806	820212	Screw (Lifting Bracket)
						812	820071	Nut (Rocker Cover)
						871	▽ 825030	Bushing-Valve Guide
						1022	★△ 820150	Gasket-Rocker Cover
						1023	825277	Cover-Rocker
						1077	820260	Bracket-Lifting
						1077A	820254	Bracket-Lifting
						1084	825155	Connector-Terminal
						1130	820015	Stud (Intake Manifold)
						1170	820012	Screw (Ignition Coil)
						1171	820076	Stud (Rocker Cover)

▽ Refer To Repair Manual MS 0750 For Assembly and/or Torque Requirements.

◆ Included in Carburetor Overhaul Kit - See Ref 121.
△ Included in Valve Gasket Set-See Ref 1095.

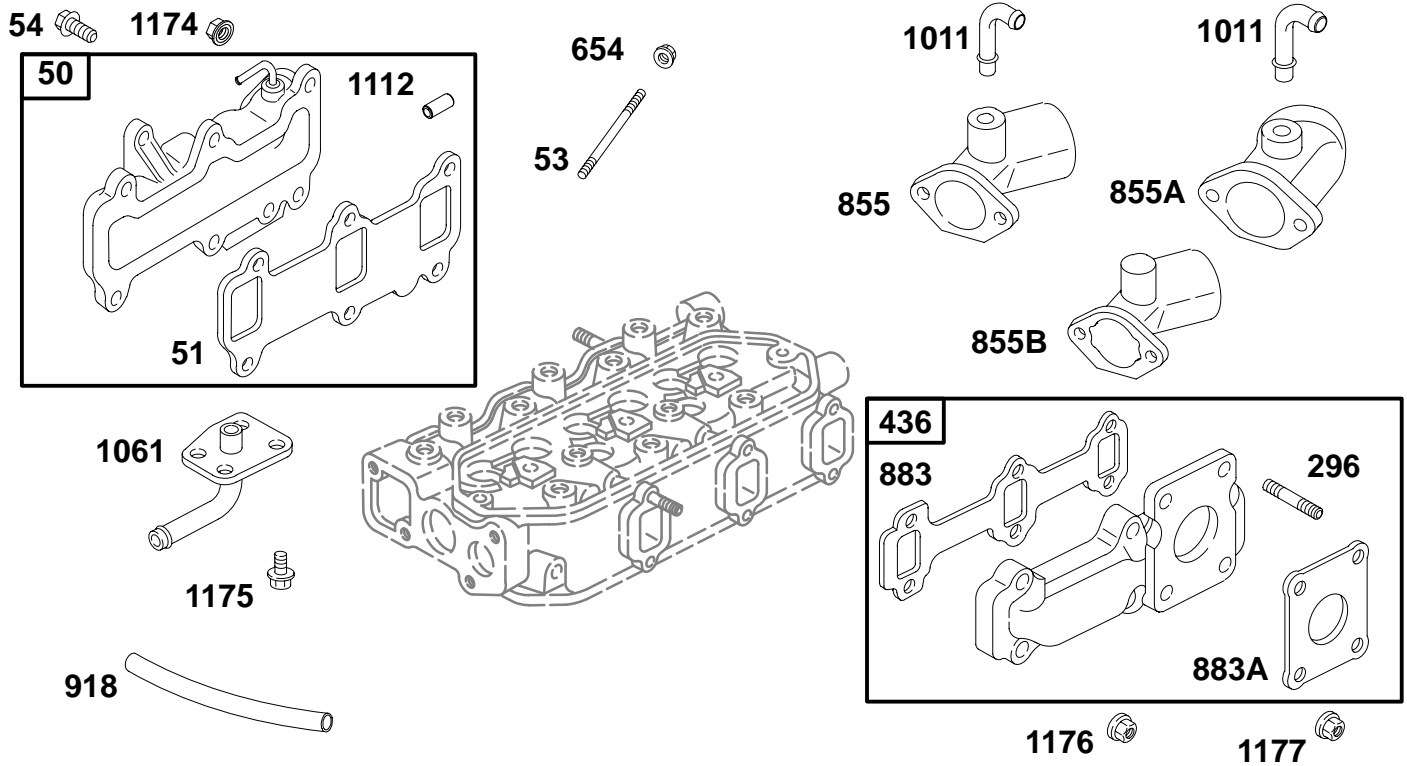
★ Included in Engine Gasket Set-See Ref 358.

1390-4

Assemblies include all parts shown in frames.

3C-5/2001

580400 to 580499



REF. NO.	PART NO.	DESCRIPTION	REF. NO.	PART NO.	DESCRIPTION	REF. NO.	PART NO.	DESCRIPTION
50	▽825261	Manifold-Intake (Used After Code Date 97022700). Note ▽825053 Manifold-Intake (Used Before Code Date 97022800).	855	820595	Adapter-Air Cleaner (Perpendicular to Crankshaft)	918	820393	Hose-Vacuum
51	820087	Gasket-Intake	855A	820161	Adapter-Air Cleaner (Parallel to Crankshaft)	1011	820184	Tube-Vent
53	820077	Stud (Carburetor Mounting)	855B	820446	Adapter-Air Cleaner Used on Type No(s). 0112, 0113.	1061	▽820090	Cover-Outlet
54	820034	Screw (Intake Manifold)	883	★△820817	Gasket-Exhaust (Exhaust Manifold) (Used After Code Date 99080100). Note ★△820088 Gasket-Exhaust (Exhaust Manifold) (Used Before Code Date 99080200).	1112	820543	Plug-Vent (Used After Code Date 97022800).
296	820553	Stud (Muffler)	883A	★820670	Gasket-Exhaust (Muffler)	1174	820069	Nut (Intake Manifold)
436	▽825055	Manifold-Exhaust				1175	820031	Screw (Outlet Cover)
654	820011	Nut (Carburetor)				1176	820010	Nut (Exhaust Manifold)
						1177	820178	Nut (Muffler)

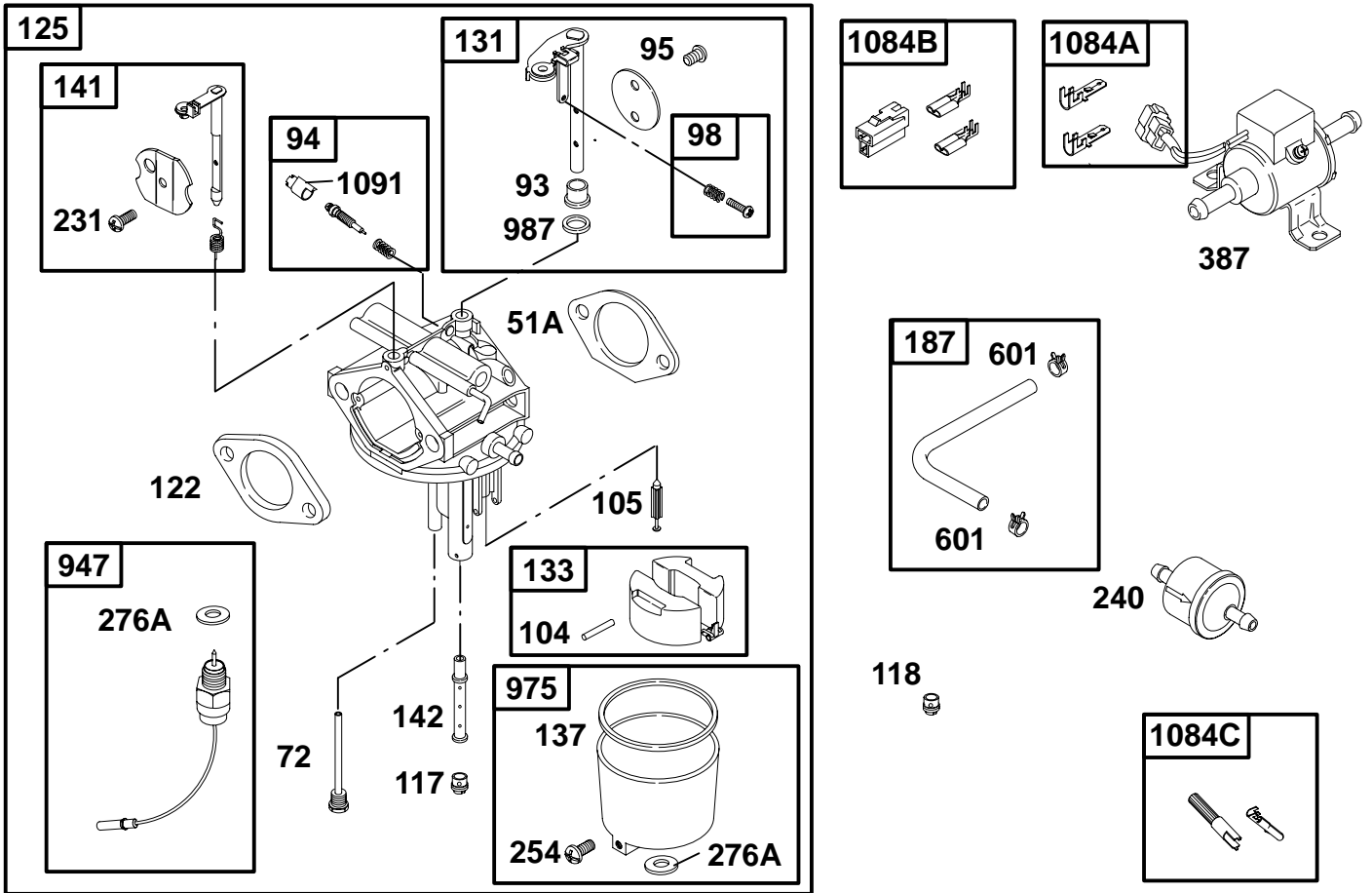
▽ Refer To Repair Manual MS 0750 For Assembly and/or Torque Requirements.

★ Included in Engine Gasket Set-See Ref 358.

◆ Included in Carburetor Overhaul Kit - See Ref 121.

△ Included in Valve Gasket Set-See Ref 1095.

580400 to 580499



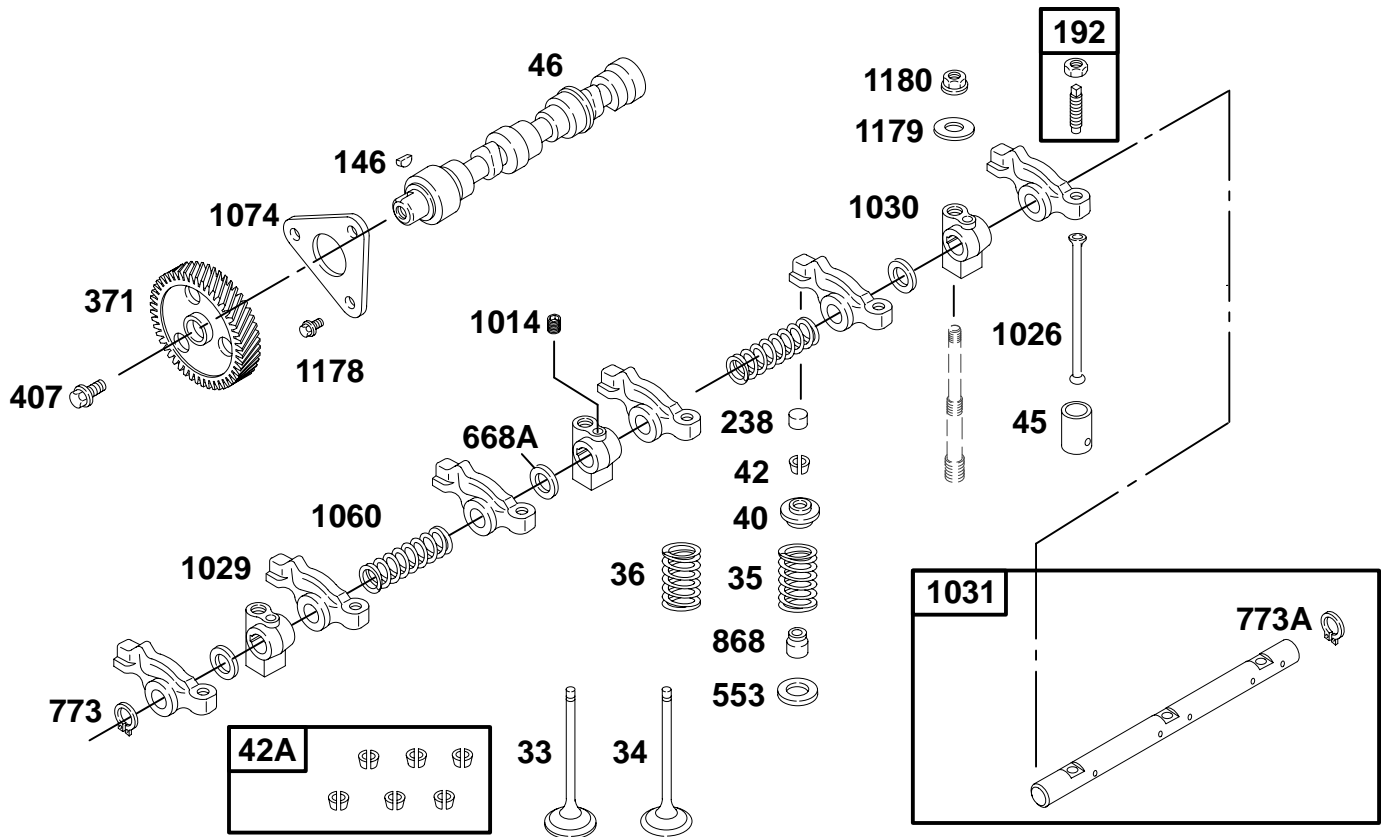
REF. NO.	PART NO.	DESCRIPTION	REF. NO.	PART NO.	DESCRIPTION	REF. NO.	PART NO.	DESCRIPTION
51A	◆*820160	Gasket-Intake	122	820082	Spacer-Carburetor	387	825232	Pump-Fuel
72	◆820626	Tube-Jet	125	825207	Carburetor	601	820006	Clamp-Hose
93	◆	Bushing-Throttle Shaft (Sold In Kit Only)			Note	947	825377	Solenoid-Fuel
94	★◆825241	Kit-Idle Mixture			825320 Carburetor	975	825239	Bowl-Float
95	820485	Screw (Throttle Valve)			Used on Type No(s). 0105, 0205, 0218, 0220, 0221, 0225.	987	◆	Seal-Throttle Shaft (Sold In Kit Only)
98	★◆825242	Kit-Idle Speed	131	825297	Kit-Throttle Shaft	1084A	825156	Terminal-Connector (Fuel Pump) (Female)
104	690739	Pin-Float Hinge	133	825240	Float-Carburetor	1084B	825157	Terminal-Connector (Fuel Pump) (Male)
105	◆820486	Valve-Needle Valve	137	◆820489	Gasket-Float Bowl	1084C	825158	Terminal-Connector (Solonoid)
117	◆820627	Jet-Main (Standard)	141	825246	Kit-Choke Shaft	1091	◆691515	Cap-Limiter
		Note	142	◆820490	Nozzle-Carburetor			
		820457 Jet-Main (Standard)	187	825044	Line-Fuel			
		Used on Type No(s). 0105, 0205, 0218, 0220, 0221, 0225.	231	820485	Screw (Choke Valve)			
118	820548	Jet-Main (High Altitude) (Not Used with Above Type Numbers)	240	692983	Filter-Fuel			
			254	820491	Drain-Carburetor Bowl			
			276A	◆692343	Washer-Sealing			

▽ Refer To Repair Manual MS 0750 For Assembly and/or Torque Requirements.

★ Included in Engine Gasket Set-See Ref 358.

◆ Included in Carburetor Overhaul Kit - See Ref 121.

△ Included in Valve Gasket Set-See Ref 1095.



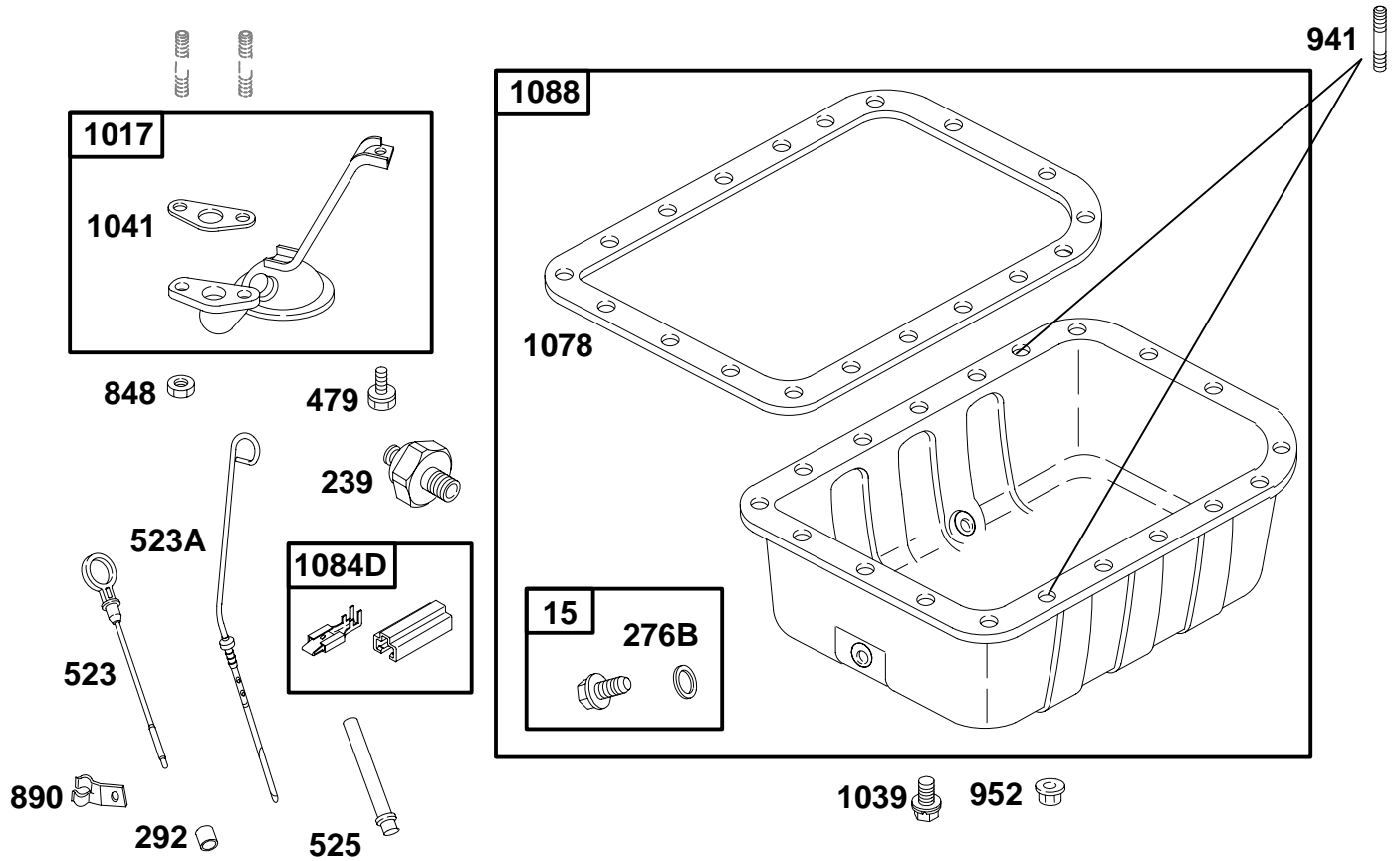
REF. NO.	PART NO.	DESCRIPTION	REF. NO.	PART NO.	DESCRIPTION	REF. NO.	PART NO.	DESCRIPTION
33	820114	Valve-Exhaust	371	820613	Gear-Cam (Used After Code Date 99063000). Used on Type No(s). 0113, 0205, 0210, 0215, 0216, 0218, 0220, 0221, 0225.	773A	820003	Retainer
34	820115	Valve-Intake			Note 820613 Gear-Cam (Used After Code Date 98123100 and Before Code Date 99070100). Used on Type No(s). 0105, 0110, 0112, 0115, 0116.	868	820041	Seal-Valve
35	820043	Spring-Valve (Intake)			820119 Gear-Cam (Used Before Code Date 99010100).	1014	820105	Screw (Rocker Arm Support)
36	820043	Spring-Exhaust (Exhaust)				1026	820422	Rod-Push
40	820111	Retainer-Valve				1029	▽ 820387	Arm-Rocker (Used After Code Date 96011800).
42	825042	Keeper-Valve (Contains 1 Set of 6 Required)						Note 820107 Arm-Rocker (Used Before Code Date 96011900).
42A	825082	Keeper-Valve (Contains 6 Sets)						
45	820110	Tappet-Valve				1030	▽ 820106	Support-Rocker Arm
46	820388	Camshaft (Used After Code Date 96011800).				1031	▽ 825093	Shaft-Rocker Arm
		Note 820122 Camshaft (Used Before Code Date 96011900).				1060	▽ 820044	Spring-Rocker Shaft
146	691639	Key-Timing	407	820075	Screw (Cam Gear)	1074	820118	Retainer-Camshaft
192	825041	Adjuster-Rocker Arm	553	820112	Retainer-Valve Spring	1178	820032	Screw (Rocker Arm Support)
238	820113	Cap-Valve	668A	▽ 820065	Spacer (Rocker Shaft)	1179	820177	Washer (Rocker Arm Support)
						1180	820070	Nut (Rocker Arm Support)

▽ Refer To Repair Manual MS 0750 For Assembly and/or Torque Requirements.

◆ Included in Carburetor Overhaul Kit - See Ref 121.
△ Included in Valve Gasket Set-See Ref 1095.

★ Included in Engine Gasket Set-See Ref 358.

580400 to 580499

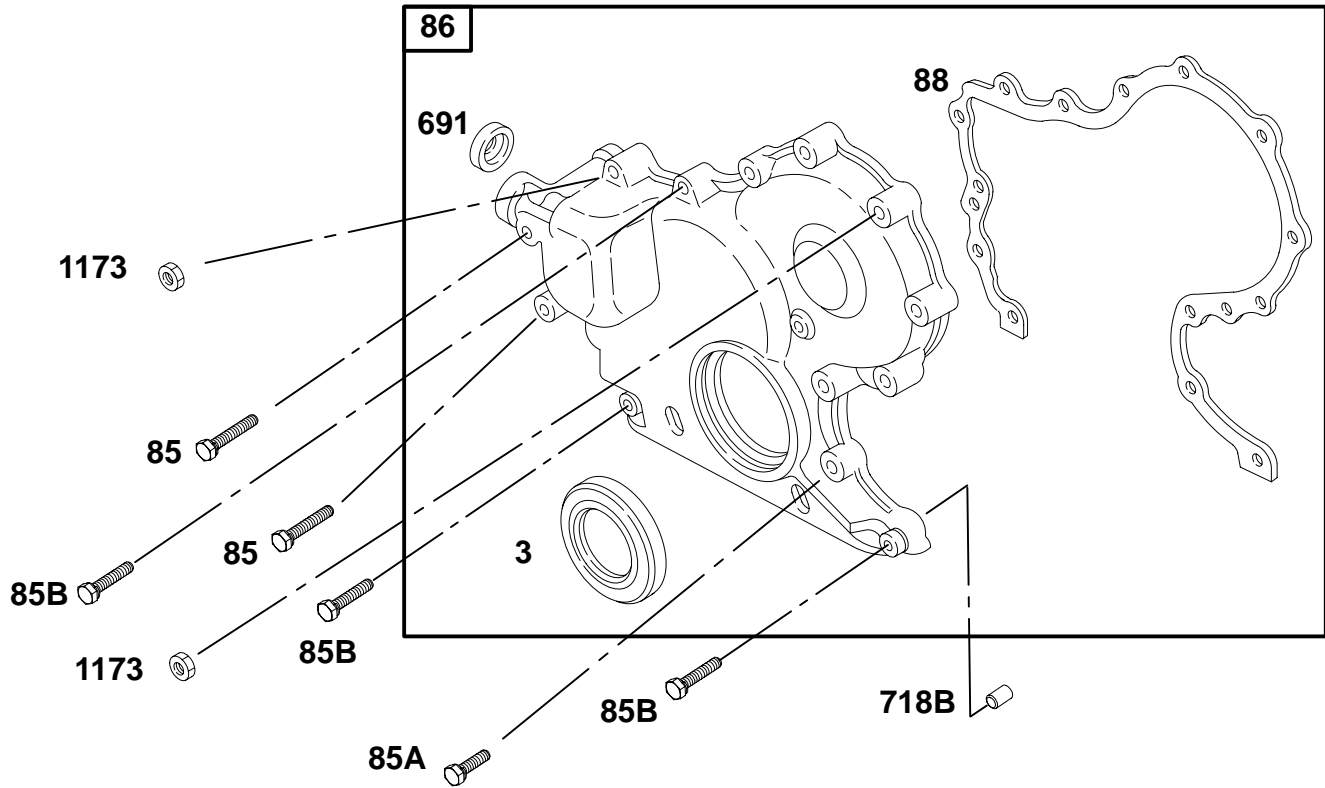


REF. NO.	PART NO.	DESCRIPTION	REF. NO.	PART NO.	DESCRIPTION	REF. NO.	PART NO.	DESCRIPTION
15	825278	Plug—Oil Drain (16 mm Diameter) (Requires 2 For Dual Drain Oil Pans)	292	▽ 820662	Collar—Dipstick Tube	848	820069	Nut (Oil Pump Screen)
		Note	479	820034	Screw (Oil Pump Screen)	890	820238	Bracket—Support
		825043 Plug—Oil Drain (12 mm Diameter) (Requires 2 For Dual Drain Oil Pans)	523	820103	Dipstick	941	820017	Stud (Oil Pan)
239	825000	Switch—Oil Pressure	523A	820572	Dipstick (Used After Code Date 98123100). Used on Type No(s). 0112, 0113.	952	820068	Nut (Oil Pan)
276B	★820582	Washer—Sealing (Oil Drain Plug) (16 mm Diameter) (Requires 2 For Dual Drain Oil Pans)			Note	1017	▽ 825089	Screen—Oil Pump
		Note			820237 Dipstick (Used Before Code Date 99010100). Used on Type No(s). 0112, 0113.	1039	820034	Screw (Oil Pan)
		★820049 Washer— Sealing (Oil Drain Plug) (12 mm Diameter) (Requires 2 For Dual Drain Oil Pans)	525	820144	Tube—Dipstick	1041	★820104	Gasket—Oil Pump Screen
						1078	★820137	Gasket—Oil Pan
						1084D	825154	Terminal—Connector (Oil Pressure Switch)
						1088	▽ 825285	Pan—Oil (Dual Drain) (16 mm Diameter Plugs)

▽ Refer To Repair Manual MS 0750 For Assembly and/or Torque Requirements.

◆ Included in Carburetor Overhaul Kit – See Ref 121.
△ Included in Valve Gasket Set—See Ref 1095.

★ Included in Engine Gasket Set—See Ref 358.



REF. NO.	PART NO.	DESCRIPTION	REF. NO.	PART NO.	DESCRIPTION	REF. NO.	PART NO.	DESCRIPTION
3	★820055	Seal–Oil (Magneto Side)	86	▽ 825046	Cover–Gear	691	★820054	Seal–Governor Shaft
85	820026	Screw (Gear Cover to Gear Reduction Case)	88	★820148	Gasket–Gear Reduction Cover	718B	820061	Pin–Locating
85A	820029	Screw (Gear Cover to Gear Reduction Case)				1173	820069	Nut (Gear Cover to Gear Reduction Case)
85B	820027	Screw (Gear Cover to Gear Reduction Case)						

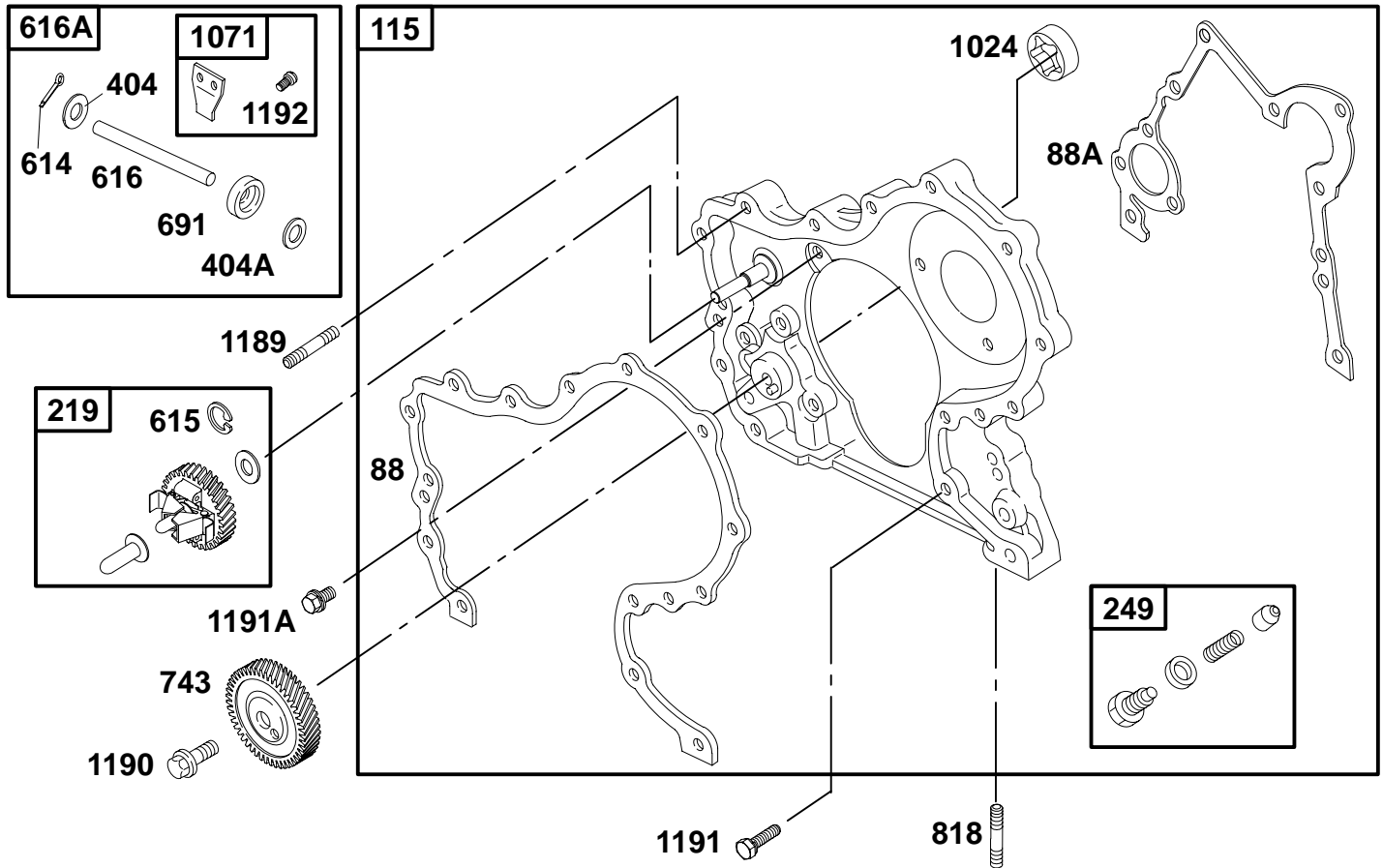
▽ Refer To Repair Manual MS 0750 For Assembly and/or Torque Requirements.

★ Included in Engine Gasket Set–See Ref 358.

◆ Included in Carburetor Overhaul Kit – See Ref 121.

△ Included in Valve Gasket Set–See Ref 1095.

580400 to 580499



REF. NO.	PART NO.	DESCRIPTION	REF. NO.	PART NO.	DESCRIPTION	REF. NO.	PART NO.	DESCRIPTION
88	★820148	Gasket–Gear Reduction Cover			Date 99010100).			98123100 and Before Code Date 99070100).
88A	★820155	Gasket–Gear Reduction Cover	249	▽ 825032	Valve–Pressure Relief			Used on Type No(s). 0105, 0110, 0112, 0115, 0116.
115	▽ 825059	Housing–Gear	404	820167	Washer (Governor Crank)			820121 Gear–Drive (Used Before Code Date 99010100).
219	▽ 825331	Gear–Governor (Used After Code Date 99063000). Used on Type No(s). 0113, 0205, 0210, 0215, 0216, 0218, 0220, 0221, 0225.	404A	820169	Washer (Governor Crank)	818	820016	Stud (Oil Pump Screen)
	Note		614	820168	Retainer–Governor Shaft	1024		Pump–Oil (Sold in Gear Housing Only, Ref 115)
	825331	Gear–Governor (Used After Code Date 98123100 and Before Code Date 99070100). Used on Type No(s). 0105, 0110, 0112, 0115, 0116.	615	820163	Retainer–Governor Shaft	1071	▽ 825086	Paddle–Governor
	825085	Gear–Governor (Used Before Code	616	820165	Crank–Governor (Shaft)	1189	820156	Stud (Gear Housing)
			616A	▽ 825087	Crank–Governor	1190	820180	Screw (Drive Gear)
			691	★820054	Seal–Governor Shaft	1191	820030	Screw (Gear Housing)
			743	820615	Gear–Drive (Used After Code Date 99063000). Used on Type No(s). 0113, 0205, 0210, 0215, 0216, 0218; 0220, 0221, 0225.	1191A	820033	Screw (Gear Housing)
				Note		1192	▽ 820166	Screw (Governor Paddle)
				820615	Gear–Drive (Used After Code Date			

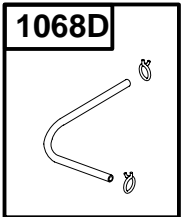
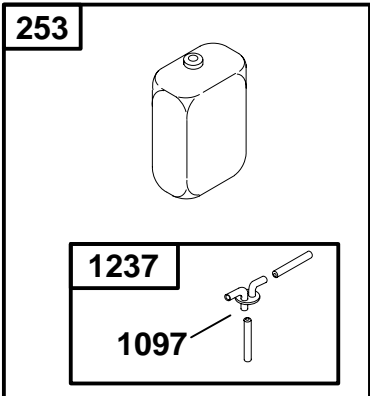
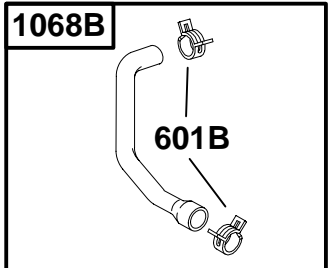
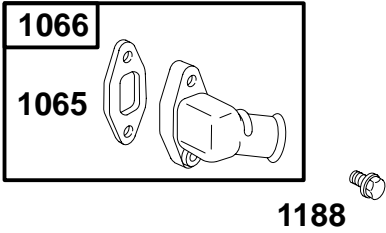
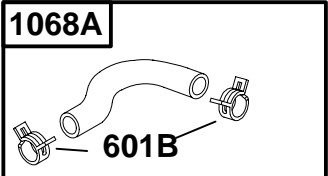
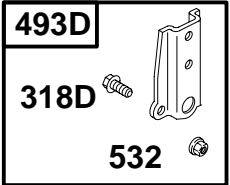
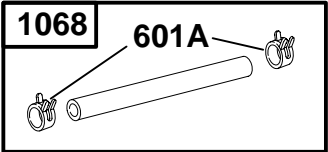
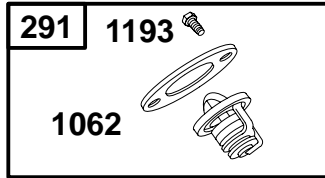
▽ Refer To Repair Manual MS 0750 For Assembly and/or Torque Requirements.

★ Included in Engine Gasket Set–See Ref 358.

◆ Included in Carburetor Overhaul Kit – See Ref 121.

△ Included in Valve Gasket Set–See Ref 1095.

580400 to 580499



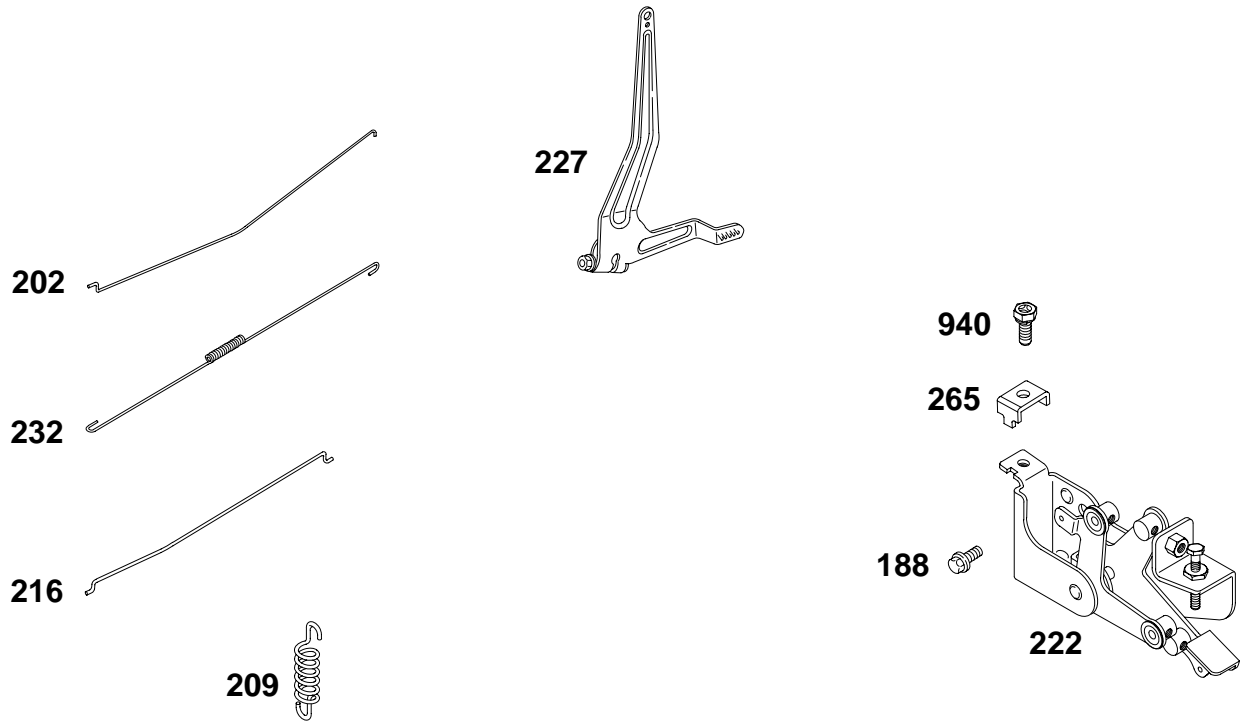
REF. NO.	PART NO.	DESCRIPTION	REF. NO.	PART NO.	DESCRIPTION	REF. NO.	PART NO.	DESCRIPTION
253	825428	Tank-Reserve	601A	820045	Clamp-Hose	1068	825045	Hose/Clamp Assembly
291	825064	Thermostat	601B	820256	Clamp-Hose			Assembly
318D	820033	Screw (Mounting Bracket)	1062	★820093	Gasket-Outlet Housing	1068A	825134	Hose/Clamp Assembly
493D	825106	Bracket-Mounting	1065	★820098	Gasket-Inlet Housing	1068B	825133	Hose/Clamp Assembly
532	820011	Nut (Mounting Bracket)	1066	825051	Housing-Inlet	1068D	825296	Hose/Clamp Assembly
						1097	▽ 820287	Cap-Surge Tank
						1188	820031	Screw (Inlet Housing)
						1193	820185	Screw (Thermostat)
						1237	825295	Cap/Hose Reserve

▽ Refer To Repair Manual MS 0750 For Assembly and/or Torque Requirements.

★ Included in Engine Gasket Set-See Ref 358.

◆ Included in Carburetor Overhaul Kit - See Ref 121.

△ Included in Valve Gasket Set-See Ref 1095.



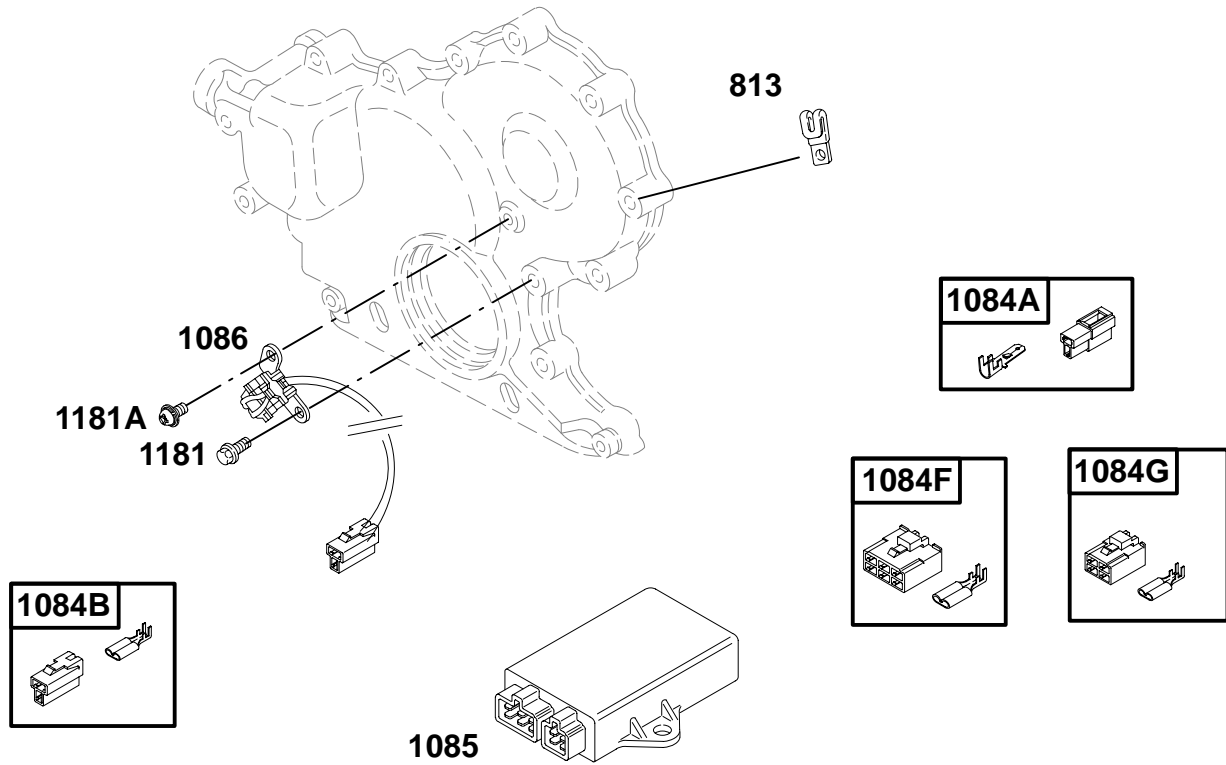
REF. NO.	PART NO.	DESCRIPTION	REF. NO.	PART NO.	DESCRIPTION	REF. NO.	PART NO.	DESCRIPTION
188	820174	Screw (Control Bracket)	209	820175	Spring-Governor Note 820315 Spring-Governor Used on Type No(s). 0112, 0113.	216	820173	Link-Choke
202	820171	Link-Mechanical Governor				222	825062	Bracket-Control
						227	▽ 825061	Lever-Governor Control
						232	820172	Spring-Governor Link
						265	691024	Clamp-Casing
						940	692083	Screw (Casing Clamp)

▽ Refer To Repair Manual MS 0750 For Assembly and/or Torque Requirements.

◆ Included in Carburetor Overhaul Kit – See Ref 121.
△ Included in Valve Gasket Set–See Ref 1095.

★ Included in Engine Gasket Set–See Ref 358.

580400 to 580499



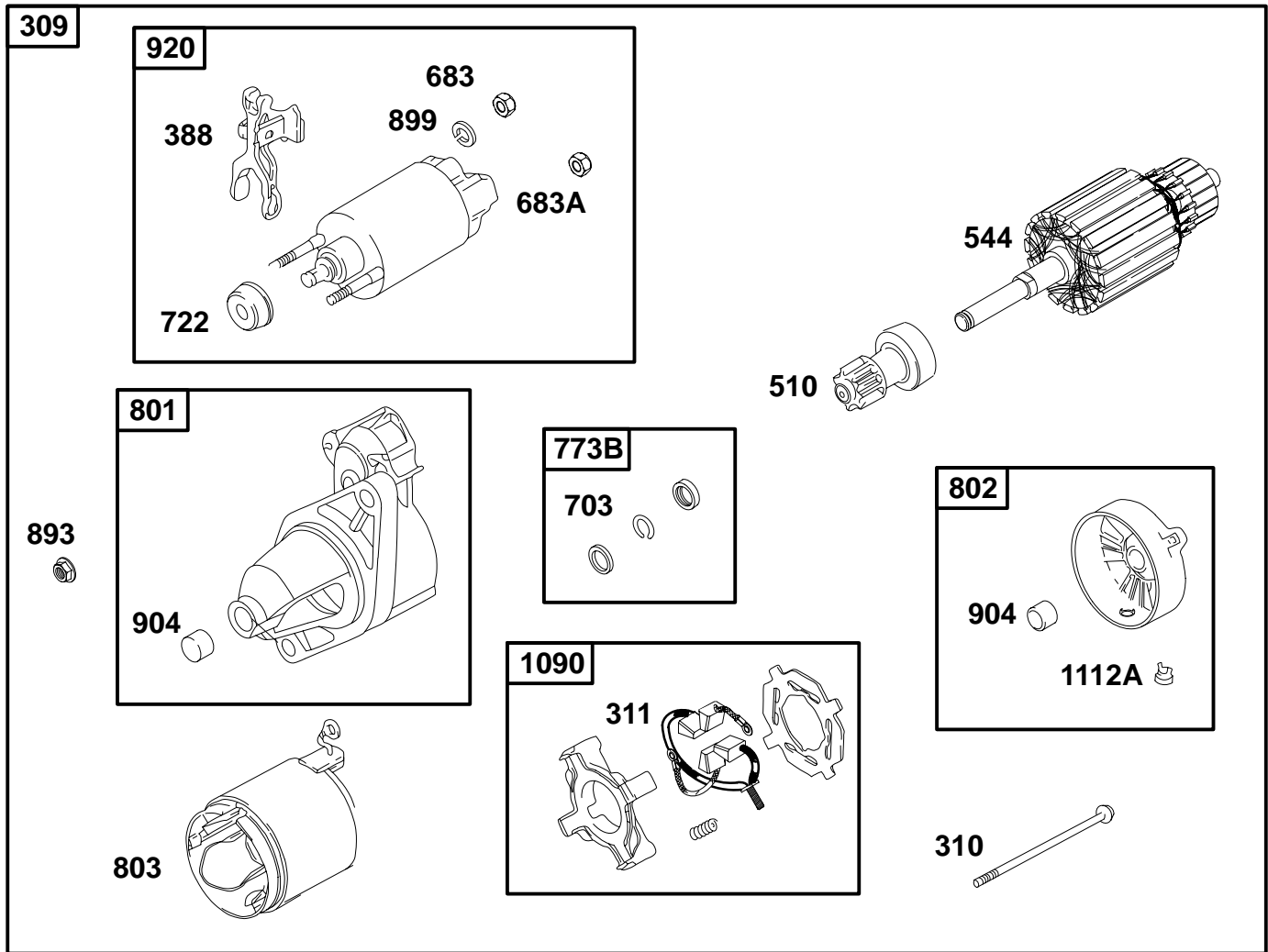
REF. NO.	PART NO.	DESCRIPTION	REF. NO.	PART NO.	DESCRIPTION	REF. NO.	PART NO.	DESCRIPTION
813	820047	Clamp	1084F	825162	Connector-Terminal (Ignition Module, Male)	1086	825009	Trigger-Ignition
1084A	825156	Connector-Terminal (Trigger, Female)	1084G	825163	Connector-Terminal (Ignition Module, Male)	1181	820029	Screw (Ignition Trigger)
1084B	825157	Connector-Terminal (Alternator and Ignition Trigger, Male)	1085	825273	Module-Ignition	1181A	820013	Screw (Ignition Trigger)

▽ Refer To Repair Manual MS 0750 For Assembly and/or Torque Requirements.

★ Included in Engine Gasket Set-See Ref 358.

◆ Included in Carburetor Overhaul Kit - See Ref 121.

△ Included in Valve Gasket Set-See Ref 1095.



REF. NO.	PART NO.	DESCRIPTION	REF. NO.	PART NO.	DESCRIPTION	REF. NO.	PART NO.	DESCRIPTION
309	825095	Motor-Starter (0.8 KW)	683	820813	Nut (Starter Solenoid) (Terminal)	893	820805	Nut (Starter Solenoid)
310	820807	Bolt (Starter Motor)	683A	820809	Nut (Starter Solenoid) (Terminal)	899	820811	Washer (Starter Solenoid) (Terminal)
311	825411	Brush Set	703	820803	Clip	904	820793	Bearing-Needle
388	820799	Lever-Pinion Drive	722	820801	Seal-Pluner	920	825418	Solenoid-Starter
510	820789	Drive-Starter	773B	825420	Retainer	1090	825412	Retainer-Brush
544	825414	Armature-Starter	801	820791	Cap-Drive	1112A	820797	Plug-Vent
			802	825416	Cap-End			
			803	820783	Housing-Starter			

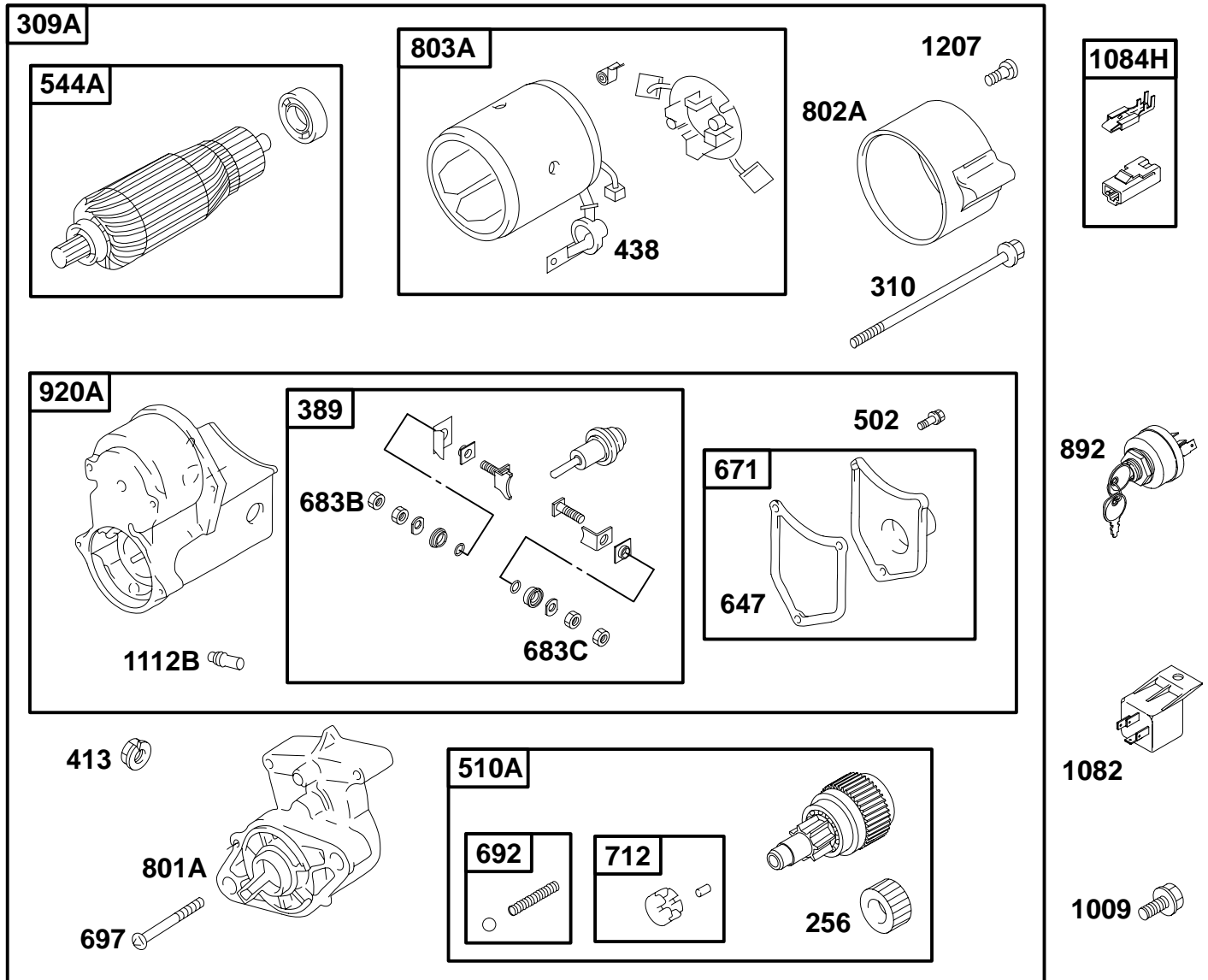
▽ Refer To Repair Manual MS 0750 For Assembly and/or Torque Requirements.

★ Included in Engine Gasket Set-See Ref 358.

◆ Included in Carburetor Overhaul Kit - See Ref 121.

△ Included in Valve Gasket Set-See Ref 1095.

580400 to 580499



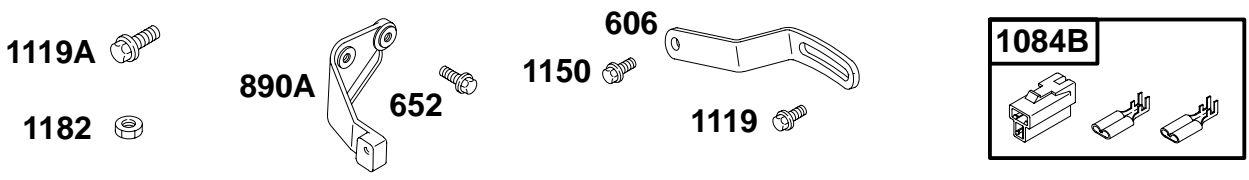
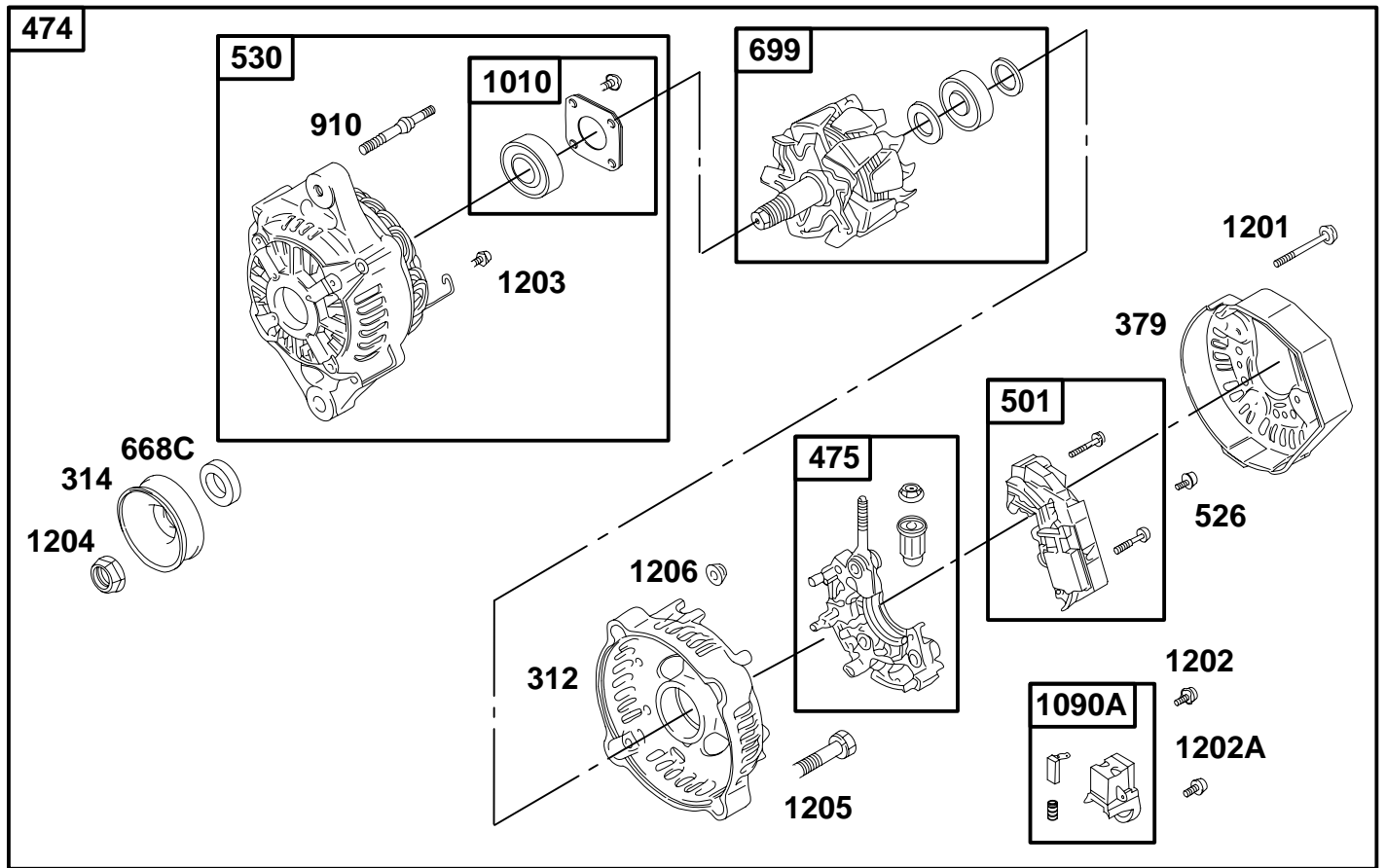
REF. NO.	PART NO.	DESCRIPTION	REF. NO.	PART NO.	DESCRIPTION	REF. NO.	PART NO.	DESCRIPTION
256	820745	Gear—Starter Drive	544A	825392	Armature—Starter	803A	825399	Housing—Starter (Includes Brushes, Springs and Brush Retainer)
309A	825083	Motor—Starter (1.0 KW)	683B	820723	Nut (Starter Solenoid) (Terminal)	892	692318	Switch—Key
310	820755	Bolt (Starter Motor)	683C	820721	Nut (Starter Solenoid) (Terminal)	920A	825398	Solenoid—Starter
389	825436	Plunger—Solenoid	671	825400	Cover—Solenoid	1009	820019	Screw (Starter Motor)
413	820067	Nut (Starter Motor)	692	825425	Detent—Spring	1082	820455	Relay—Starter
647	820733	Gasket—Solenoid Cover	697	820751	Screw (Drive Cap)	1084H	825266	Connector—Terminal (Starter Terminal)
438	820725	Boot—Terminal	712	825424	Roller—Clutch	1112B	820737	Plug—Vent
502	820739	Screw (Solenoid Cover)	801A	825396	Cap—Drive	1207	820754	Screw (End Cap)
510A	825394	Drive—Starter	802A	820743	Cap—End			

▽ Refer To Repair Manual MS 0750 For Assembly and/or Torque Requirements.

★ Included in Engine Gasket Set—See Ref 358.

◆ Included in Carburetor Overhaul Kit – See Ref 121.

△ Included in Valve Gasket Set—See Ref 1095.



REF. NO.	PART NO.	DESCRIPTION	REF. NO.	PART NO.	DESCRIPTION	REF. NO.	PART NO.	DESCRIPTION
312	820904	Housing—Brush End	890A	820213	Bracket—Support	1201	820715	Screw (Brush Cover)
314	820900	Pulley—Alternator	910	820690	Stud (Alternator)	1202	820701	Screw (Brush Retainer)
379	820703	Cover—Brush	1010	825384	Retainer—Bearing	1202A	820702	Screw (Brush Retainer)
474	825084	Alternator (40 Amp)	1084B	825157	Connector—Terminal	1203	820702	Screw (Stator Wire)
475	825385	Rectifier	1090A	825387	Retainer—Brush	1204	820705	Nut (Alternator Pulley)
501	825388	Regulator	1119	820343	Screw (Alternator)	1205	820707	Screw (Brush End Housing)
526	820702	Screw (Regulator)	1119A	820270	Screw (Alternator)	1206	820709	Nut (Brush End Housing)
530	825383	Housing—Drive End	1150	820023	Screw (Adjusting Strap)			
606	820819	Strap—Adjusting	1182	820069	Nut (Alternator)			
652	820023	Screw (Support Bracket)						
668C	820713	Spacer						
699	825390	Rotor						

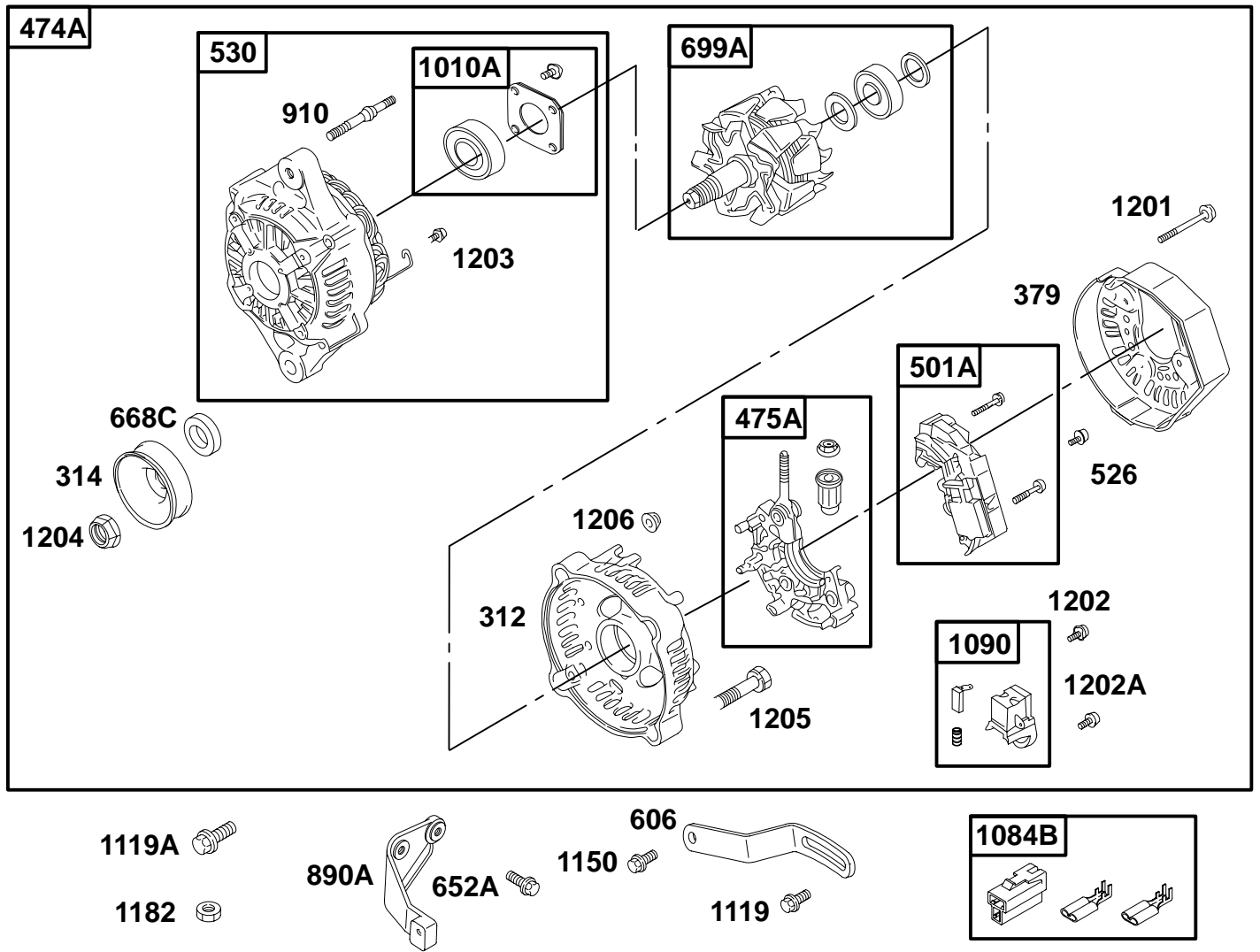
▽ Refer To Repair Manual MS 0750 For Assembly and/or Torque Requirements.

★ Included in Engine Gasket Set—See Ref 358.

◆ Included in Carburetor Overhaul Kit – See Ref 121.

△ Included in Valve Gasket Set—See Ref 1095.

580400 to 580499



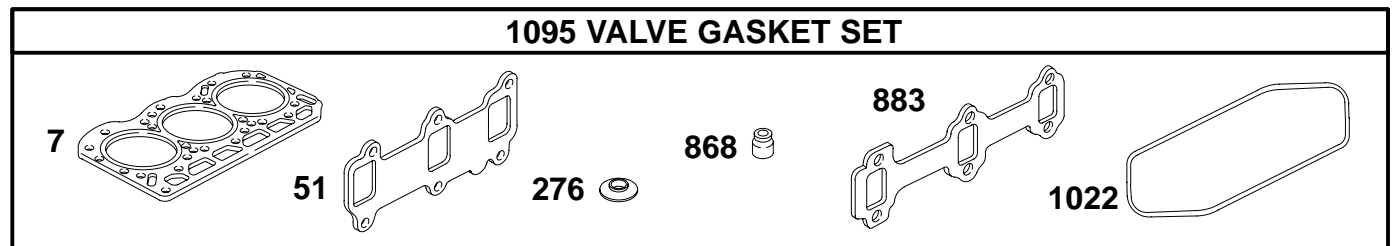
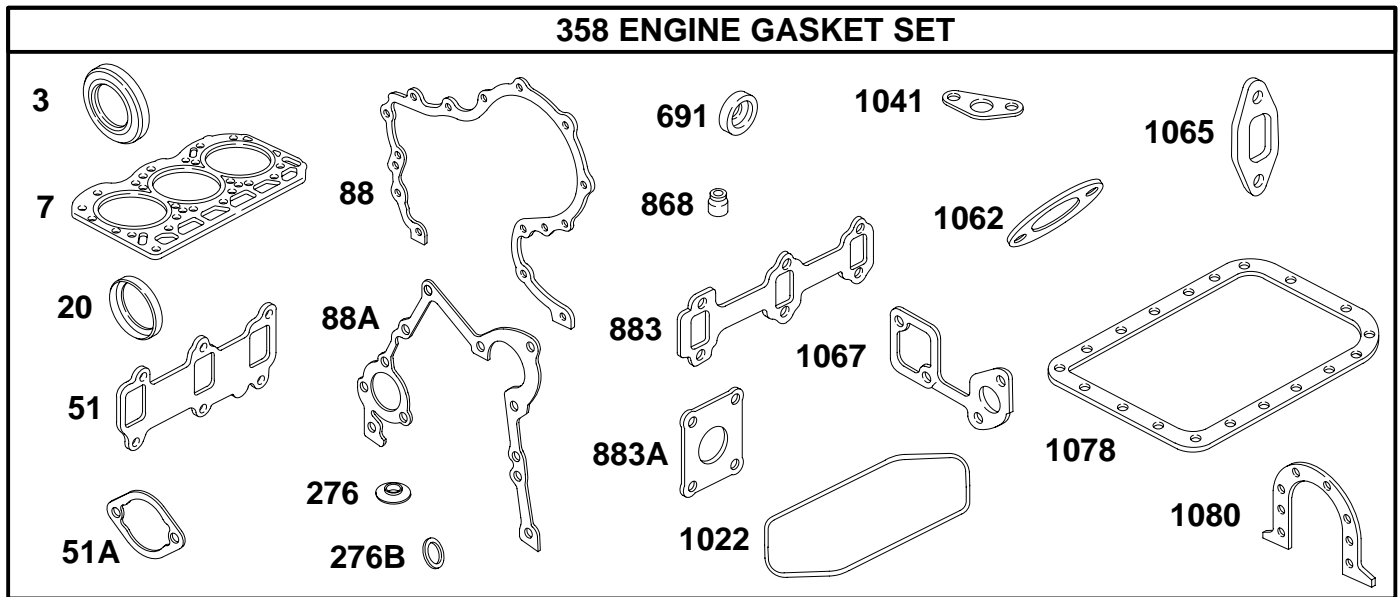
REF. NO.	PART NO.	DESCRIPTION	REF. NO.	PART NO.	DESCRIPTION	REF. NO.	PART NO.	DESCRIPTION
312	820904	Housing-Brush End	890A	820213	Bracket-Support	1201	820715	Screw (Brush Cover)
314	820900	Pulley-Alternator	910	820690	Stud (Alternator)	1202	820701	Screw (Brush Retainer)
379	820703	Cover-Brush	1010A	825384	Retainer-Bearing	1202A	820702	Screw (Brush Retainer)
474A	825480	Alternator (60 Amp)	1084B	825157	Connector-Terminal	1203	820702	Screw (Stator Wire)
475A	825482	Rectifier	1090	825387	Retainer-Brush	1204	820705	Nut (Alternator Pulley)
501A	825481	Regulator	1119	820343	Screw (Alternator)	1205	820707	Screw (Brush End Housing)
526	820702	Screw (Rectifier)	1119A	820270	Screw (Alternator)	1206	820709	Nut (Brush End Housing)
530	825484	Housing-Drive End	1150	820023	Screw (Adjusting Strap)			
606	820819	Strap-Adjusting	1182	820069	Nut (Alternator)			
652A	820275	Screw (Support Bracket)						
668C	820713	Spacer						
699A	825486	Rotor Assembly						

▽ Refer To Repair Manual MS 0750 For Assembly and/or Torque Requirements.

★ Included in Engine Gasket Set-See Ref 358.

◆ Included in Carburetor Overhaul Kit - See Ref 121.

△ Included in Valve Gasket Set-See Ref 1095.

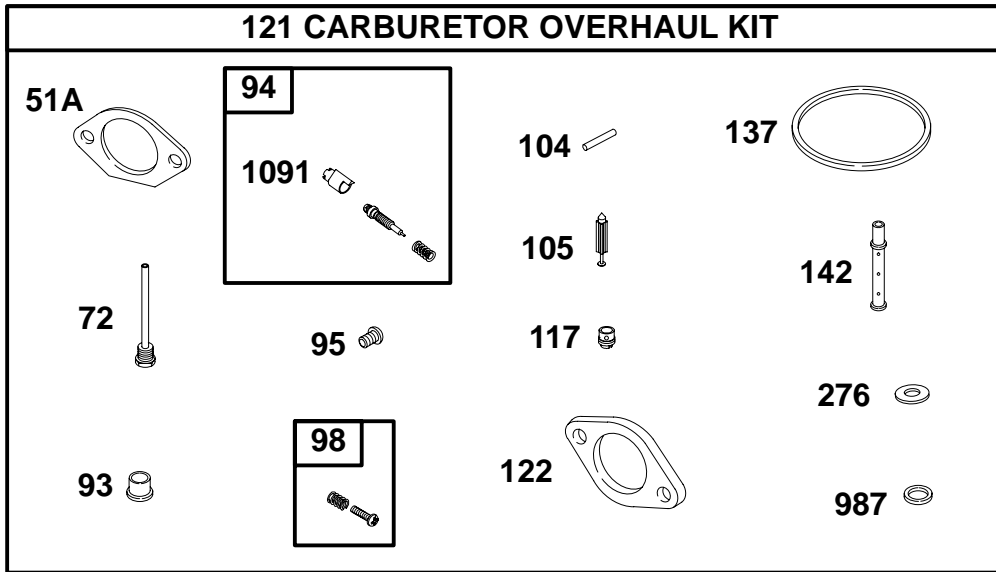


REF. NO.	PART NO.	DESCRIPTION	REF. NO.	PART NO.	DESCRIPTION	REF. NO.	PART NO.	DESCRIPTION
3	★820055	Seal—Oil (Magneto Side)	358	▽825378	Gasket Set—Engine (Used After Code Date 98123100).	1062	★820093	Gasket—Outlet Housing
7	★△▽820648	Gasket—Cylinder Head			———— Note ————	1065	★820098	Gasket—Inlet Housing
20	★820056	Seal—Oil (PTO Side)			▽825056 Gasket Set—Engine	1067	★820100	Gasket—Water Pump
51	★△820087	Gasket—Intake			(Used Before Code Date 99010100).	1078	★820137	Gasket—Oil Pan
51A	★◆820160	Gasket—Intake	691	★820054	Seal—Governor Shaft	1080	★820145	Gasket—Seal Retainer
88	★820148	Gasket—Gear Reduction Cover	868	★△820041	Seal—Valve	1095	▽825379	Gasket Set—Valve (Used After Code Date 98123100).
88A	★820155	Gasket—Gear Reduction Cover	883	★△820817	Gasket—Exhaust (Manifold)			———— Note ————
276	★△820064	Washer—Sealing (Rocker Cover)	883A	★820670	Gasket—Exhaust (Muffler)			▽825057 Gasket Set—Valve (Used Before Code Date 99010100).
276B	★820582	Washer—Sealing (Oil Drain Plug) (16 mm Diameter) (Requires 2 For Dual Drain Oil Pans)	1022	★△820150	Gasket—Rocker Cover			
			1041	★820104	Gasket—Oil Pump Screen			

▽ Refer To Repair Manual MS 0750 For Assembly and/or Torque Requirements.

◆ Included in Carburetor Overhaul Kit – See Ref 121.
 △ Included in Valve Gasket Set—See Ref 1095.

★ Included in Engine Gasket Set—See Ref 358.



REF. NO.	PART NO.	DESCRIPTION	REF. NO.	PART NO.	DESCRIPTION	REF. NO.	PART NO.	DESCRIPTION
51A	★◆820160	Gasket-Intake	98	★◆825242	Kit-Idle Speed	137	★◆820489	Gasket-Float Bowl
72	★◆820626	Tube-Jet	104	★◆690739	Pin-Float Hinge	142	★◆820490	Nozzle-Carburetor
93	★◆	Bushing-Throttle Shaft (Sold In Kit Only)	105	★◆820486	Valve-Float Needle	276	★◆692343	Washer-Sealing (Rocker Cover)
94	★◆825241	Kit-Idle Mixture	117	★◆820627	Jet-Main	987	★◆	Seal-Throttle Shaft (Sold In Kit Only)
95	★◆820485	Screw (Throttle Valve)	121	825238	Kit-Carburetor Overhaul	1091	★◆691515	Cap-Limiter
			122	★◆820082	Spacer-Carburetor			

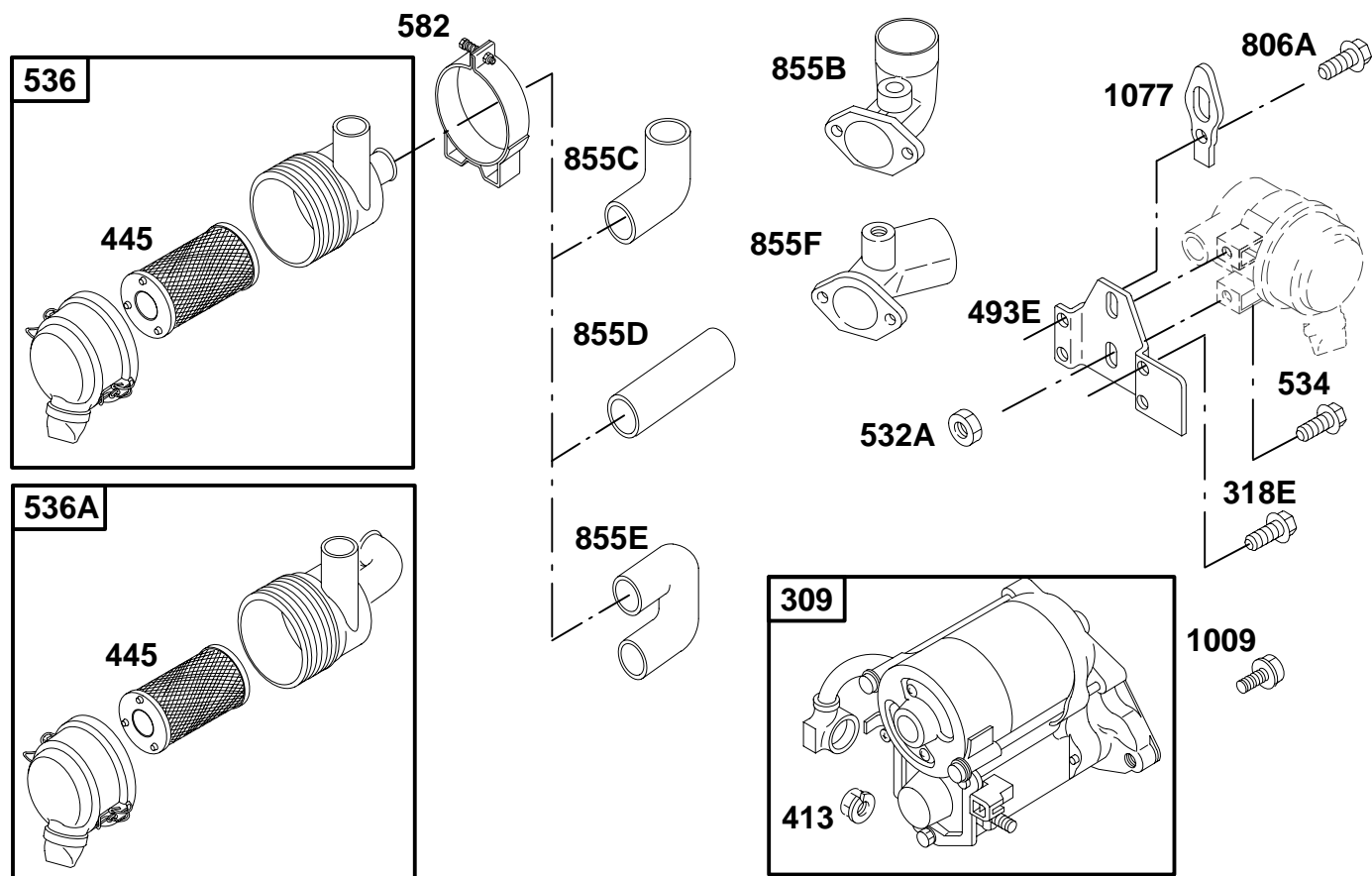
▽ Refer To Repair Manual MS 0750 For Assembly and/or Torque Requirements.

★ Included in Engine Gasket Set-See Ref 358.

◆ Included in Carburetor Overhaul Kit - See Ref 121.

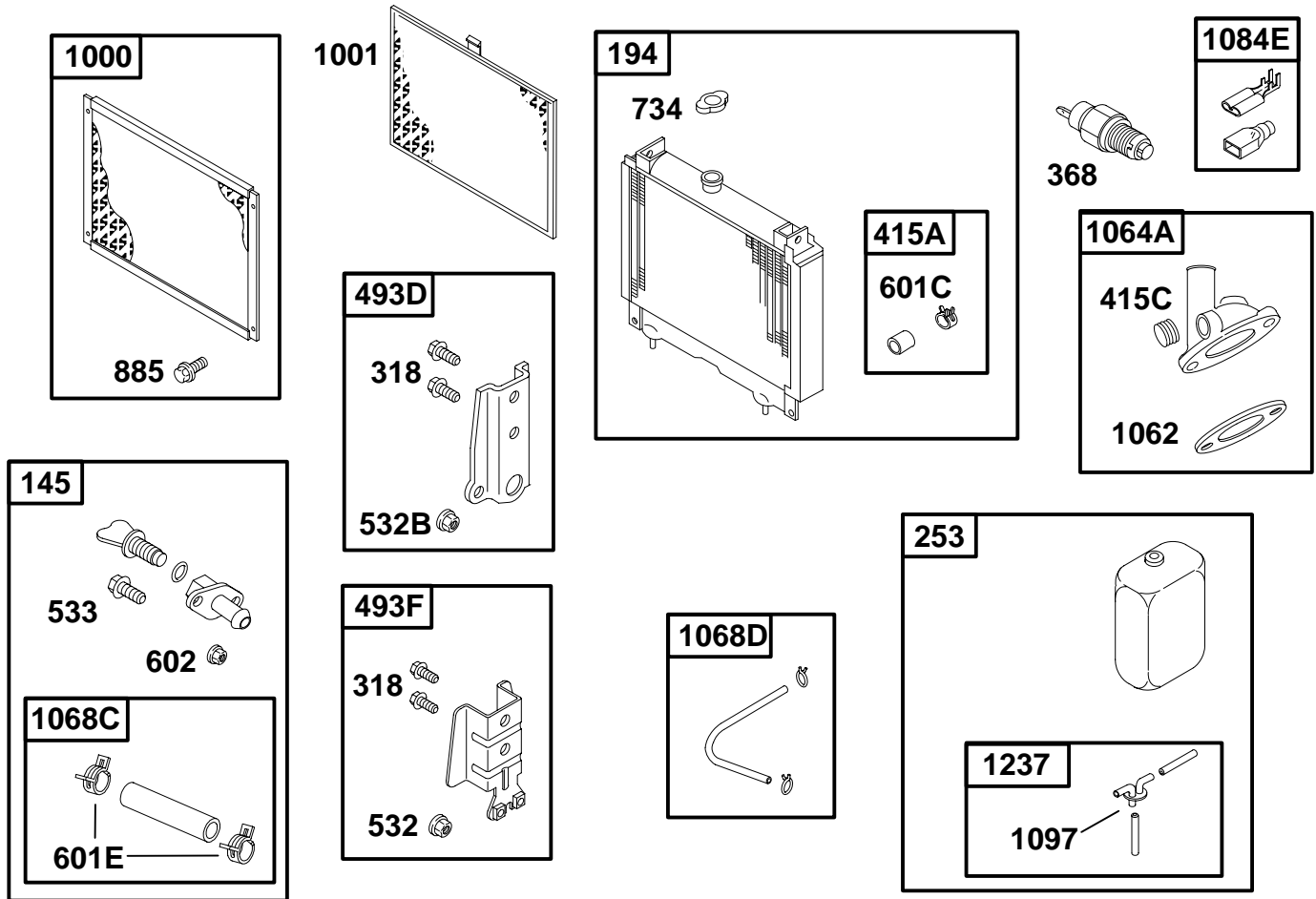
△ Included in Valve Gasket Set-See Ref 1095.

580400 to 580499 GAS ENGINE OPTIONS



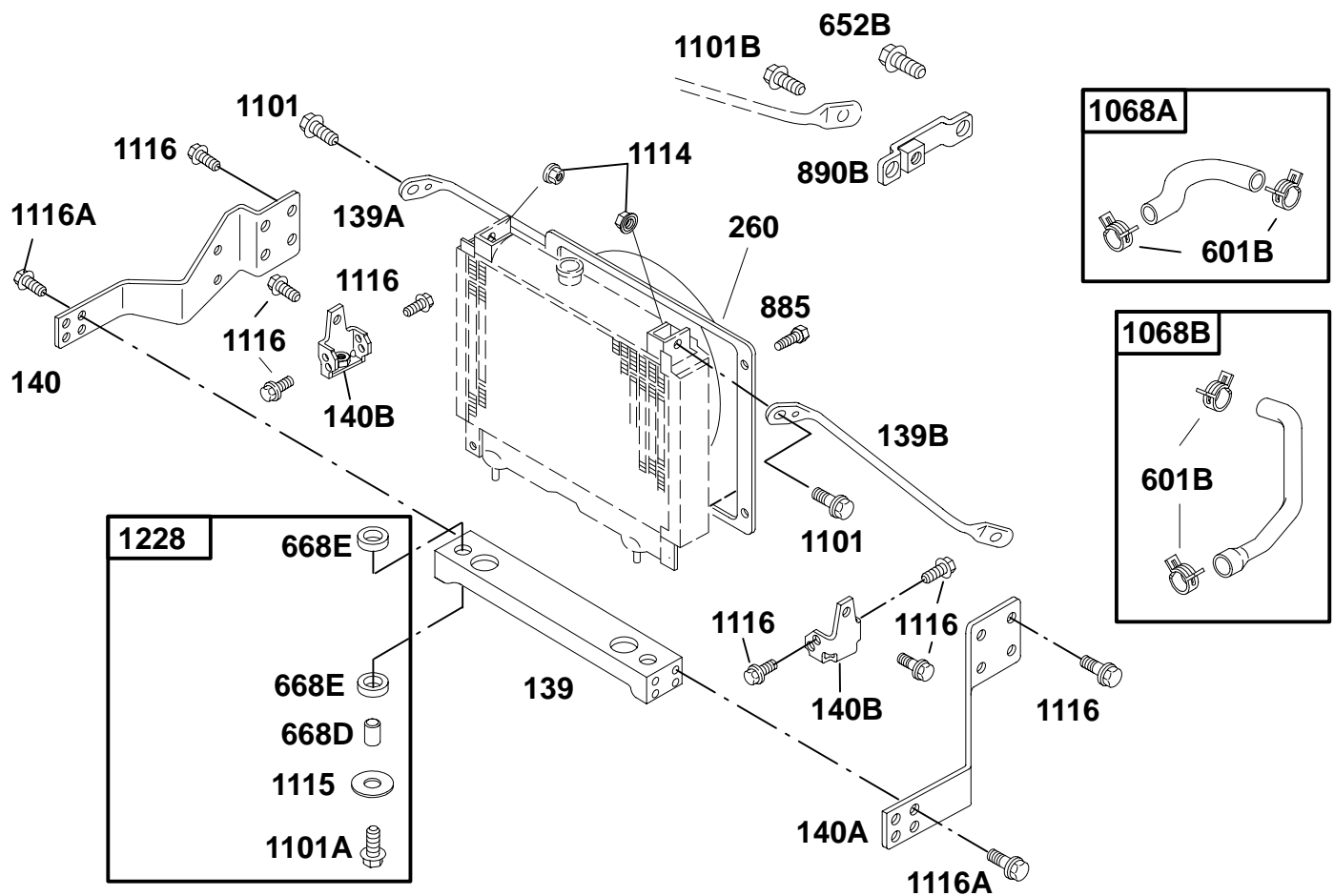
REF. NO.	PART NO.	DESCRIPTION	REF. NO.	PART NO.	DESCRIPTION	REF. NO.	PART NO.	DESCRIPTION
309	825083	Motor-Starter (1.0 KW)	582	820230	Clamp-Air Cleaner	1009	820019	Screw (Starter Motor)
318E	820212	Screw (Mounting Bracket)	806A	820024	Screw (Lifting Bracket)	———— Note ————		
413	820067	Nut (Starter Motor)	855B	820446	Adaptor-Air Cleaner (90 Degree)	820451	820451	Screw (Starter Motor)
445	820263	Filter-Air Cleaner Cartridge	855C	820554	Adaptor-Air Cleaner (90 Degree)	(Used To Mount Starter To SAE Housings)		
493C	820195	Bracket-Mounting (Air Cleaner)	855D	820555	Adaptor-Air Cleaner (Straight)			
532A	820070	Nut (Mounting Bracket)	855E	820556	Adaptor-Air Cleaner (180 Degree)	820265	820265	Screw (Starter Motor)
534	820273	Screw (Air Cleaner)	855F	820578	Adaptor-Air Cleaner (45 Degree)	(Used To Mount Starter to General Housings)		
536	825117	Cleaner-Air (With Vacuum Adaptor)	(Used With Positive Crankcase Ventilation Systems)					
536A	825118	Cleaner-Air (90 Degree Elbow With Vacuum Adaptor)						

580400 to 580499 GAS ENGINE OPTIONS



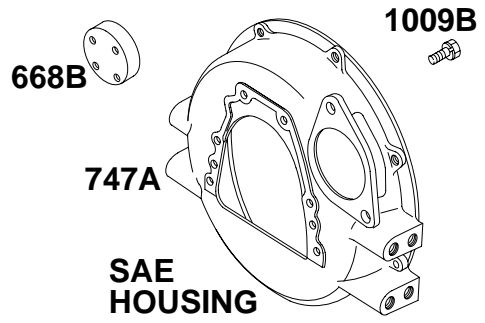
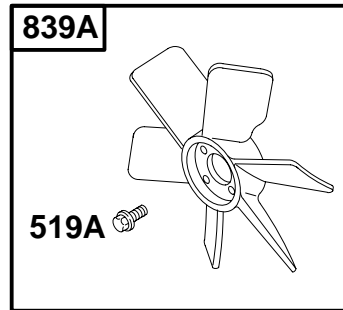
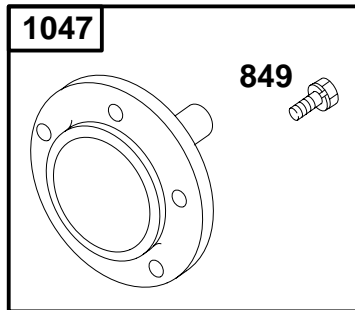
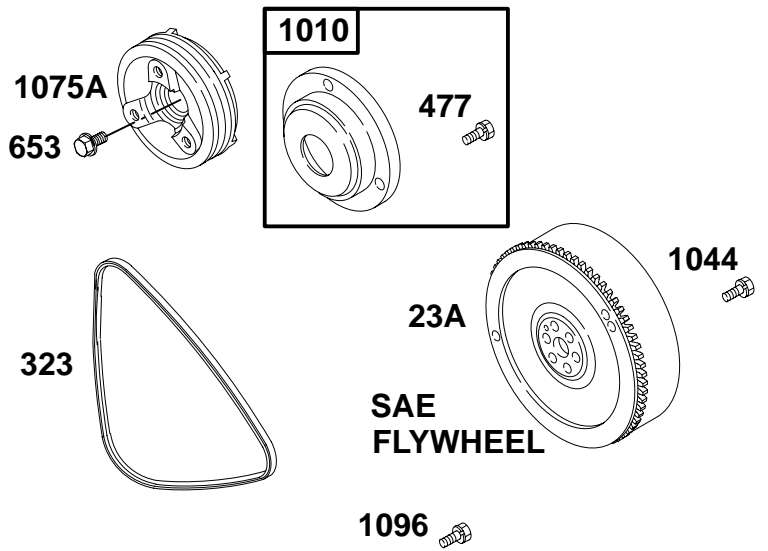
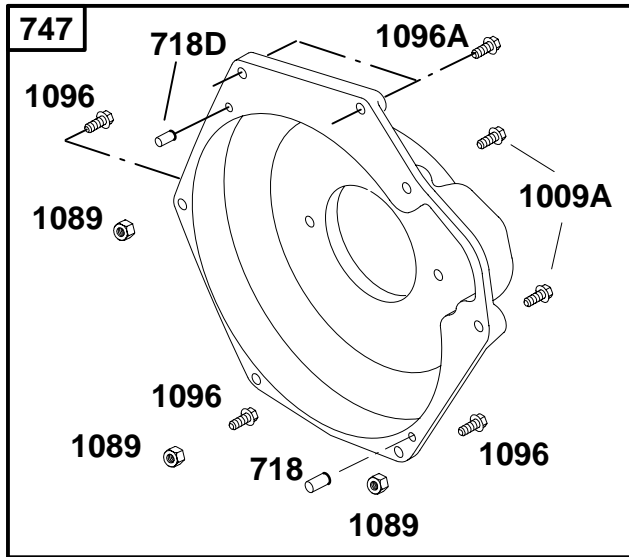
REF. NO.	PART NO.	DESCRIPTION	REF. NO.	PART NO.	DESCRIPTION	REF. NO.	PART NO.	DESCRIPTION
145	825072	Valve-Drain	532B	820303	Nut (Mounting Bracket)	1000	825103	Guard-Radiator
194	825068	Radiator	533	820034	Screw (Drain Valve)	1001	820259	Screen-Radiator
253	825428	Tank-Reserve	601C	820201	Clamp-Hose	1062	★820093	Gasket-Outlet Housing
318F	820034	Screw (Mounting Bracket)	602	820011	Nut (Drain Valve)	1064A	825267	Housing-Outlet
368	820208	Switch-Water Temperature (For Light)	734	820258	Cap-Radiator	1068C	825073	Hose/Clamp Assembly
415A	820052	Plug (Outlet Housing)	885	820636	Screw (Radiator Guard)	1068D	825296	Hose/Clamp Assembly
415C	825075	Plug (Radiator Drain)				1084E	825160	Connector-Terminal (Water Pump Switch)
493D	825106	Bracket-Mounting				1097	820287	Cap-Surge Tank
493F	825314	Bracket-Mounting				1237	825295	Hose/Cap Reserve

580400 to 580499 GAS ENGINE OPTIONS



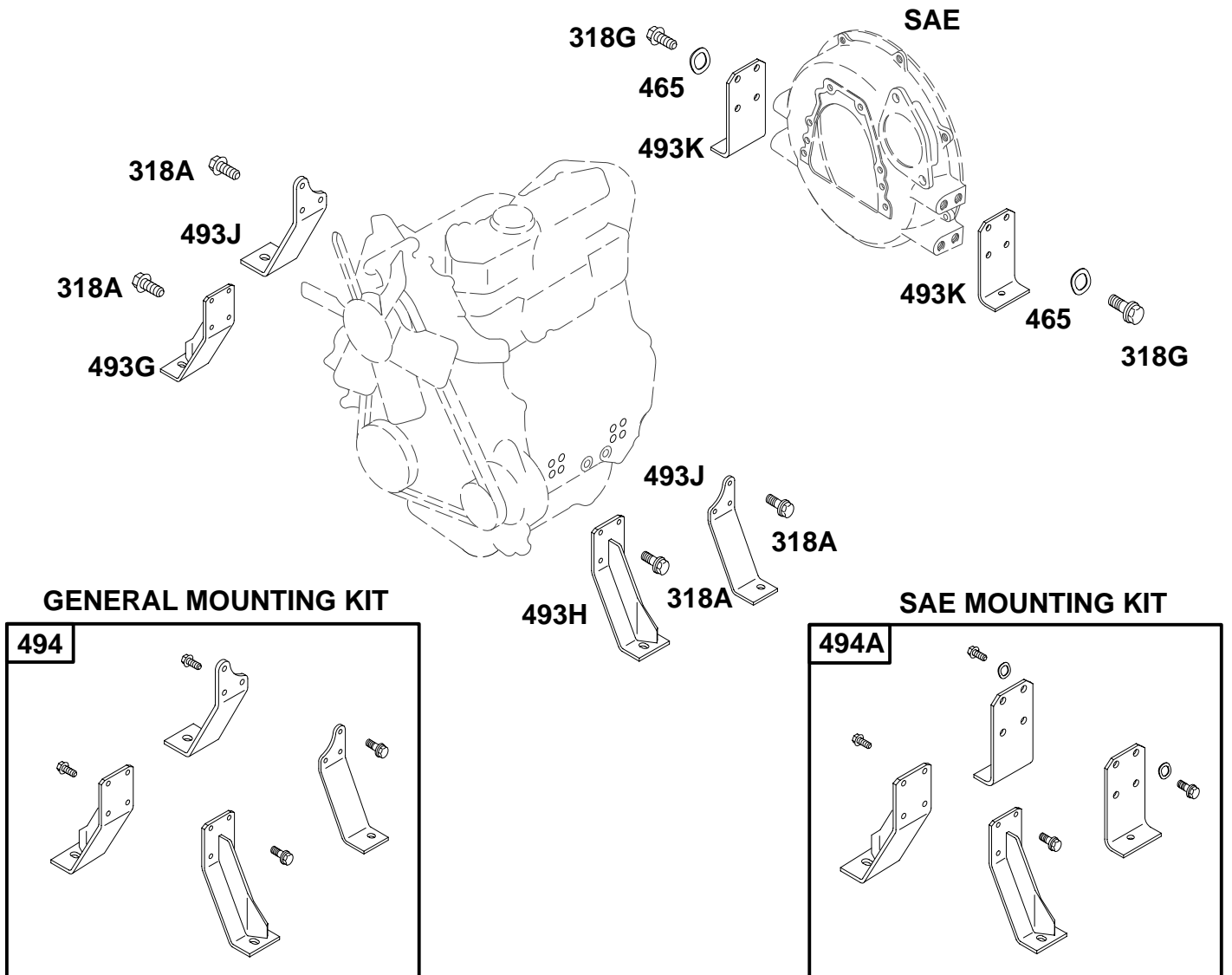
REF. NO.	PART NO.	DESCRIPTION	REF. NO.	PART NO.	DESCRIPTION	REF. NO.	PART NO.	DESCRIPTION
139	820255	Support-Radiator (Front)	885	820865	Screw (Fan Shroud) (340 mm)	1114	820070	Nut (Radiator Support)
139A	820190	Support-Radiator (Right Hand)			Note	1115	820296	Washer (Radiator Support)
139B	820191	Support-Radiator (Left Hand)			820636	820272	Screw (Radiator Support)	
140	820192	Bracket-Radiator (Right Hand)	890B	820194	Bracket-Support (Radiator)	1101	820272	Screw (Radiator Support)
140A	820193	Bracket-Radiator (Left Hand)	1068A	825134	Hose/Clamp Assembly (Outlet)	1101A	820309	Screw (Radiator Support)
140B	820294	Bracket-Radiator	1068B	825133	Hose/Clamp Assembly (Inlet)	1101B	820273	Screw (Radiator Support)
260	820863	Shroud-Fan (340 mm)				1116	820024	Screw (Radiator Bracket) (Used With Engine Mounts Only)
		Note						Note
		820220						820023
		Shroud-Fan (320 mm)						Screw (Radiator Bracket) (Used With Engine Mounts And Radiator Brackets)
601B	820256	Clamp-Hose				1116A	820174	Screw (Radiator Bracket)
652B	820452	Screw (Radiator Support)				1228	825135	Mount-Radiator
668D	820307	Spacer (Radiator Mount)						
668E	820198	Spacer (Radiator Support)						

580400 to 580499 GAS ENGINE OPTIONS



REF. NO.	PART NO.	DESCRIPTION	REF. NO.	PART NO.	DESCRIPTION	REF. NO.	PART NO.	DESCRIPTION
23A	▽ 825071	Flywheel	747	▽ 825098	Housing-Flywheel (KTR®)	1010	825079	Retainer-Bearing
323	▽ 820271	Belt-Vee (940 mm Length)			(Small Pilot, 2 Holes)	1044	820080	Screw (Flywheel)
		Note			Note	1047	▽ 825268	Shaft-Stub (1 1/8" Diameter Shaft) (3 3/4" Length)
		820893 Belt-Vee (930 mm Length)			825113 Housing-Flywheel (KTR®)			Note
477	820199	Screw (Bearing Retainer)	747A	▽ 820248	Housing-Flywheel (SAE)			825078 Shaft-Stub (1 7/16" Diameter Shaft)
519A	820032	Screw (Radiator Fan)			839A	▽ 825223	Fan-Radiator (290 mm Diameter)	825123 Shaft-Stub (1" Diameter Shaft)
		Note						825269 Shaft-Stub (1 1/8" Diameter Shaft) (4 1/5" Length)
		820030 Screw (Radiator Fan) (Used With Spacer, Ref 668)						825136 Fan-Radiator (320 mm Diameter) (Puller)
653	820079	Screw (Crankshaft Pulley)	849	820212	Screw (Stub Shaft)	1075A	820123	Pulley-Crankshaft
668B	820218	Spacer (Radiator Fan)	1009A	820265	Screw (Starter Motor)	1089	820070	Nut (Flywheel Housing)
718D	820264	Pin-Locating	1009B	820451	Screw (Starter Motor)	1096	820241	Screw (Flywheel Housing)
						1096A	820450	Screw (Flywheel Housing)

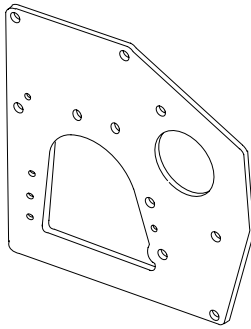
580400 to 580499 GAS ENGINE OPTIONS



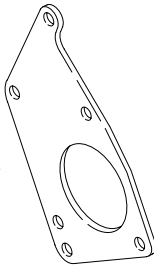
REF. NO.	PART NO.	DESCRIPTION	REF. NO.	PART NO.	DESCRIPTION	REF. NO.	PART NO.	DESCRIPTION
318A	820676	Screw (Mounting Bracket) (Used With Engine Mounts Only)	465	820449	Washer (Mounting Bracket)	494	825214	Mount-Engine (General Mounting Kit)
		Note	493G	820835	Bracket-Mounting (Front Right) (General and SAE)	494A	825215	Mount-Engine (SAE Mounting Kit)
		820023 Screw (Mounting Bracket) (Use Only When Front Engine Mounts And Radiator Brackets Are Installed)	493H	820832	Bracket-Mounting (Front Left) (General and SAE)			
318G	820306	Screw (Mounting Bracket)	493J	820833	Bracket-Mounting (Rear General)			
			493K	820834	Bracket-Mounting (Rear SAE)			

580400 to 580499 GAS ENGINE OPTIONS

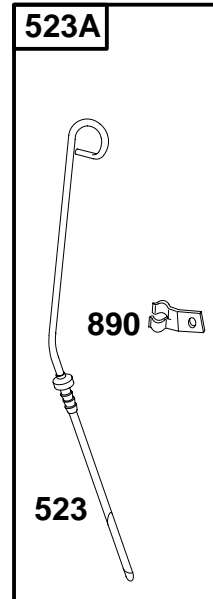
493L



493A

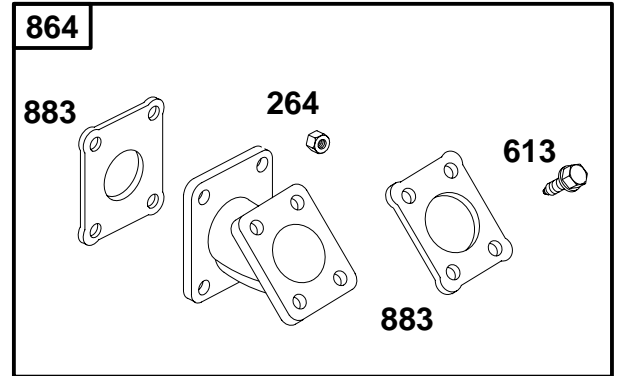
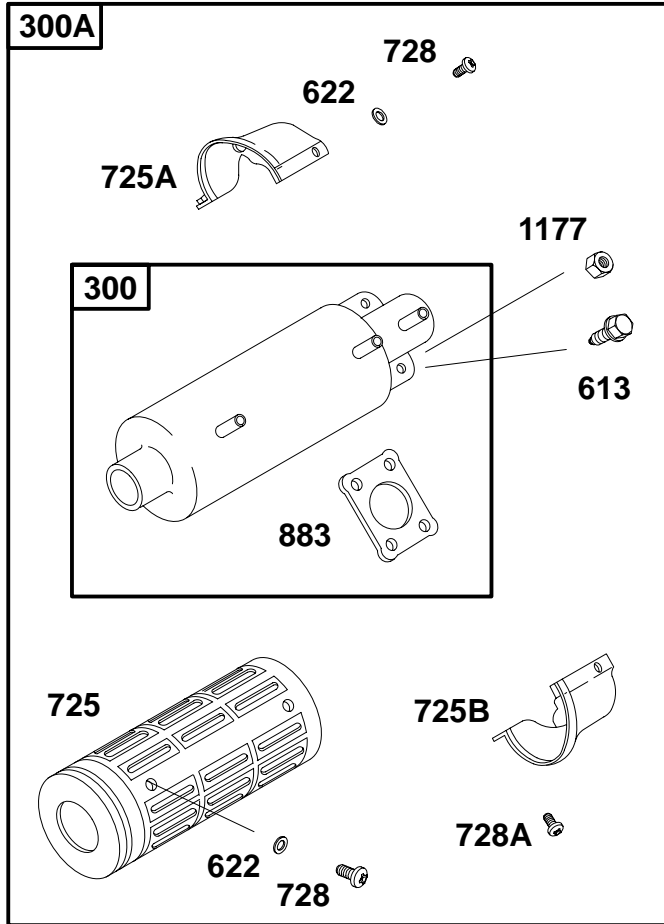


523A



REF. NO.	PART NO.	DESCRIPTION	REF. NO.	PART NO.	DESCRIPTION	REF. NO.	PART NO.	DESCRIPTION
493A	▽ 820147	Bracket-Mounting	523	820572	Dipstick (Used After Code Date 98042000). ———— Note ———— 820237 Dipstick (Used Before Code Date 98042100).	890	820238	Bracket-Support
493L	▽ 820283	Bracket-Mounting						
			523A	825287	Dipstick (Used After Code Date 98042000). ———— Note ———— 825081 Dipstick (Used Before Code Date 98042100).			

580400 to 580499 GAS ENGINE OPTIONS



REF. NO.	PART NO.	DESCRIPTION	REF. NO.	PART NO.	DESCRIPTION	REF. NO.	PART NO.	DESCRIPTION
264	820178	Nut (Muffler Adapter)	622	820631	Washer (Heat Shield)	728	820429	Screw (Heat Shield)
300	825301	Muffler	725	820628	Shield-Heat	728A	820431	Screw (Heat Shield)
300A	825200	Muffler	725A	820629	Shield-Heat	864	825358	Adapter-Muffler
613	820023	Screw (Muffler)	725B	820630	Shield-Heat	883	820670	Gasket-Exhaust
						1177	820178	Nut (Muffler)