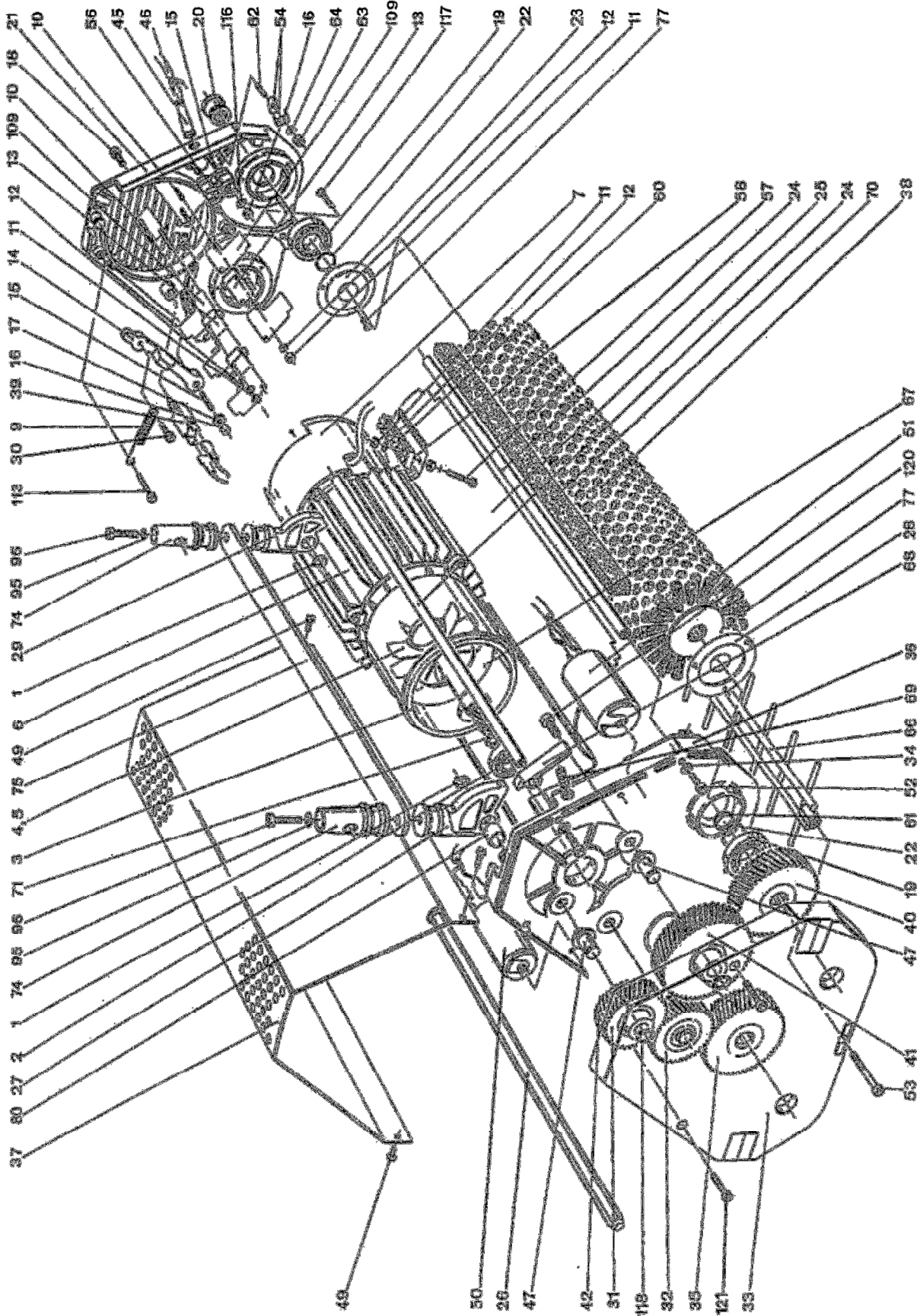


# BRUSH PRO 17 - MH 51 PARTS

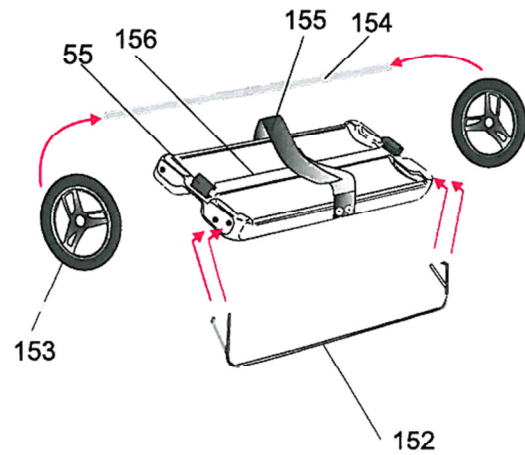
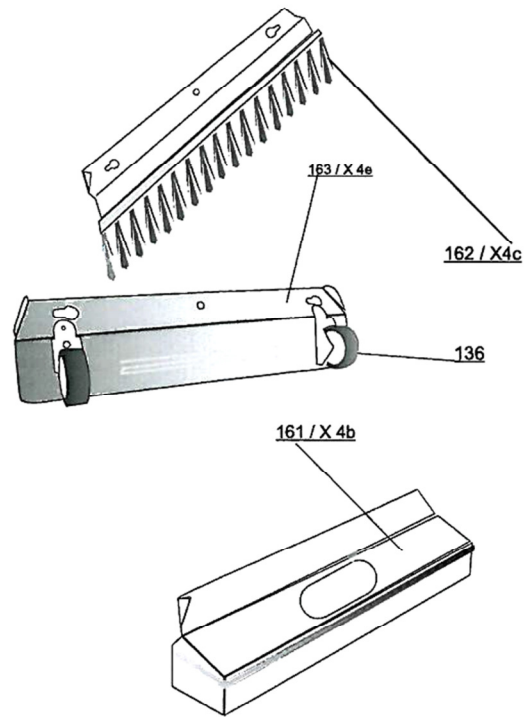
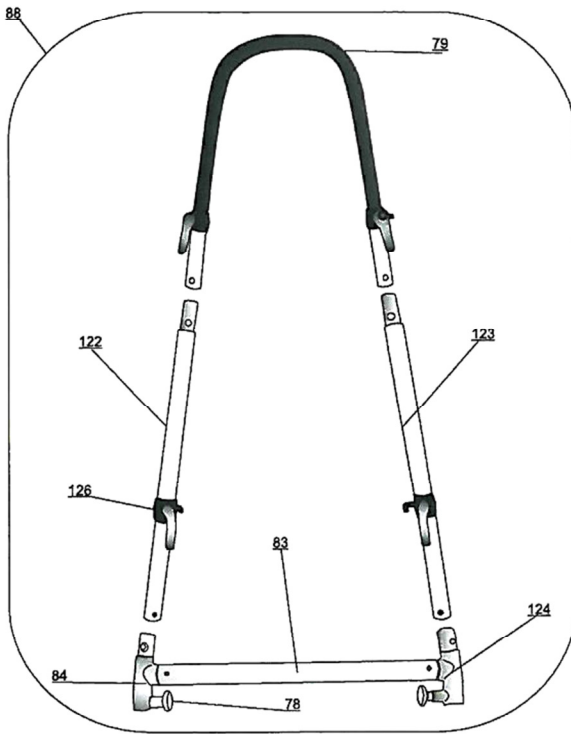


# BRUSH PRO 17 - MH51

Nr.	PART NUMBER	DESCRIPTION	Nr.	PART NUMBER	DESCRIPTION
1	NM5200	Snapring A12	54	NM5259	Clamp strip
2	NM5202	Ballbearing 6002	55	NM5261	Spring
3	NM5201	Distancepiece G	56	NM5263	Cable clamp
4	NM5203	Split pin 3 x 20 A2	57	E57	Cylinder head screw M3 x 16
5	NM5205	Ventilator	58	NM5267	Wire fixing plate
6	NM5207	Motor RFB 18/2-7PR	60	NM5269	Terminal
7	NM5209	Distancepiece E	61	NM5271	V- ring
8	NM5204	Trolley	62	NM5273	Worm screw
9	NM5211	Extension spring 10x1,2 x 64	62.1	E62.1	Castor wheel
10	NM5213	Grub screw M3 x 35	63	NM5275	Nut M4
11	NM5215	Nut M3	64	NM5277	Lock washer M4 A2
12	NM5217	Spring ring M3	66	NM5240	Cableprotector
13	NM5206	Microswitch WITH LEVER	68	NM5242	Handle stop & Handle conn
14	NM5208	Switchpart	69	NM5244	Handle stop-spring
15	NM5221	Grub screw M5 x 25	70	NM5281	Rubber seal
16	E16	Nut M5	71	NM5283	Snapring A15
17	E17	Disc M5	74	NM5287	Handle connector upper part
18	NM5227	Cylinder head screw	75	NM5289	Flatbar
19	NM5210	Ballbearing 6003 - 2RS	76	E76	Washer disc
20	NM5212	Flange	77	NM5293	Screw M3 x 5
21	NM5229	Housing unit E cpl.	78	NM5295	Snap-In
22	NM5214	Retainingring A 17	79	NM5297	Handle, upper part
23	NM5282	Protective plate	80	NM5299	Bearing
24	NM5233	Motorstud	81	E81	Rollerlever
25	NM5236	Brushcover	82	E82	Rollerleverholder
26	NM5216	Brush axle	83	NM5301	Cross bar
27	SEE#68 - NM5242	Handle connector lower part G	84	NM5303	T-piece left cpl.
29	NM5219	Handle connector lower part E	88	NM5307	Handle complet
30	NM5237	Srew M6x16	95	NM5309	Spring ring M6
31	NM5220	Gear 48 right	96	NM5311	Screw M6 x 30
32	NM5222	Gear 48 left	109	NM5313	Isolating plate
33	NM5241	Gearcover	116	NM5317	Cylinder head screw
34	NM5243	Lockwasher M 5	117	E117	Screw M5 x 12
35	NM5224	Gear 66 right	118	NM5319	Snapring A10
36	NM5245	Housing unit G cpl.	120	NM5321	Screw M6 x 16
37	NM5247	Cover	121	NM5227	Cylinder head screw
39	NM5226	Thermorelay	122	NM5323	Handle, lower part
40	NM5228	Gear 66 left	123	NM5325	Handle, lower part
41	E41	Gear 73 right	124	NM5327	Handle connector right, cpl.
42	NM5232	Ballbearing 6000	125	E125	Tension reducer
45	NM5234	Grommet	126	NM5246	Cableholder
46	NM5236	Cable	151	E151	Nut and bolt for Renovator
47	NM5249	Bearingpin	152	NM5351	Front upright
48	E48	Disc	153	NM5353	Wheel, big
49	NM5251	Cylinder head screw	154	NM5355	Axle for transport trolley
50	NM5238	Run Capacitor	155	NM5357	Belt Incl. with blind nuts
51	NM5253	Start Capacitor	156	NM5359	Tray Incl. clips
52	NM5255	Cylinder head screw M5 x 45	157	E157	Revolving wheel Incl. screws
53	E53	Screw M5 x 45	158	E158	Axle for transport trolley
			159	E159	Screw for axle

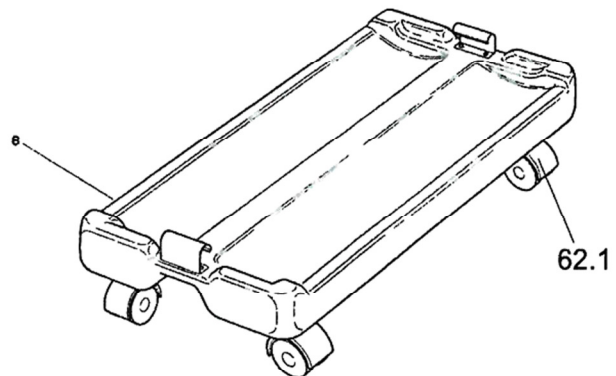
**BRUSH PRO 17 - MH51**

**transport trolley**

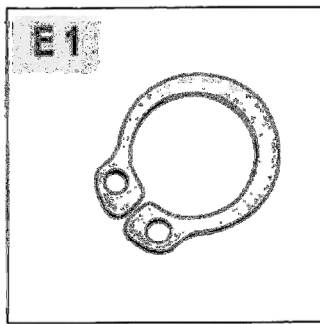


**X 4d** **Neue Version**  
**New version**

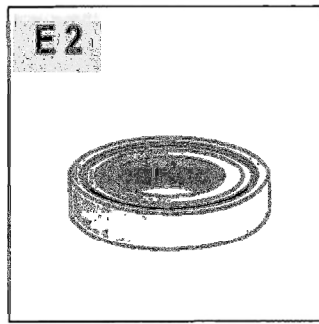
**E 8** **Alte Version**  
**Old version**



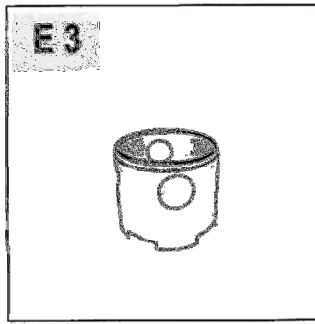
# BRUSH PRO 17 - MH51 PARTS



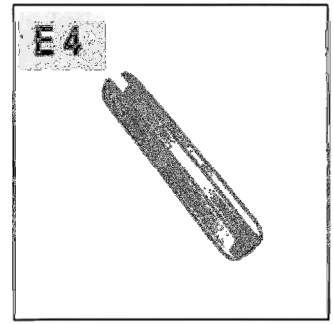
**NM5200**  
Spring A.12



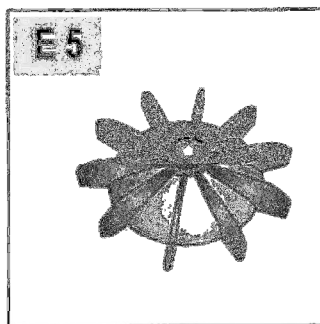
**NM5202**  
Ballbearing



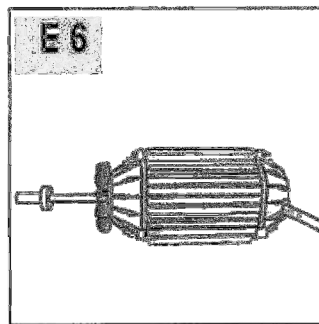
**NM5201**  
Distancepiece G



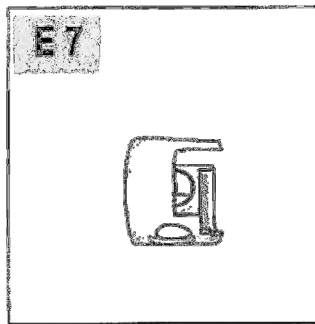
**NM5203**  
Split pin 3 x 20 A2



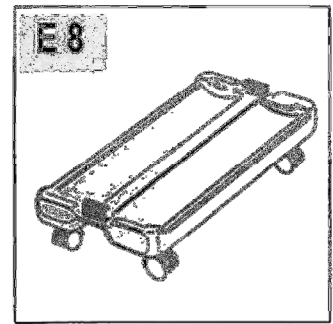
**NM5205**  
Ventilator



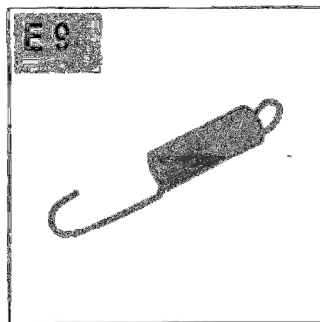
**NM5207**  
Motor RBF 0,18/2.7PR



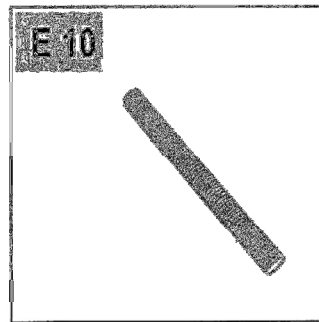
**NM5209**  
Distancepiece E



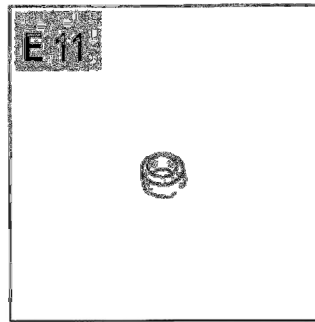
**NM5204**  
Trolley



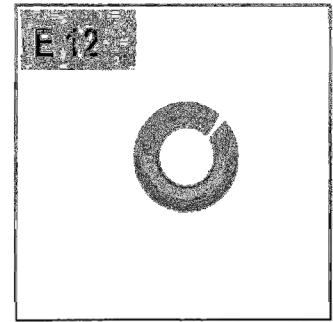
**NM5211**  
Extension spring 10x 1,2 x 64



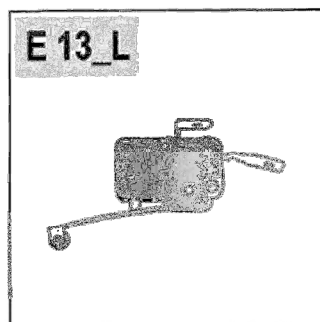
**NM5213**  
Worm screw M3 x 35



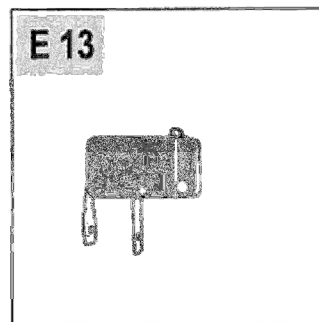
**NM5215**  
Nut M3



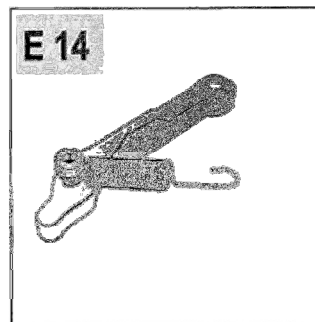
**NM5217**  
Spring Ring M3



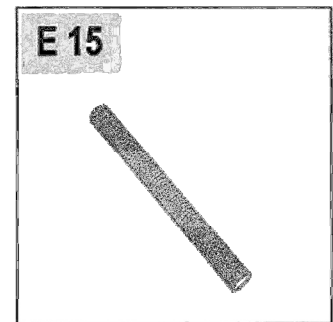
**NM5206**  
Microswitch incl. lever



Microschalter  
Microswitch

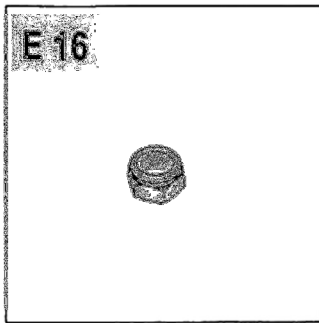


**NM5208**  
Switchpart cpl.

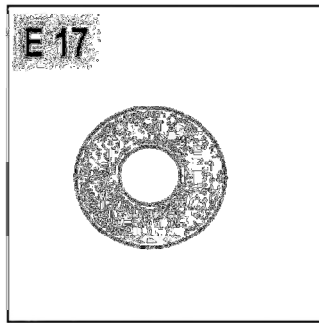


**NM5221**  
Worm screw M5 x 25

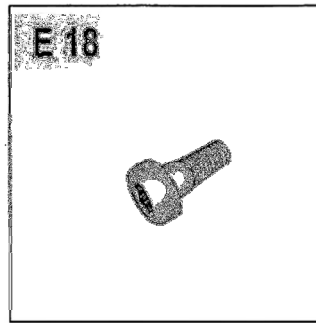
# BRUSH PRO 17 - MH51 PARTS



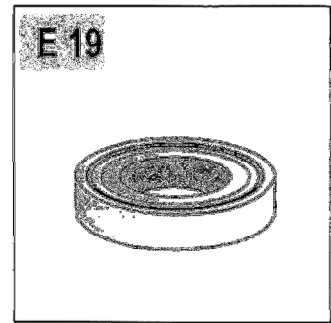
Nut M5



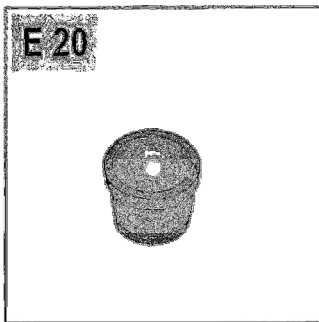
Washer M5



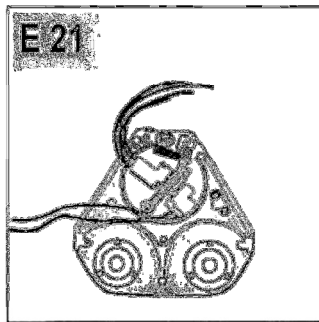
NM5227  
Cylinder head screw M5 x 12



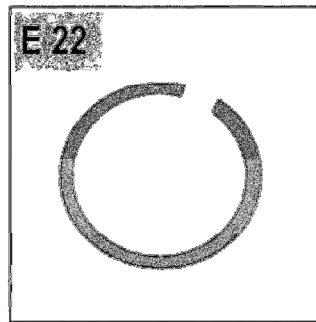
NM5210  
Ballbearing



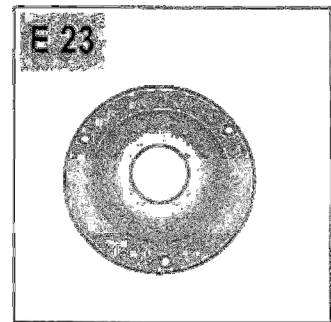
NM5212  
Flange



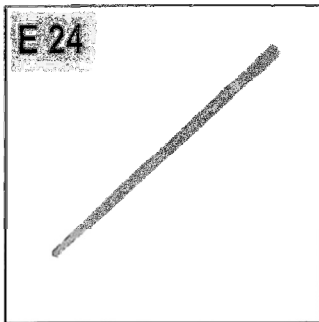
NM5229  
Housing unit E complet



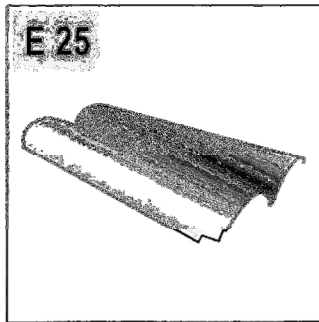
NM5214  
Retaining ring A/17



NM5282  
Protective plat



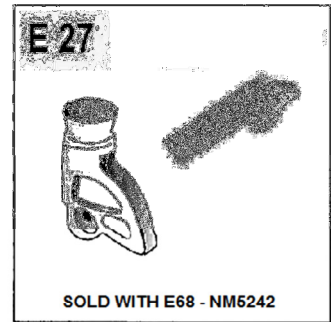
NM5233  
Motorstud



NM5236  
Brushcover

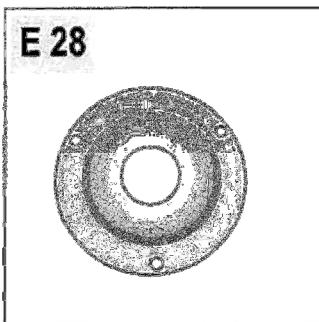


NM5216  
Brush axle

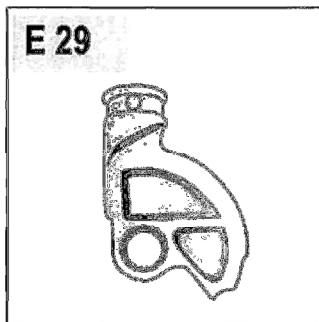


SOLD WITH E68 - NM5242

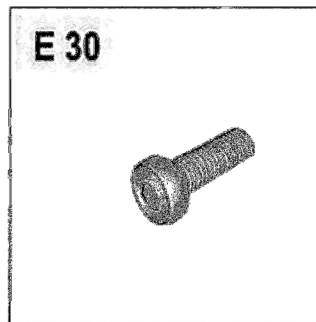
NM5242  
Handle connector lower part G



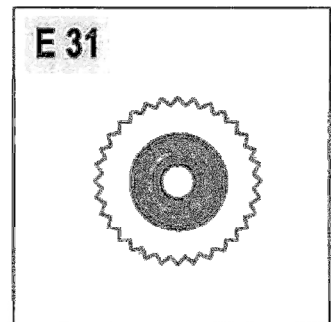
Protective plat



NM5219  
Handle connector lower part E

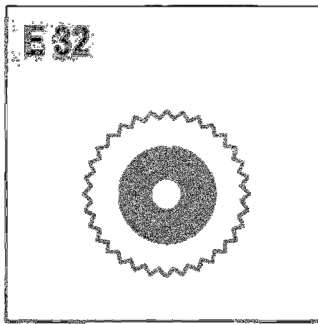


NM5237  
Srew M6 x 16

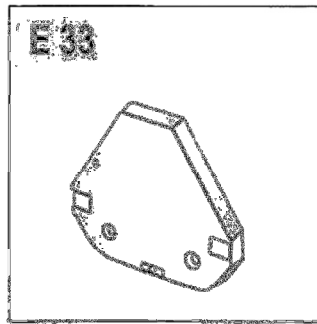


NM5220  
Gear 48 right

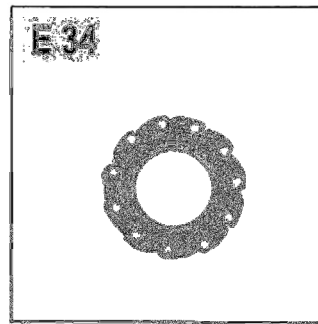
# BRUSH PRO 17 - MH51 PARTS



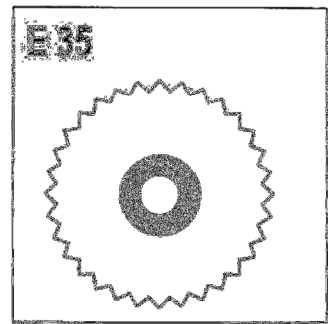
**NM5222**  
Gear 48 left



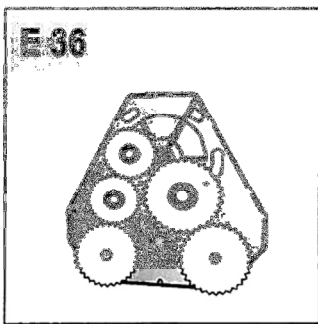
**NM5241**  
Gearcover



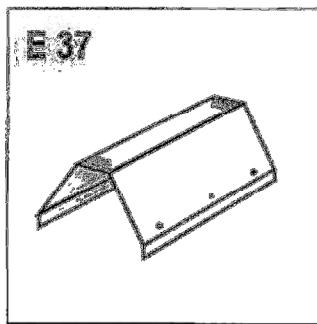
**NM5243**  
Lock washer M5



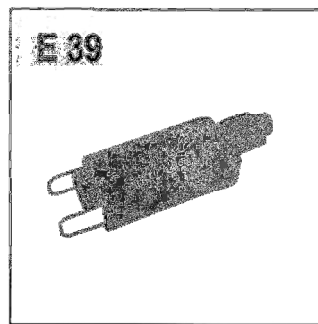
**NM5224**  
Gear 66 right



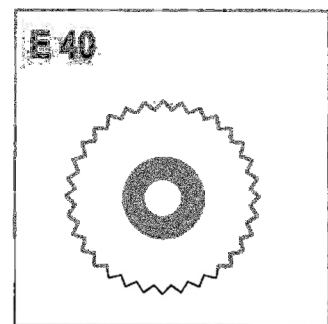
**NM5245**  
Housing unit G complete



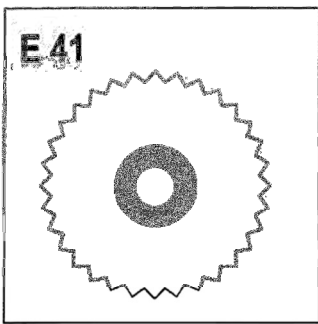
**NM5247**  
Motorcover



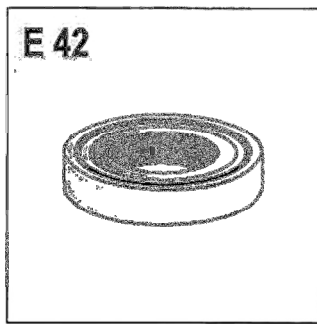
**NM5226**  
Thermorelay



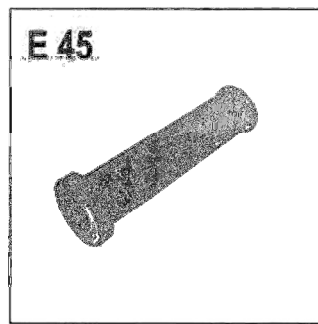
**NM5228**  
Gear 66 left



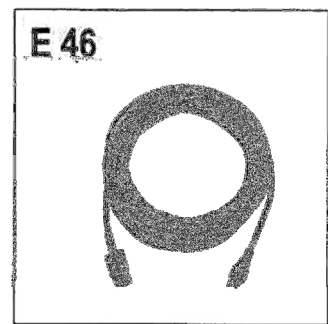
Gear 73 right



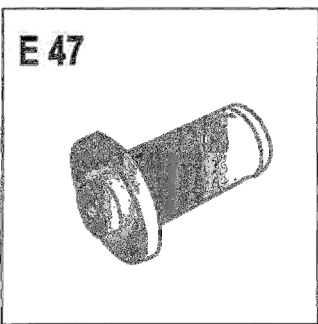
**NM5232**  
Ballbearing



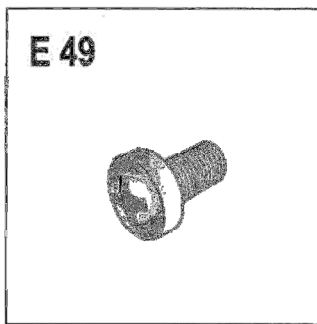
**NM5234**  
Grommet



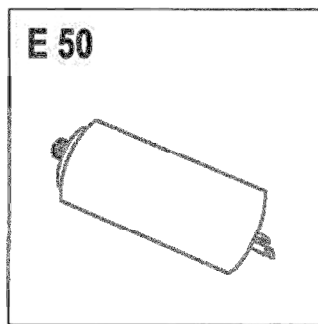
**NM5236**  
Cable



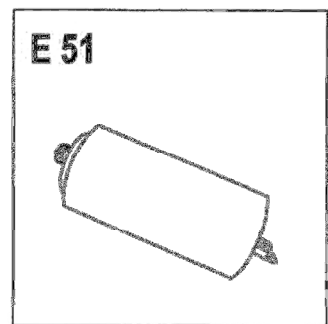
**NM5249**  
Bearing pin



**NM5251**  
Cylinder head screw

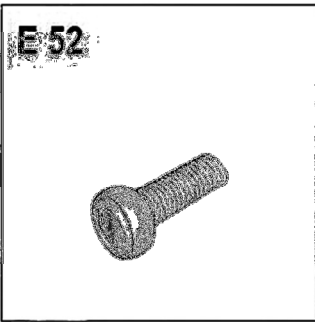


**NM5238**  
Run Capacitor

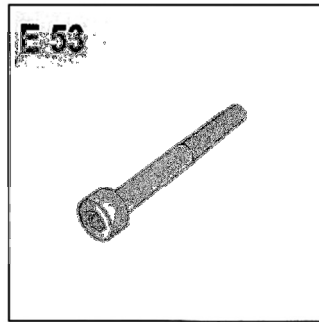


**NM5253**  
Start Capacitor

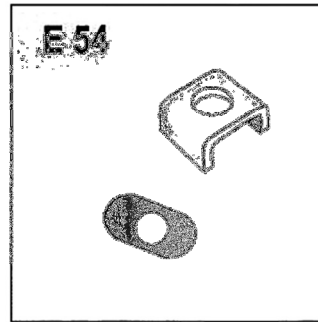
# BRUSH PRO 17 - MH51 PARTS



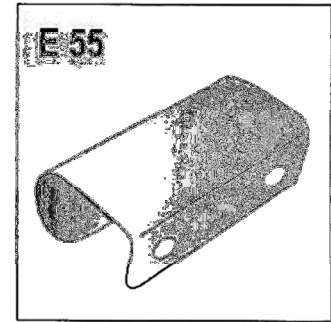
**NM5255**  
Cylinder head screw M5 x 12



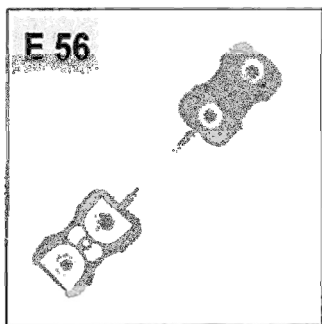
Screw M5 x 45



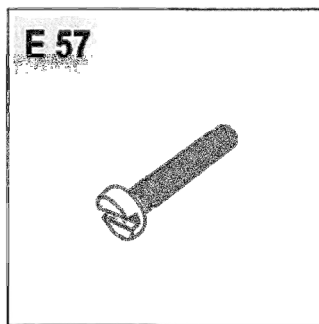
**NM5259**  
Clamp strip



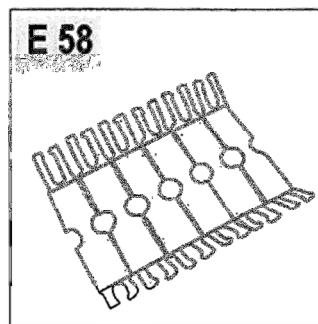
**NM5261**  
Fixing spring for trolley



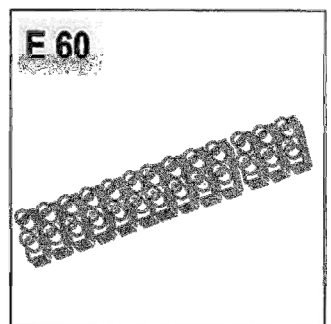
**NM5263**  
Cable clamp



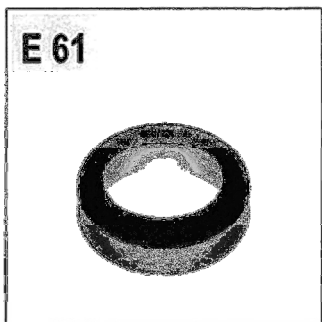
Cylinder head screw M3 x 16



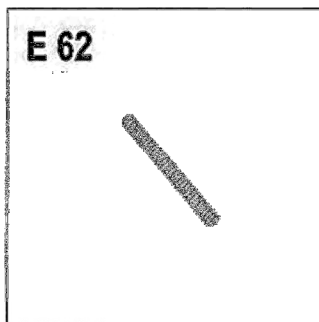
**NM5267**  
Wire fixing plate



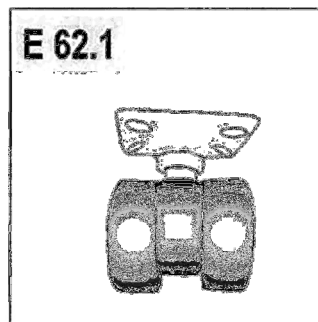
**NM5269**  
Terminal



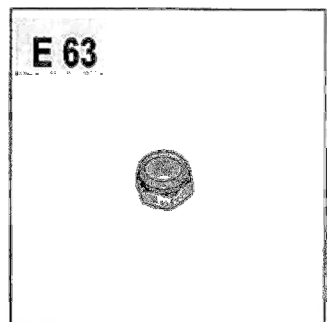
**NM5271**  
V-ring



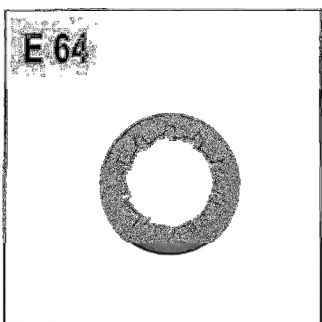
**NM5273**  
Worm screw



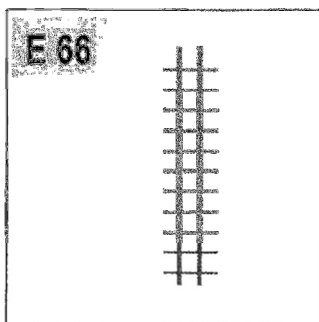
Wheel for trolley



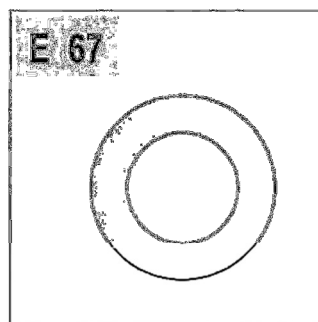
**NM5275**  
Nut M4



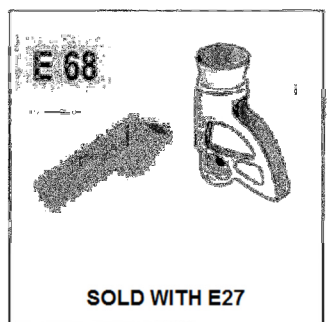
**NM5277**  
Lock washer M4 A2



**NM5240**  
Cable protector



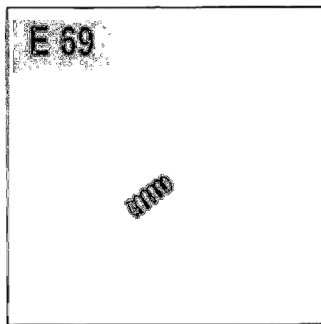
Blind



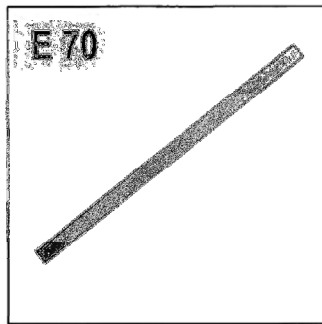
SOLD WITH E27

**NM5242**  
Handle stop

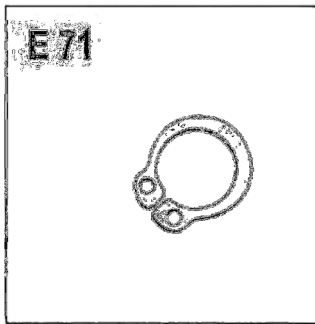
# BRUSH PRO 17 - MH51 PARTS



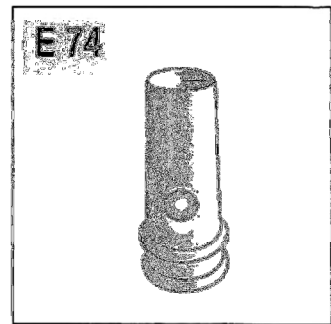
**NM5244**  
Handle stop - spring



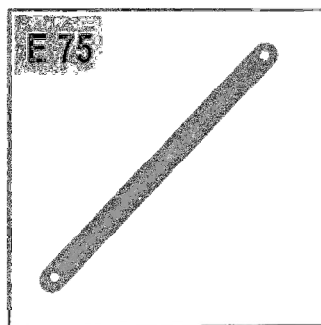
**NM5281**  
Foamed plastic strip



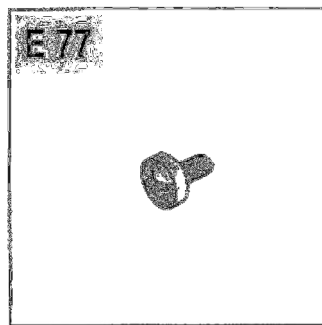
**NM5283**  
Snapping A 15



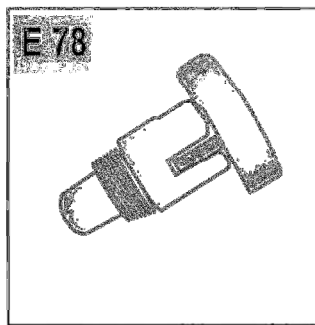
**NM5287**  
Handle connector upper part



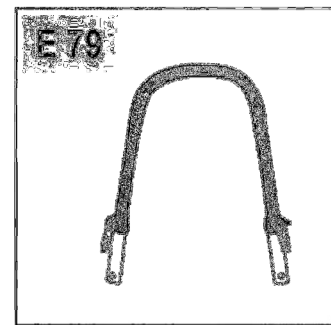
**NM5289**  
Flatbar



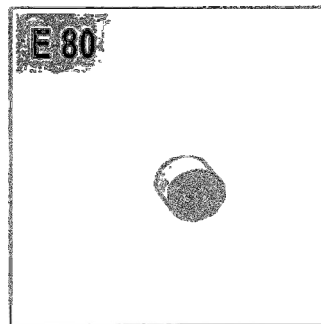
**NM5293**  
Screw M3 x 5



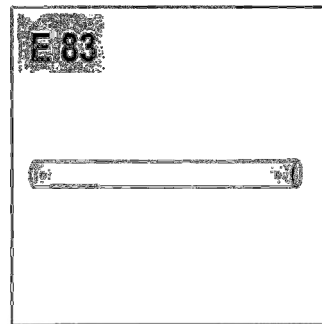
**NM5295**  
Snap-in



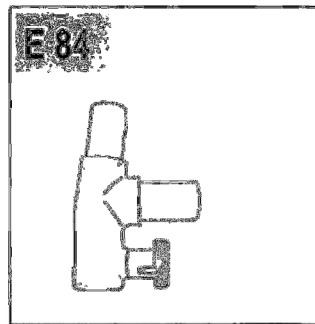
**NM5297**  
Handle upper part



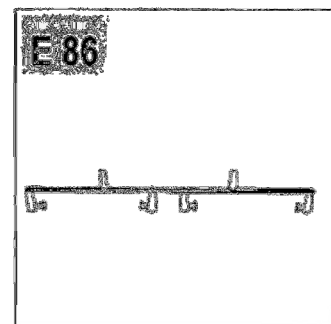
**NM5299**  
Bearing



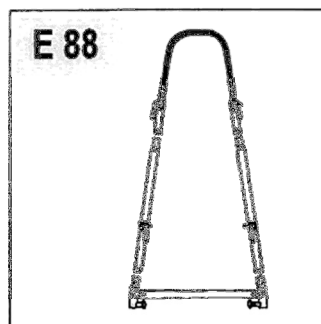
**NM5301**  
Cross bar



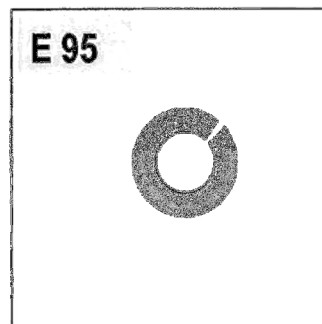
**NM5303**  
T-piece left



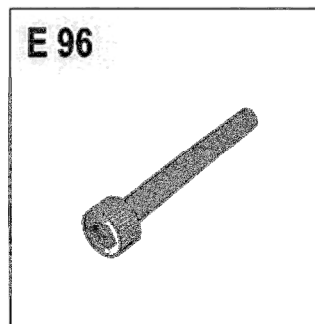
Tandem bar



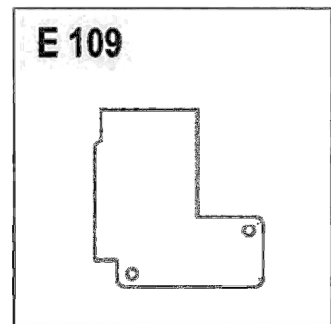
**NM5307**  
Handle complete



**NM5309**  
Spring Ring



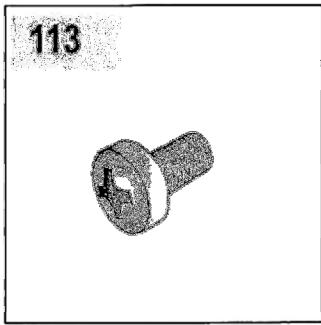
**NM5311**  
Screw M6 x 30



**NM5313**  
Isolating plate

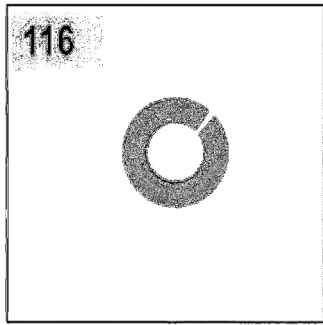


# BRUSH PRO 17 - MH51 PARTS



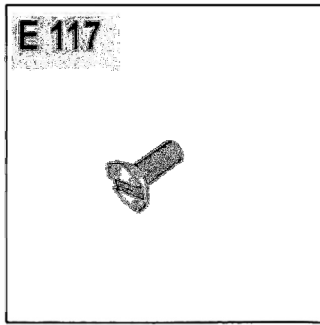
113

Cylinder head screw M6 x 16



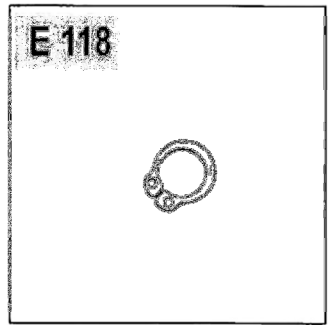
116

NM5317  
Spring Ring



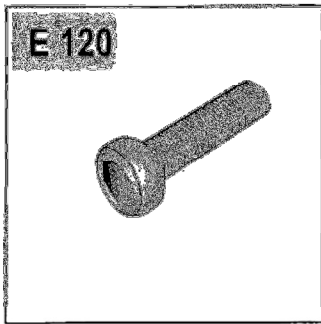
E 117

Screw M5 x 12



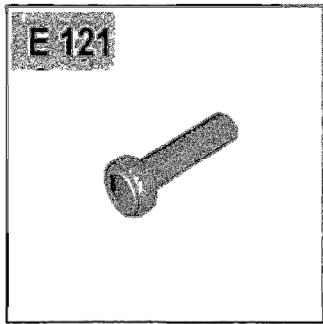
E 118

NM5319  
Spring A10



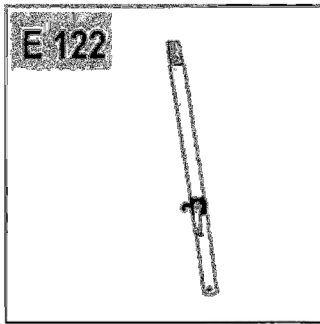
E 120

NM5321  
Screw M6 x 16



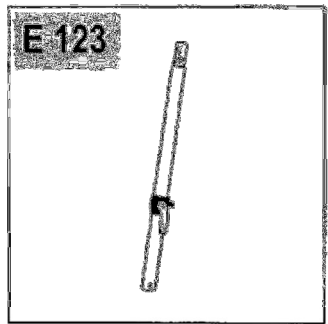
E 121

NM5227  
Cylinder head screw M5 x 12



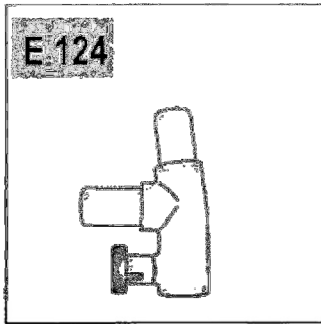
E 122

NM5323  
Handle, lower part left



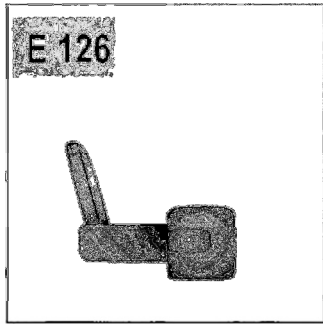
E 123

NM5325  
Handle, lower part right



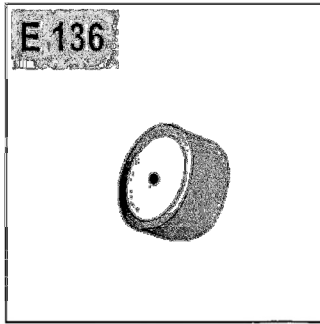
E 124

NM5327  
T-piece right



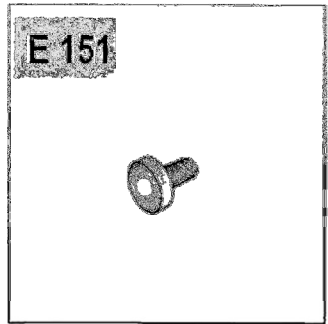
E 126

NM5246  
Cable holder



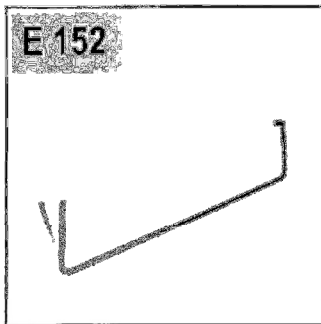
E 136

NM5347  
Wheel for brush cover



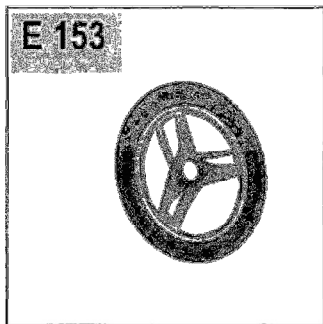
E 151

Bolt for Renovator



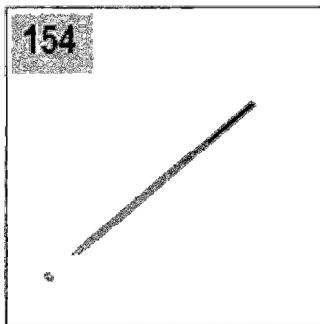
E 152

NM5351  
Front upright



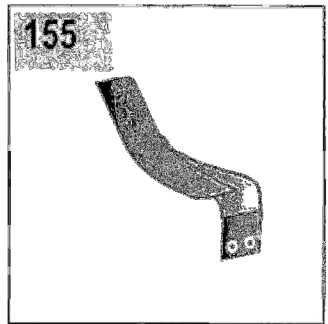
E 153

NM5353  
Wheel Trolley



154

NM5355  
Axel



155

NM5357  
Belt

## BRUSH PRO 17 - MH51 PARTS

---

**E156**



**NM5359**

Tray incl. clips and belt

**E157**



Revolving Wheel with Screws

**E158**



Axle for Transport Trolley

**E159**



Screw for Axle