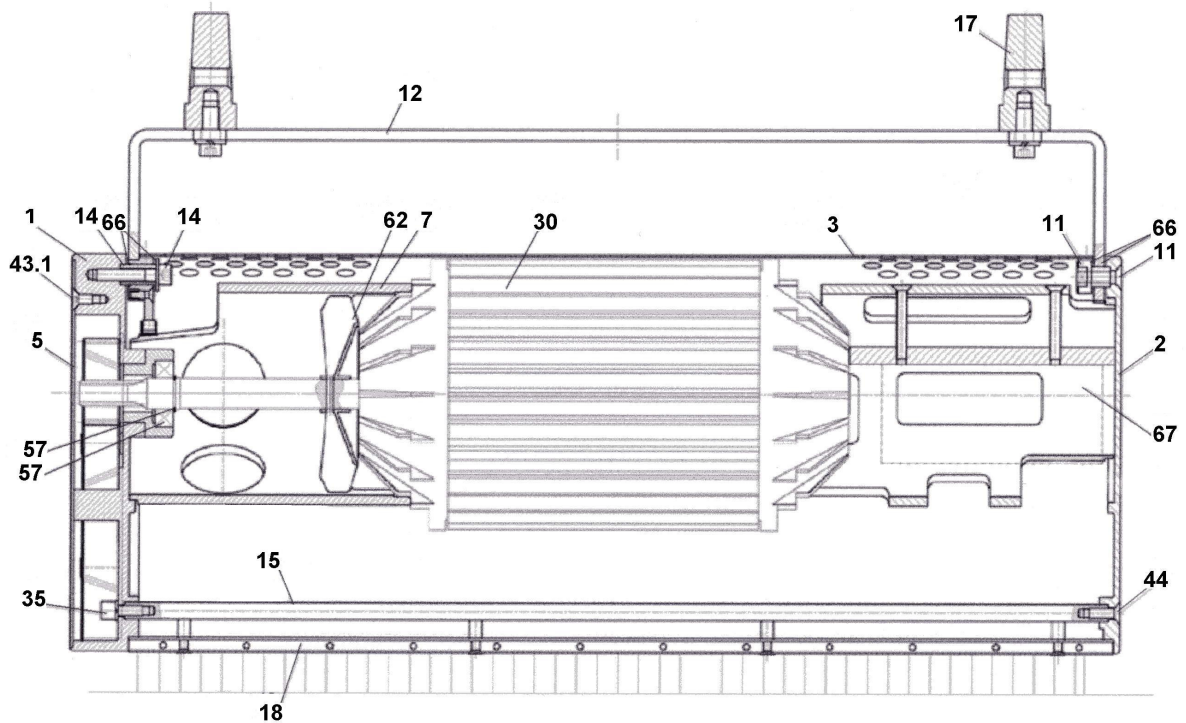
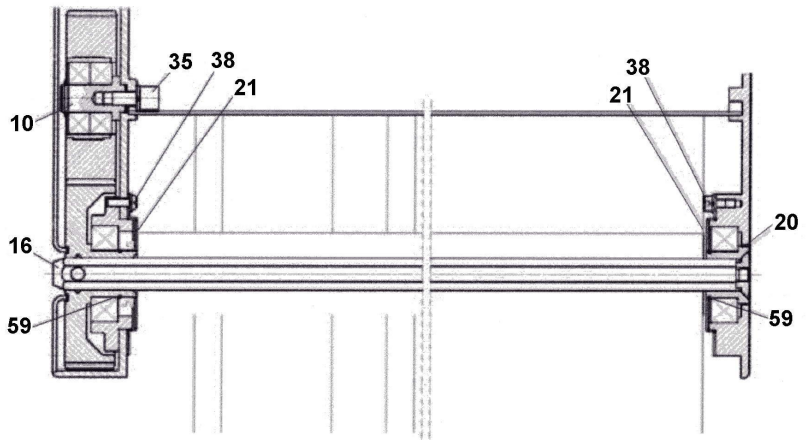
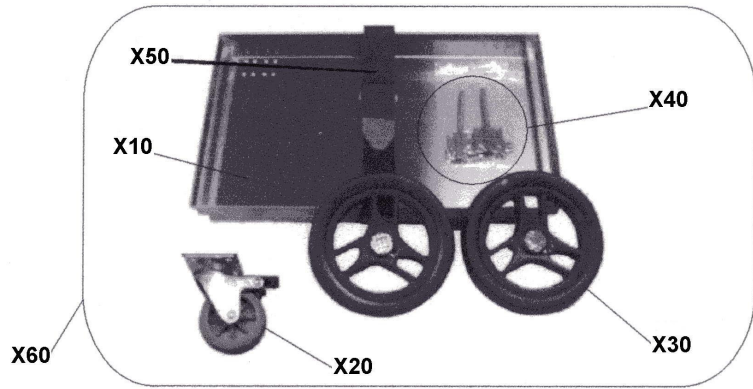
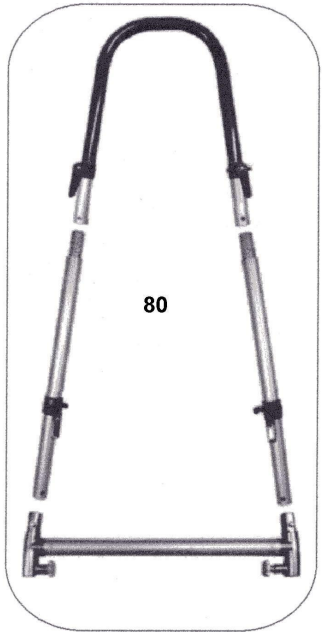
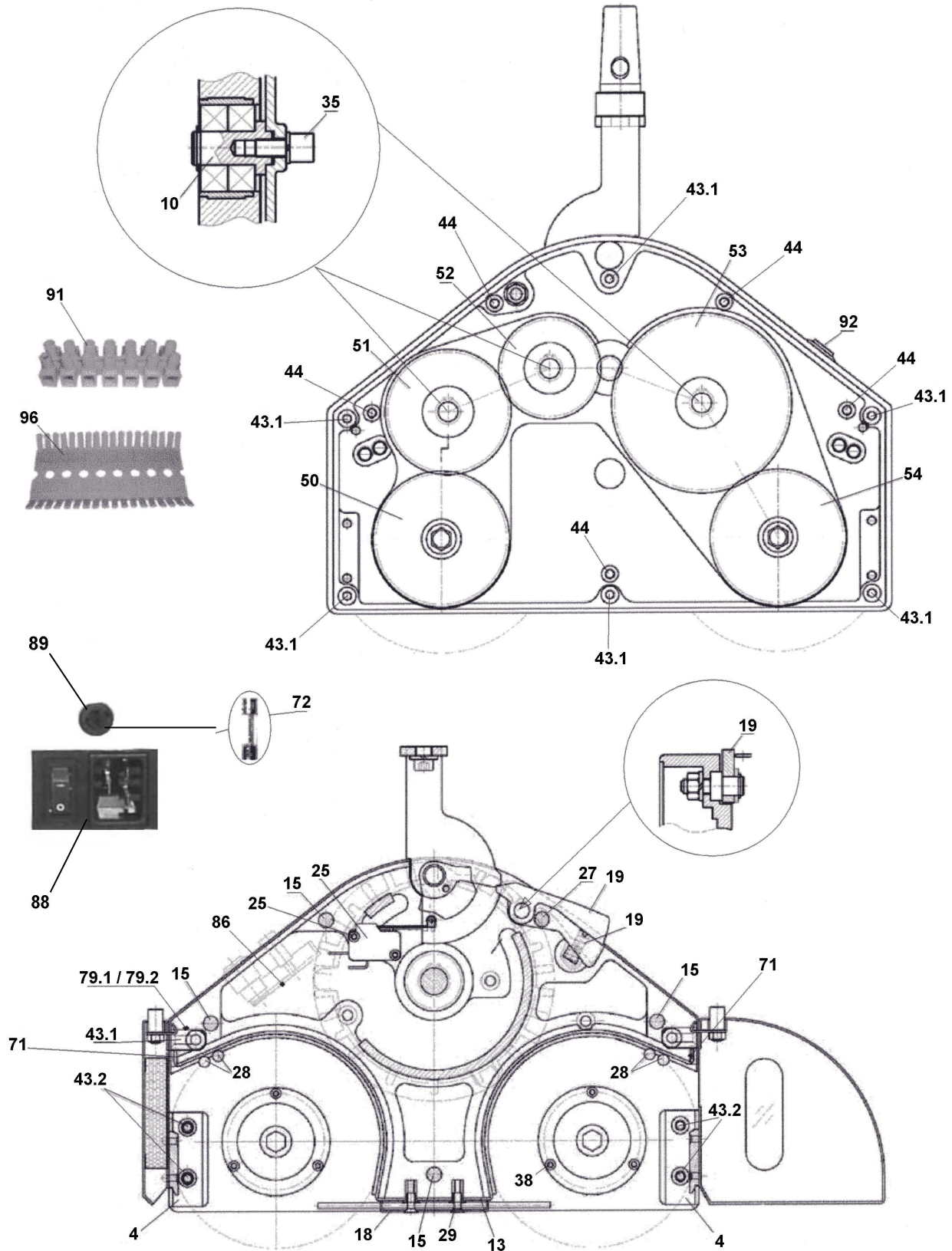


BRUSH PRO 20 REPLACEMENT PARTS



BRUSH PRO 20 REPLACEMENT PARTS



BRUSH PRO 20 REPLACEMENT PARTS

LIST #	PART NUMBER	DESCRIPTION
1	NM5248	GEAR PLATE COMPLETE – WITHOUT GEARS
2	NM5250	SIDE PLATE COMPLETE
3	NM5252	MACHINE COVER W/ SWITCHES, CONDUCTOR BOARD AND POWER INLET MODULE
4	NM5254	RENOVATOR MOUNTING SHEETS
5	NM5256	GEAR COVER
7	NM5256	MOTOR SHAFT CASE
10	NM5260	BEARING SHAFT W/ SET SCREW & LOCK RING
11	NM5262	HANDLE AXLE RIGHT SIDE W/ SCREW
12	NM5264	HANDLE HOLDER W/ CAMSHAFT
13	NM5266	BRUSH COVER
14	NM5268	BUSHING HANDLE AXLE RIGHT SIDE W/ SCREW & DISK
15	NM5270	TENSION ROD 15”
16	NM5272	BRUSH AXLE
17	NM5274	HANDLE MOUNTING CONES
18	NM5276	CABLE PROTECTOR
19	NM5278	HANDLE STOP W/ BOLT, NUT, SPRING, LOCK RING & DISK
20	NM5280	FLANGE FOR BEARING NUT W/ LOCK RING
21	NM5282	BEARING COVER
25	NM5284	MICROSWITCH W/ SET SCREW
27	NM5286	TENSION ROD 27”
28	NM5288	COMPOUND ACCELERATOR ROD W/ 2 SET SCREWS
29	NM5290	SCREW FOR CABLE PROTECTOR
30	NM5292	MOTOR W/ FAN AND BEARING
35	NM5294	SCREW FOR BEARING SHAFT
38	NM5296	SCREW FOR BEARING COVER
43.1	NM5298	SCREW FOR MACHINE COVER & GEAR COVER
43.2	NM5300	SCREW FOR RENOVATOR MOUNTING SHEET
44	NM5302	SET SCREW FOR TENSION RODS
50	NM5304	GEAR 62 LEFT W/ BEARING
51	NM5306	GEAR 57 W/ BEARING
52	NM5308	GEAR 42 W/ BEARING
53	NM5310	GEAR 83 W/ BEARING
54	NM5312	GEAR 62 RIGHT W/ BEARING
57	NM5314	BEARING FOR MOTOR SHAFT W/ LOCK RING
59	NM5316	SNAP RING FOR GEAR 62
62	NM5318	VENTILATOR
66	NM5320	WASHER POLYAMID
67	NM5322	FREQUENCY CONVERTER W/ MOUNTING PLATE & HOUSING
71	NM5324	SEALING STRIP

BRUSH PRO 20 REPLACEMENT PARTS

LIST #	PART NUMBER	DESCRIPTION
72		FUSE
76	NM5326	POWER CORD W/ PLUG
79.1	NM5328	MOUNTING BLOCK SET FOR GEAR PLATE
79.2	NM5330	MOUNTING BLOCK SET FOR SIDE PLATE
80	NM5332	HANDLE COMPLETE
86	NM5334	CONDUCTOR BOARD
88	NM5336	POWER INLET MODULE
89	NM5338	FUSE HOLDER W/ FUSE
91	S91	TERMINAL BLOCK
92	S92	SWITCH PUSHBUTTON
96	S96	WIRE FIXING PLATE
X10	SX10	TRAY ONLY - TRANSPORT TROLLEY
X20	NM5340	CASTER ONLY - TRANSPORT TROLLEY
X30	NM5342	WHEEL ONLY - TRANSPORT TROLLY
X40	SX40	AXLE ASSEMBLY W/ SCREWS - TRANSPORT TROLLEY
X50	NM5344	VELCRO STRAP ONLY – TRANSPORT TROLLEY
X60	NM5346	TRANSPORT TROLLEY ASSEMBLY - COMPLETE
	NM5350	DIRT RECEPTACLES BRUSH PRO 20 – SET OF TWO
	NM5352	BRUSH COVERS BRUSH PRO 20 – SET OF TWO
	NM5354	ACCESSORY HOLDER BRUSH PRO 20