

Unimover Hand Truck Assembly Instructions

NOTICE

For Dri-Eaz products only.

Max. 4 units or 200 lbs.

Not designed for general use.

Lifting other items can damage hand truck.

Engage handle latch before moving stacked units.

Stack units interlocked for stability.

Assembly instructions

If your Unimover hand truck is not assembled, follow the instructions below to ensure proper assembly and user safety.

Parts included:

- 12 - 1/4" washers
- 12 - 1/4"-20 x 3/4" bolts
- 12 - 1/4"-20 locknuts
- 2 - 1/2"-13 locknuts
- 2 - 1/2" washers
- Axle
- 2 wheels
- 2 black plastic dust caps
- Top section - hand truck frame
- Bottom section - hand truck frame

Tools needed for assembly:

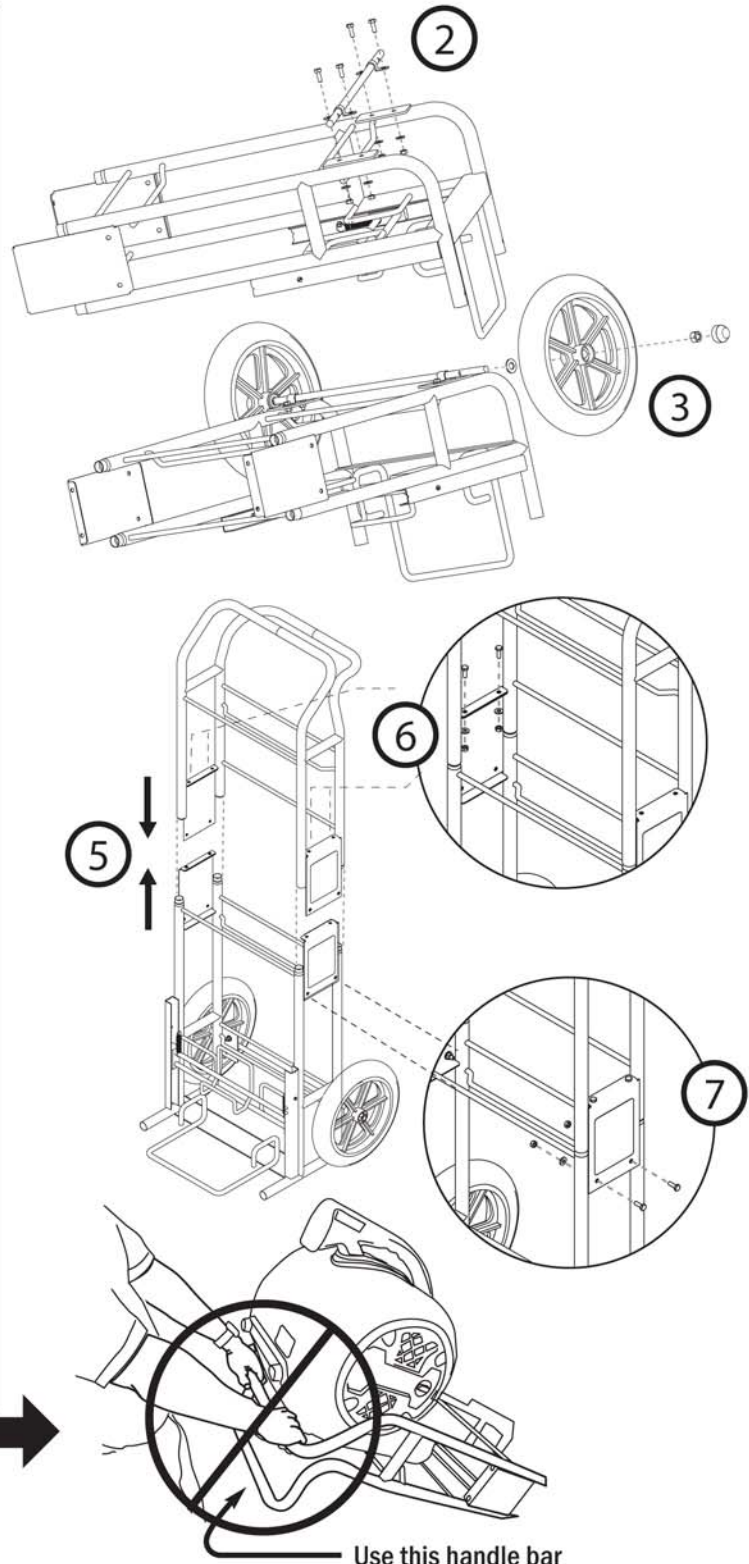
- Two 7/16" wrenches
- Ratchet + 3/4" socket

Steps for assembly:

1. Lay bottom section face down.
2. **Attach the axle**, placing 4 bolts, 4 - 1/4" washers and 4 - 1/4"-20 locknuts in axle on mounting plates in lower back. Tighten securely with wrenches.
3. **Attach wheels on end of axle** using 2 - 1/2" washers and 2 - 1/2"-13 locknuts. Tighten until secure using 3/4" socket (wheel should spin freely with no play). Snap black plastic dust caps on to the end.
4. Stand bottom section of frame upright.
5. **Place top section on bottom section, lining up holes.**
6. Use 4 - 1/4" bolts, washers and locknuts to **bolt top horizontal flanges together.**
7. Use remaining 4 - 1/4" bolts to **secure bottom vertical plates together.** Tighten securely with wrench

WARNING!

When tipping hand truck back, airmovers could shift against top support bar and pinch fingers. Always use handle bar (the one closest to you) when tipping hand truck.



Use this handle bar