

# Studebaker - Airpath Carpet Dryer

F377, F377-SM, F377-SP, F377-PR, F377-BUR, F377-YEL

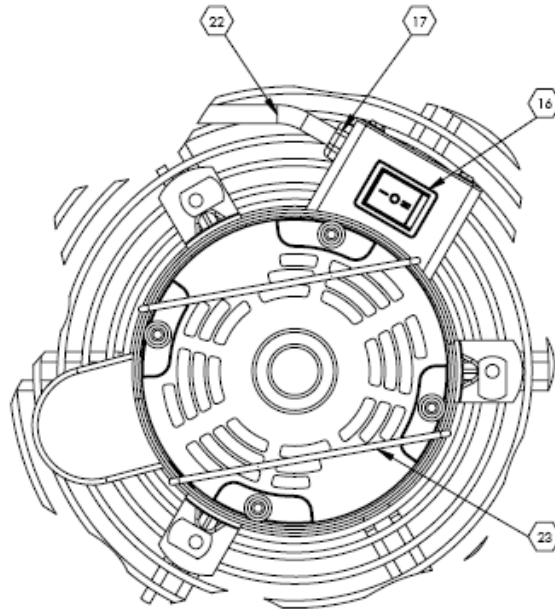
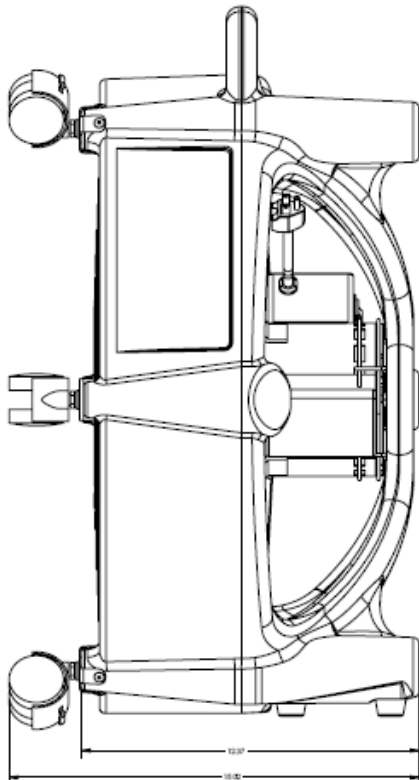
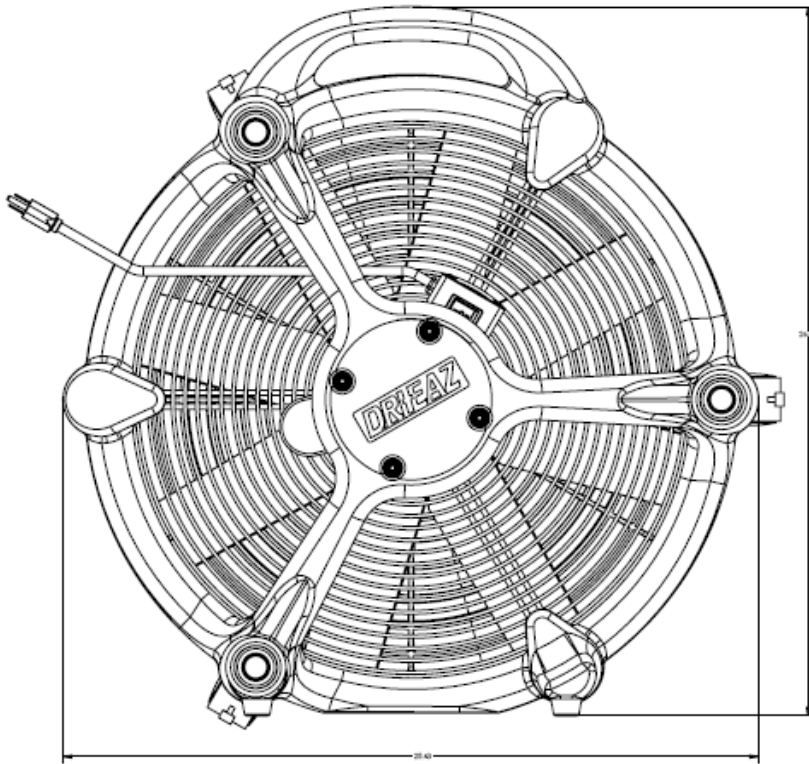
## Symbol Definition

- \* - multiple components to choose from for different models: voltage, size, color, etc.
- + - if you order this item, you may need to order additional items marked with same number of +'s in order to upgrade or complete repair

Find #	Part Description	Part #	Measure	Qty
17	STRAIN RELIEF - SNAP .360 DIA BLK	02-00218	Ea.	1
19	MOTOR ASSY - 115V 1HP 1625 RPM 2 SPD AIRPATH	02-01546	Ea.	1
16	SWITCH - SWITCH ROCKER DPDT 1.5 HP RED	02-01548	Ea.	1
7	WASHER - 1/4 RIVET .26 ID X .62 OD X .06 ZP	03-00001	Ea.	9
12	WASHER - 3/16 RIVET .19 ID X .47 OD X .05 ZP	03-00013	Ea.	8
13	NUT - 8-32 NYLOC THIN ZP	03-00015	Ea.	4
31	WASHER - 5/16 SAE .344 ID X .688 OD X .065 ZP	03-00062	Ea.	3
30	WASHER - 5/16 LOCK ZP	03-00063	Ea.	3
9	FOOT - ROUND 3/16 ID X 1.25 OD X 5/8 RUBBER BLK	03-00131	Ea.	2
10	RIVET - 3/16 X 5/8 TRI FOLD AL/AL	03-00204	Ea.	2
8	SCREW - 1/4-20 X 3/4 SER HWH NYLOC ZP	03-00205	Ea.	9
32	RIVET - 3/16 X 3/8 TRI FOLD AL/AL	03-00207	Ea.	12
14	SCREW - #6 x 3/4 PH ZP	03-00215	Ea.	6
15	PLUG - HOLE .75 DIA x .250 NYLON BLACK	03-01573	Ea.	4
	NUT - 5/16-1/ x .150 HEXSERT ZP STL	03-01584	Ea.	3
20	GRILL - INLET PC GL BLK F377	04-01460	Ea.	1
18	POLYPROPYLENE	04-01463	Ea.	1
	HOUSING - POLYETHYLENE FISHER BLUE AIRPATH	04-01464	Ea.	1
29	CASTER - 50MM DIA X 5/16 X 18 STEM DUAL WHEEL WITH LOCK	04-01465	Ea.	3
21	GRILL - OUTLET	04-01466	Ea.	1
23	SHIELD - VENT OPENING PC GL BLK F377	04-01467	Ea.	1
27	BRACKET - CASTER MOUNTING SS STUDEBAKER AIRPATH	04-01468	Ea.	3
24	LABEL - PRODUCT AIRPATH STUDEBAKER (F377)	07-01593	Ea.	1
	PACKAGING ASSY - AIRPATH	07-01603	Ea.	1
22	POWER CORD ASSY - 16/3 SJTW 5-15P 25 FT SAHARA 1/ VORTEX	09-00046	Ea.	1

# Airpath Pictorial Drawing

REAR VIEW



SWITCH ORIENTATION DETAIL

