

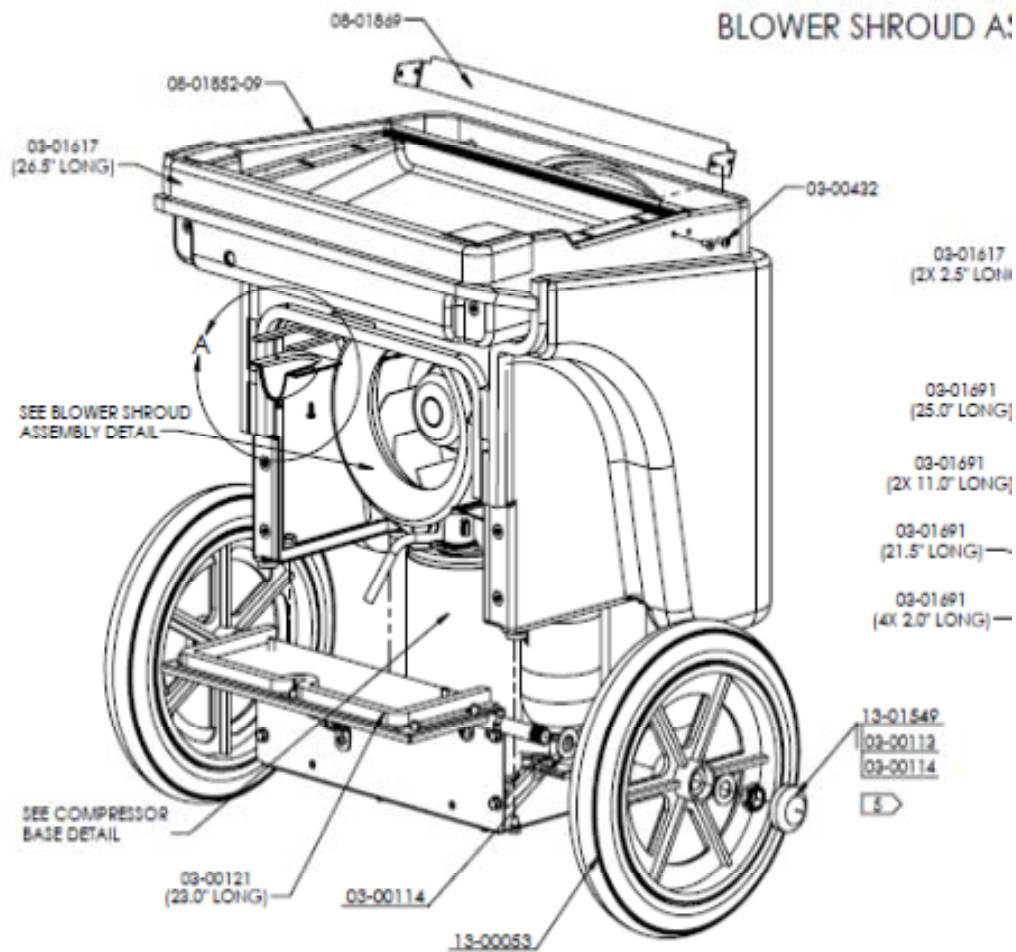
LGR 7000XLi Dehumidifier

F412 Revision B

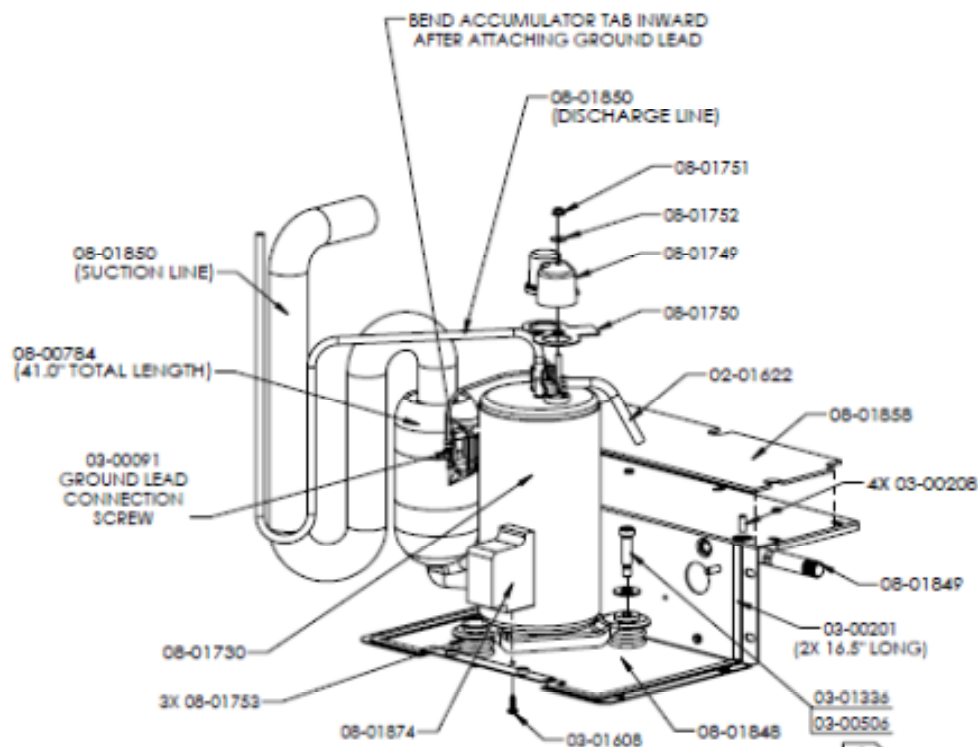
Part#	Part Description	Qty	Uom
02-01612	BLOWER ASSY - MOTORIZED IMPELLER 115V 200W 2775 RPM	1	EACH
02-01613	CABLE ASSY - JACKETED RJ45 7FT	1	EACH
02-01614	POWER CORD ASSY - 14/3 SJTW 5-15P/IEC 25FT	1	EACH
02-01622	CORD SET - COMPRESSOR	1	EACH
02-01632P	CORD SET - BLOWER	1	EACH
02-01666	SWITCH - OVERFLOW SAFETY 48 VAC/DC 5A MAX	1	EACH
03-00012	CABLE TIE - 4 NYLON	7	EACH
03-00013	WASHER - 3/16 RIVET .19 ID X .47 OD X .05 ZP	3	EACH
03-00018	WASHER - 1/4 SAE .281 ID X .625 OD X .06 ZP	10	EACH
03-00023	SCREW - #8 X 1/2 PHIL PH ZP	29	EACH
03-00030	RIVET - 3/16 X 1/2 AL/AL BLK ANOD	3	EACH
03-00091	SCREW- #10-24 X 3/8 HWH SER ZP REPLACES 03-00011	5	EACH
03-00105	SCREW - 1/4-20 X 3/8 HWH NYLOC ZP	13	EACH
03-00113	NUT - 5/8-11 UNC THIN ZP	2	EACH
03-00114	WASHER - 5/8 AN .63 ID X 1.187 OD X .06 SS	4	EACH
03-00121	GASKET - 1/2 X 1/2 POLYURETHANE PSA	1.91	FOOT
03-00201	GASKET - .375 X .125 CLOSED CELL NEOPRENE / VINYL / NITRILE PSA	9.3	FOOT
03-00202	FOOT - ROUND PUSH MOUNT .83 OD X .24 RUBBER BLK	5	EACH
03-00204	RIVET - 3/16 X 5/8 TRI FOLD AL/AL	15	EACH
03-00207	RIVET - 3/16 X 3/8 TRI FOLD AL/AL	4	EACH
03-00208	RIVET - 1/4 X 1/4 STL/STL ZP	4	EACH
03-00209	SCREW - 1/4 -20 X 1/2 SER HWH NYLOC ZP	2	EACH
03-00432	RIVET - 3/16 X 1/4 STL/STL BLK	4	EACH
03-00471	CLAMP - 3/8 ID HOSE GRN	1	EACH
03-00506	WASHER - 3/8 USS .43 ID X 1.00 OD X .08 ZP	3	EACH
03-00771	PUSH MOUNT - NYLON TIE	1	EACH
03-01336	BOLT - SHOULDER 5/16-18 X 3/8 X 1.25	3	EACH
03-01463	CABLE TIE - 6 NYLON	1	EACH
03-01479	SCREW - 1/4-20 X 1.25 SER HWH ZP	8	EACH
03-01481	CLAMP - HOSE .5 BLK	1	EACH
03-01483	GASKET - 1 X 1/2 POLYURETHANE PSA	2.41	FOOT
03-01485	GASKET - .62 X .38 W/ RIBS EPDM PSA	1.84	FOOT
03-01488	CLAMP - CABLE .38 WIDE X .25 ID NYLON BLK	2	EACH
03-01492	SCREW - #6 X 1/2 AB PHP ZP	4	EACH
03-01493	GASKET - .375 X .187 EPDM PSA	37.2	INCH
03-01608	SCREW - #10 X .625 PHP ZP	24	EACH
03-01611	SPACER - DUAL LOCKING POST .13 HOLE X .18 OD X .43 NYLON	1	EACH
03-01617	GASKET - 2 X .125 EPDM PSA	4.2	FOOT
03-01675	SCREW - M4 X 8MM PHP ZP	4	EACH
03-01678	SCREW - #10-32 X 1/2 TC HWH SS	4	EACH
03-01679	CLAMP - CABLE 5/8 NYLON BLK	6	EACH
03-01689	GASKET - D .375 x .437 D EPDM PSA	3	FT
03-01691	GASKET - 1/2 X 1/2 PVC PSA	16.1	FT
03-01692	PIN - HAIRPIN COTTER .042 DIA	3	EACH
03-01693	GASKET - 1 X 1 POLYURETHANE PSA	5.7	FOOT
03-01695	SCREW - #10 X 1.5 PHP ZP	1	EACH
04-00046	GRILL - W/FINISH GLS BLK VORTEX	1	EACH
06-01498	BOX - 20.38 x 19.88 x 33.63 HH48 ECT DW RSC PLAIN	1	EACH
07-01670	LABEL - BADGE	1	EACH
07-01672	LABEL - WARNING DEHUS	1	EACH
07-01773	LABEL - PRODUCT	1	EACH
07-01786	LABEL - WARNING POWER CORD DEHUS	1	EACH
08-00210-01	SHROUD - FILTER PC WR BLK DZ1200	1	EACH
08-00302	FITTING - QUICK DISCONNECT BODY 1/4 BARB	1	EACH

Part#	Part Description	Qty	Uom
08-00303	FITTING - QUICK DISCONNECT INSERT 3/8 BARB	1	EACH
08-00323	FILTER - 11.75 X 11.75 X .79 ELECTROSTATIC GREEN DZ1200	1	EACH
08-00784	INSULATION - CORK TAPE 2 X .13	4.08	FOOT
08-01493	HANDLE ASSEMBLY	1	EACH
08-01522	REFRIGERANT - R410A	22	OUNCE
08-01716-02	SENSOR ASSY - TEMP/RH CABLED	1	EACH
08-01721	SENSOR CABLE ASSY - MICRO CONTROLLER TEMP DEFROST DEHUS	2	EACH
08-01730	COMPRESSOR - ROTARY 115V LG 8600 R410A	1	Each
08-01736	FAN SHROUD - MOTORIZED IMPELLER ABS BLK	1	EACH
08-01740	BRACKET - MOTORIZED IMPELLER GALV STL	1	EACH
08-01741	INSULATOR - ABS BLK	2	EACH
08-01748	OVERLOAD - COMPRESSOR 115V LG 8600-R410A	1	each
08-01749	COVER - COMPRESSOR TERMINAL - 115V LG 8600-R410A	1	EACH
08-01750	GASKET - COMPRESSOR TERMINAL 115V LG 8600-R410A	1	EACH
08-01751	NUT - COMPRESSOR TERMINAL COVER 115V LG 8600 R410A	1	EACH
08-01752	WASHER - COMPRESSOR TERMINAL 115V LG 8600-R410A	1	EACH
08-01753	VIBRATION MOUNT - COMPRESSOR 115V LG 8600-R410A	1	EACH
08-01761-02s	CONTROL PANEL ASSY - MEMBRANE TOUCH PAD CONTROL 2 SP 115/230V	1	EACH
08-01835	PUMP - SUBMERSIBLE 115V 1.3 GPM 5FT CORD	1	EACH
08-01843	COIL ASSY - EVAPORATOR 410A LGR 7000XLI	1	EACH
08-01844	COIL ASSY - CONDENSER 410A LGR 7000XLI	1	EACH
08-01847	ELECTRICAL BOX ASSY - HIGH VOLTAGE	1	EACH
08-01848	BASE - GALV STL LGR 7000XLI	1	EACH
08-01849	AXLE ASSEMBLY -5/8 OD ZP STL LGR 7000XLI	1	EACH
08-01850	REFRIGERATION LINES - 115V	1	EACH
08-01851-09	BACK PANEL - POLYETHYLENE FLINT GRY	1	EACH
08-01852-09	BASE - POLYETHYLENE FLINT GRY	1	EACH
08-01853	COVER - POLYETHYLENE FISHER BLU	1	EACH
08-01854	DUCT RING - 12" DIA ABS BLK	1	EACH
08-01856	BRACKET - MOUNTING SUBMERSIBLE PUMP	1	EACH
08-01857	BRACKET - MOUNTING OVER FLOW SWITCH	1	EACH
08-01858	GASKET - BASE PLATE NEOPR PSA LGR 7000XLI	1	EACH
08-01859	CONTAINER - LGR 7000XLI PUMP	1	EACH
08-01861	ASSEMBLY - HEAT EXCHANGER (LGR 7000XLI)	1	EACH
08-01863	GASKET - HEAT BLOCK RH NEOPR PSA	1	EACH
08-01864	GASKET - HEAT BLOCK LH NEOPR PSA	1	EACH
08-01865	GASKET - COIL INSULATION RH NEOPR PSA	1	EACH
08-01866	GASKET - COIL INSULATION LH NEOPR PSA	1	EACH
08-01867	FORMING - COVER STIFFENER	1	EACH
08-01869	BRACKET - DRIP TRAY SUPPORT	1	EACH
08-01870	GASKET - COIL INSULATION - FRONT (LGR 7000XLI)	1	EACH
08-01871	SHROUD - CONDENSER TRAY	1	EACH
08-01873	BRACKET - HORIZONTAL SEAL SUPPORT SS	1	EACH
08-01874	SUPPORT - BLOWER SHROUD (LGR 7000XLI)	1	EACH
08-01875	GROMMET - 90 DEGREE FOAM	1	EACH
08-01876	CLAMP - .75 HW ONE HOLE	1	EACH
08-01878	INSULATION - PIPE .375 ID X .25 WALL EPDM	6.3	INCH
08-01879	FOAM - SHEET 24 x 54 POLYETHYLENE	0.03	SHEET
08-01880	DRAIN SPOUT - ABS BLACK	1	EACH
08-01882	FOAM SEAL - COVER VERTICAL (LGR 7000XLI)	2	EACH
08-01883	FOAM SEAL - FRONT BOTTOM (LGR 7000XLI)	2	EACH
08-01885	GASKET - BASE VERTICAL (LGR 7000XLI)	2	EACH
08-01886	BRACKET - COVER CORNER CLIP (LGR 7000XLI)	2	EACH
13-00053	WHEEL - 12 X 2 X 5/8 BORE GRY (Includes DUST CAP, 13-01549)	2	EACH
13-00083	TUBING - 3/8 X 5/8 OD BRAIDED PVC	1.67	FOOT
13-01549	DUST CAP - 12 OD WHEEL NYLON BLK Included w/13-00053	2	EACH
15-00195	TUBE - 1/4 ID X 3/8 OD VINYL	40	FOOT

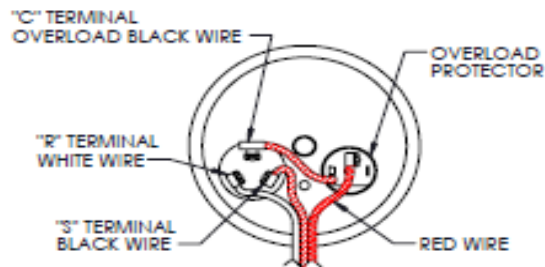
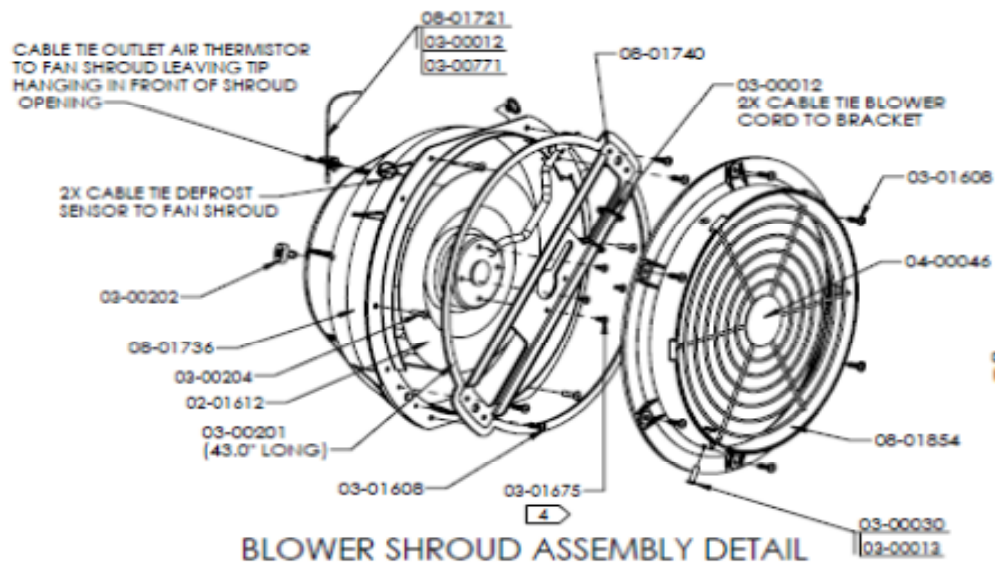
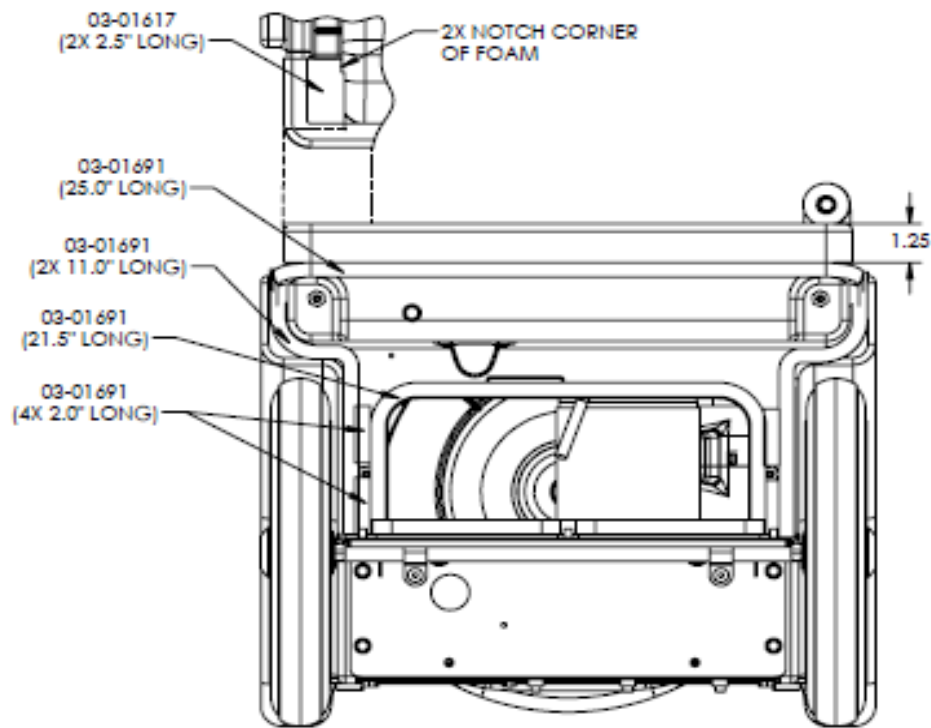
Pictorial Drawing



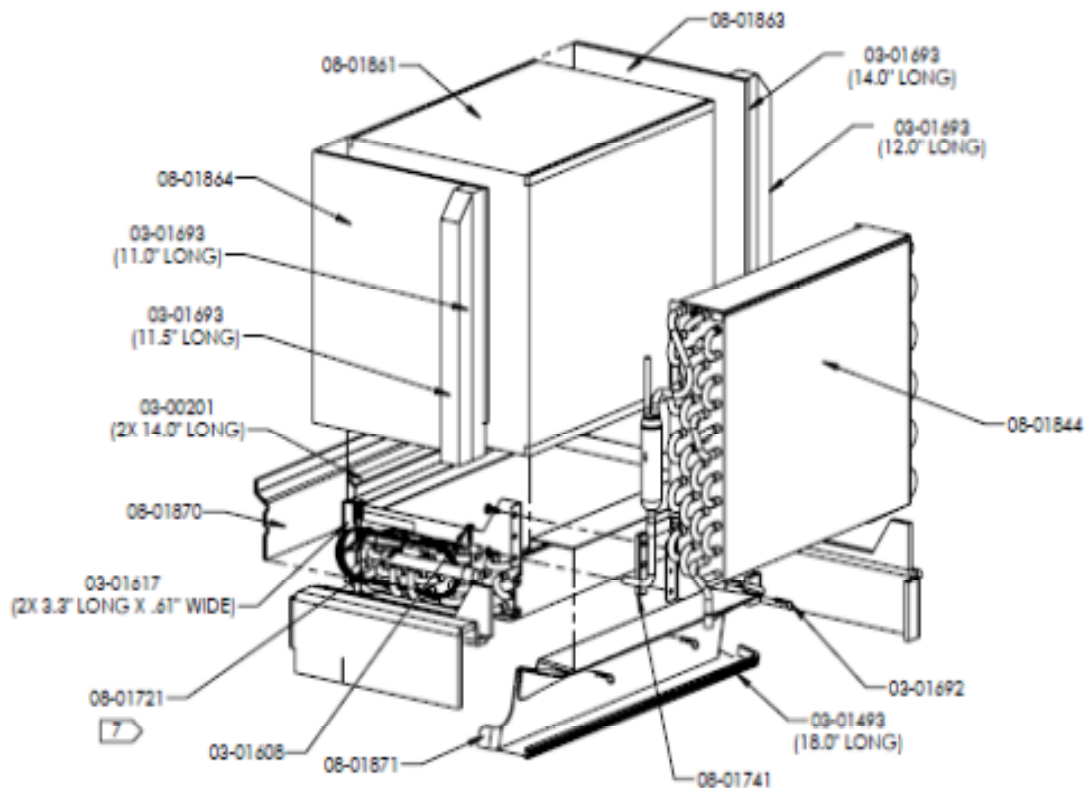
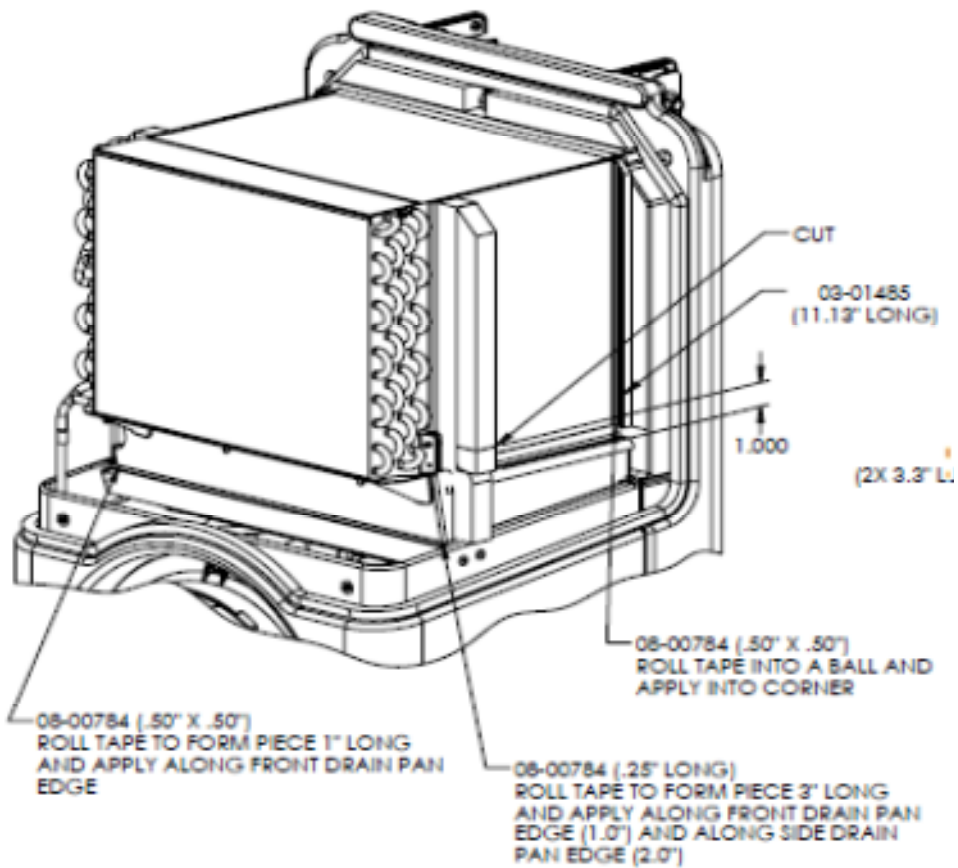
BASE UNIT ASSEMBLY DETAIL



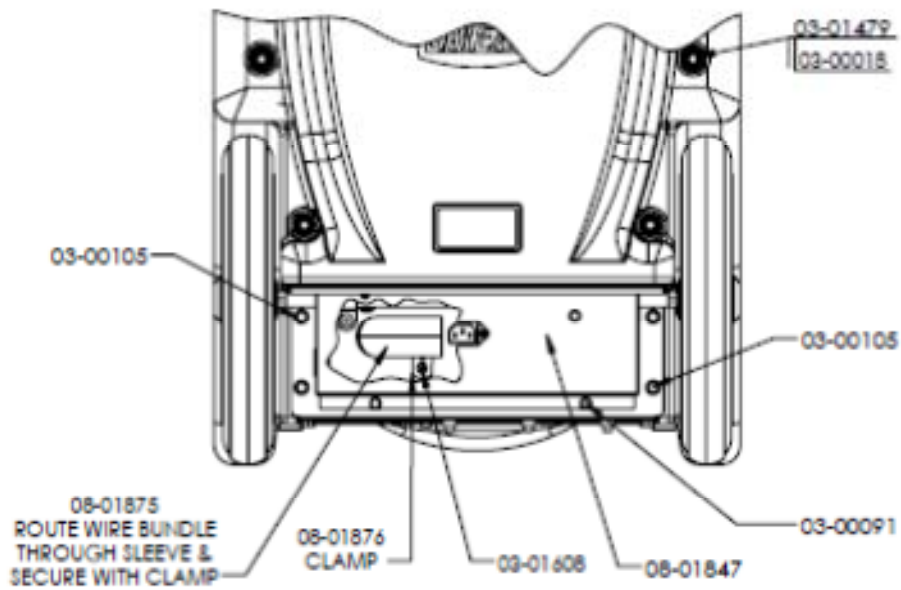
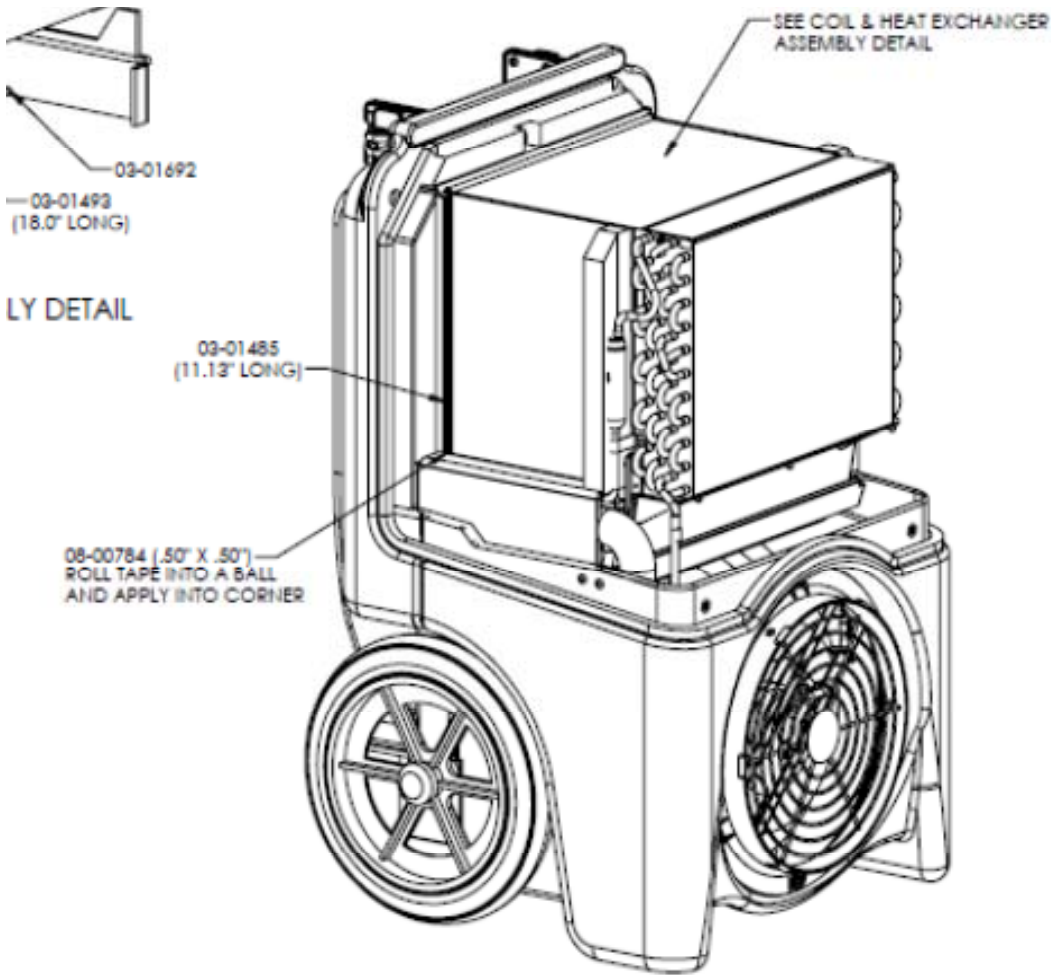
COMPRESSOR BASE DETAIL



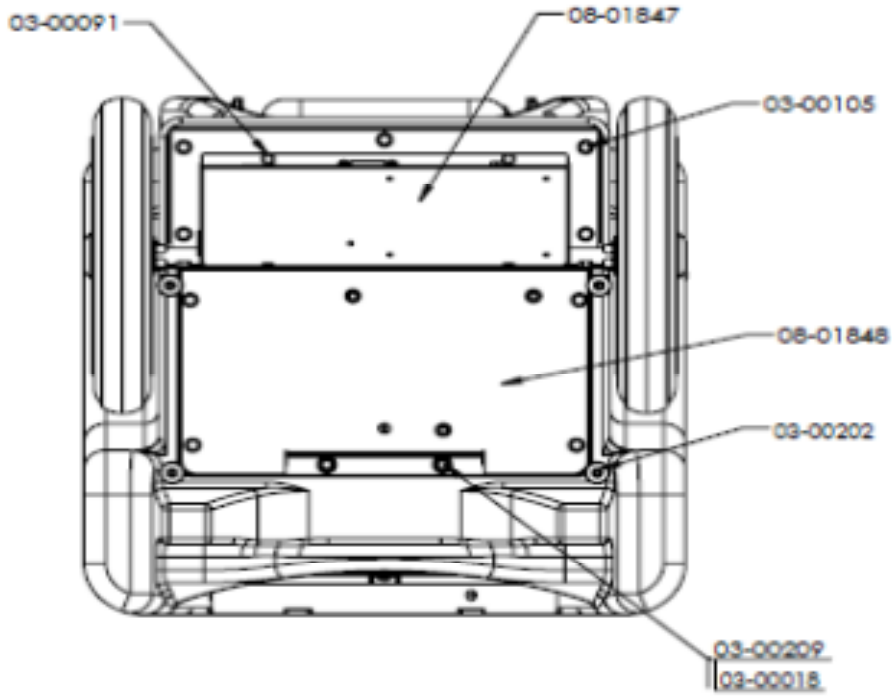
COMPRESSOR WIRING DETAIL



COIL AND HEAT EXCHANGER ASSEMBLY DETAIL



PARTIAL REAR VIEW



BOTTOM VIEW

