



XAACT Xtract 200

*INFORMATION
&
OPERATING
INSTRUCTIONS*

**READ AND UNDERSTAND THESE INSTRUCTIONS
BEFORE OPERATING THE MACHINE**



CONTENTS:

| | | | |
|---|---|---|----|
| Machine Specifications | 2 | Care & Maintenance. | 4 |
| Record Important information: | 2 | Views of Machine. | 5 |
| Safety Information & Cautions | 3 | Set up & Operating Instructions | 6 |
| Your New Machine. | 4 | Part List | 7 |
| System Features | 4 | Exploded View. | 8 |
| Chemicals | 4 | Warranty. | 9 |
| Tools & Accessories | 4 | Troubleshooting. | 10 |

MACHINE SPECIFICATIONS:

| | Xaact Xtract 200 |
|------------------------|--|
| Pump | 200 psi diaphragm, with internal pressure switch |
| Vacuum | 3-stage, 137" lift, 97 cfm |
| Heater | 2000 watt |
| Solution Tank Capacity | 15 Gal |
| Recovery Tank Capacity | 15 Gal |
| Vacuum Shut-off | Ball Float |
| Dimensions | 36-3/4" H 23-1/2" W 32" L |
| Weight | 98 lbs |
| Warranty | 2 year limited; lifetime on body & heater |

MACHINE AND PURCHASE INFORMATION:

RECORD AND RETAIN THIS IMPORTANT INFORMATION

Model: Xaact Xtract 200

Serial Number: _____

Purchase Date: _____

Write the name and phone number of your distributor:

And don't forget to register your purchase to activate your warranty

CRITICAL SAFETY INFORMATION & CAUTIONS

The acceptable use of this machine is for commercial/professional cleaning, for example, in hotels, schools, hospitals, and offices, rather than for personal housekeeping.

NOTE: Read all instructions before using this machine. Improper use or misuse of the machine can result in personal injury or property damage.



READ ALL!

WARNING!



To reduce the risk of personal injury or property damage, follow these procedures:

- Connect to a properly grounded outlet only.
- Do not operate the machine in an explosive environment.
- Do NOT use Solvents.
- Never add water over 120 °F/49 °C to the solution tank.
- Do not pick up anything that is burning or smoking, such as cigarettes, matches, or hot ashes, or any health endangering dusts. Do not use to pick up flammable or combustible liquids such as gasoline or use in areas where they may be present.
- To avoid electric shock, do not expose to rain or snow and keep from extremes in temperature. Store in a heated location. Use the machine indoors. Do not use outdoors.
- Do not use this machine to dry vacuum before wet cleaning.
- Do not use with damaged cord or plug. If the machine is not working as it should, has been dropped, damaged, left outdoors or flooded with water, return it to a service center.
- Do not leave the machine unattended when it is plugged in. Unplug the unit from the outlet when not in use and before servicing.
- Use only as described in this manual. Use only the manufacturer's recommended attachments.
- Do not handle the plug, the cord, or the machine with wet hands.
- Extension cords must be 12/3 and no longer than 50 feet. Replace the cord or plug immediately if the ground prong becomes damaged.
- Do not put any object into openings. Do not use with any opening blocked; keep free of dust, lint, hair, and anything that may reduce air flow.
- Keep loose clothing, hair, fingers, and all parts of body away from openings and moving parts.
- Liquid ejected at the spray nozzle could be dangerous as a result of its temperature, pressure, or chemical content.

READ AND SAVE THESE INSTRUCTIONS

YOUR NEW MACHINE:

Xaact Products thoroughly tests every machine it sells before it is packaged. When you receive your new machine, examine the packaging for signs of shipping damage. Carefully unpack the machine and inspect it. If you see evidence of damage to the container or the contents, contact the freight carrier immediately.

Additionally, ensure all parts and accessories are present; if you notice anything missing, contact your distributor without delay.

SYSTEM FEATURES:

HEAT: The Xtract 200 has a built-in heater. One switch activates either high heat or low heat.

A green, separate circuit indicator light - located on the switch plate - will illuminate when the two power cords are plugged into outlets on different circuits. This aids the operator in finding separate circuits, which may avoid tripped breakers.

VACUUM: The vacuum motor provides an excellent ratio of water lift to air movement (see specs, page 2). Carpets should dry quickly if not over-wetted while cleaning.

PUMP: The pump is a 'demand' style -- it only runs when there is a demand for spray. This feature increases the life of the pump.

CHEMICALS:

The use of clear water in the machine is recommended, with the application of properly diluted cleaner as a pre-spray on the area to be cleaned; however, you may mix water and cleaning chemicals in a bucket -- according to directions on the chemical label -- and then pour into the solution tank. If you chose to use chemicals in the machine, always use a cleaner with a pH as close to neutral as possible to avoid premature wear of the pump, seals, and/or other

components. Damage caused by the use of strong chemicals is not covered by the warranty. The use of powder chemicals is discouraged; unless they are mixed very thoroughly and rinsed out completely at the end of the job, powdered cleaners could cause a build-up in the pump, lines, heater and/or quick disconnects. Any problem caused by a chemical build-up is not covered by warranty.

If foaming occurs as you clean, use a defoamer, either in the recovery tank or on the area being cleaned, to prevent overflow which can cause water damage to machine components.

TOOLS & ACCESSORIES:

Use only manufacturer's recommended tools and accessories. If the spray valve on your cleaning tool begins to leak or if the spray tips get worn and are no longer providing a nice even spray pattern, order replacements from your distributor.

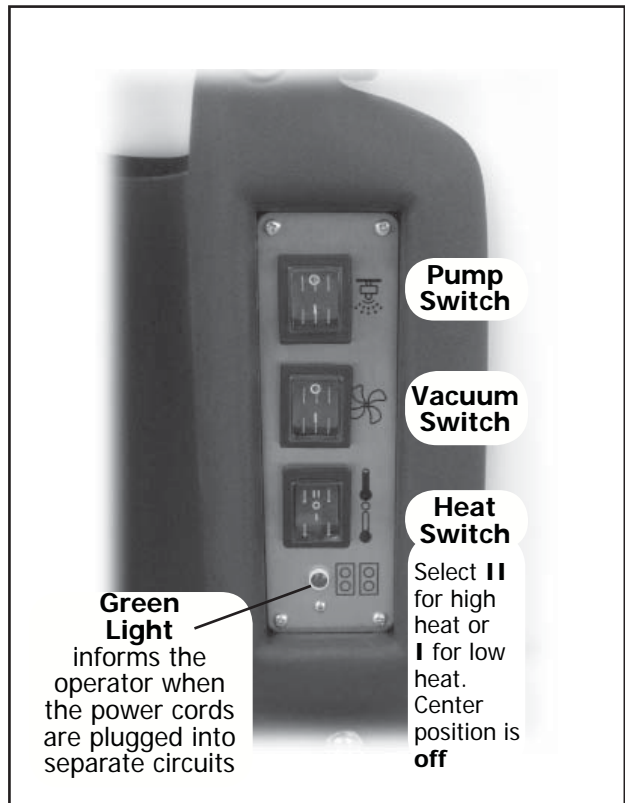
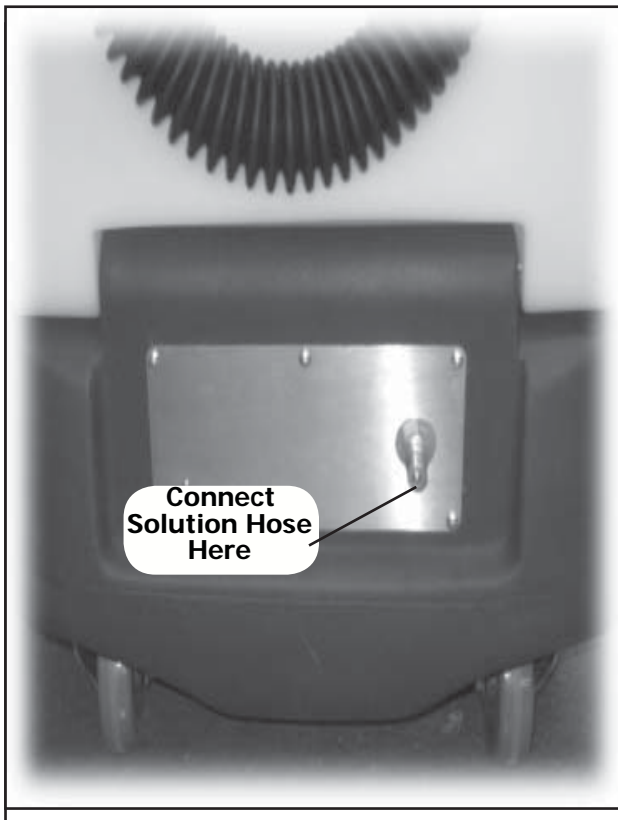
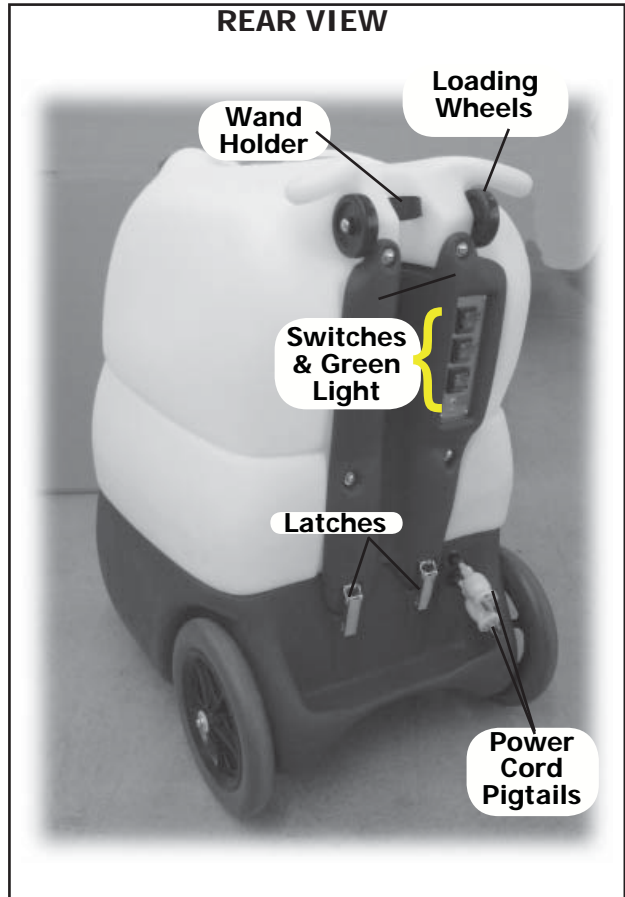
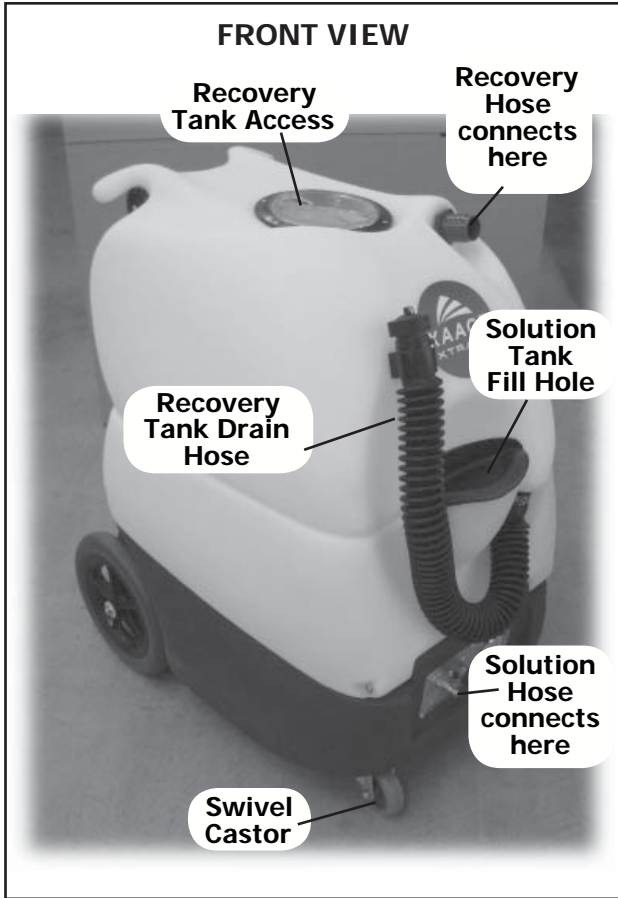
CARE & MAINTENANCE:

For continual peak operation, clean the internal plumbing by rinsing with clear water at the end of each job. About once a month, rinse the machine with a commercial flushing compound to break-up any mineral or chemical accumulation that may have formed from the use of hard water or chemicals.

The vacuum motor and the pump do not require any scheduled maintenance; however, the vacuum motor may require replacement brushes after 750-1000 hours.

To help maintain a professional image; clean the exterior of the machine with an all purpose detergent, and protect it with automobile interior polish. Lubricate the wheels, castors, and quick disconnects with an all purpose, silicone spray.

VIEWS OF THE MACHINE:



SET-UP & OPERATION:

1. Before each use, inspect the machine, hoses, and cleaning tool for cleanliness and completeness. Ensure the spray nozzles on the cleaning tool are tight and that the ball float in the recovery tank is clean and operational.
2. Close the clear, screw-on lid on the recovery tank, and screw the cap onto the drain hose.
3. Fill the holding tank with clear water.
NOTE: the heater on this machine is designed to provide nearly instant hot water for cleaning; if you use warm water in the solution tank it would increase heater efficiency. Never use water above 120 °F or 49 °C in the solution tank.
4. Turn off all the switches. Plug the power cords into properly grounded outlets. Do not connect both cords to the same outlet.
NOTE: This machine employs a **separate circuit locator light**; this feature will inform the operator when the cords are plugged into separate circuits, thereby helping to prevent tripped circuit breakers. If the green light does not illuminate when both cords are plugged in, it means the cords are on the same circuit. Try other outlets with one of the cords until you get the locator light to come on.
5. Connect the solution hose and the vacuum hose to the machine and to the cleaning tool.
6. Turn the pump and spray through the tool for a few seconds to fill the heater and lines with water.
7. Turn the heat switch to either high heat, **II**, or low heat, **I** (center position is no heat), and wait two minutes for the heater to reach operating temperature.
8. Pre-spray the area to be cleaned with the detergent of your choice.

NOTE: If you choose to add a detergent to the solution tank, be sure to mix well, and always follow the use & dilution instructions on the chemical label. Use a chemical with a pH between 5 and 10 to reduce the likelihood of premature wear to the pump and other seals.

9. Turn on the vacuum.
10. Begin cleaning, following industry accepted practices.
NOTE: Use defoamer any time foaming occurs in the recovery tank to prevent damage to the motor or other components.
11. Monitor the water level in the solution tank. Do not let the pump run dry.
12. When the solution tank gets low, turn off the pump and the vacuum, fill the solution tank, empty and clean the recovery tank.
13. When finished with the job, remove any unused solution from the solution tank, and run a few gallons of clean water through the system. Drain the recovery tank by opening the drain gate over a drain or a bucket. Disconnect the hoses from the cleaning tool.

AUTO VACUUM SHUT OFF:

When the recovery tank is full, the ball float will shut-off the suction to prevent the machine from overflowing. **NOTE:** The float may not work if there is too much foam in the tank. Always use defoamer to prevent overflow.

HEAT SYSTEM:

The heater holds a small amount of water, so to maintain hot water for the entire cleaning job, spray for short periods and then stop spraying during a recovery stroke. Continuous spraying will prevent the water from pausing long enough in the heater to reach maximum temperature.

Xtract 200

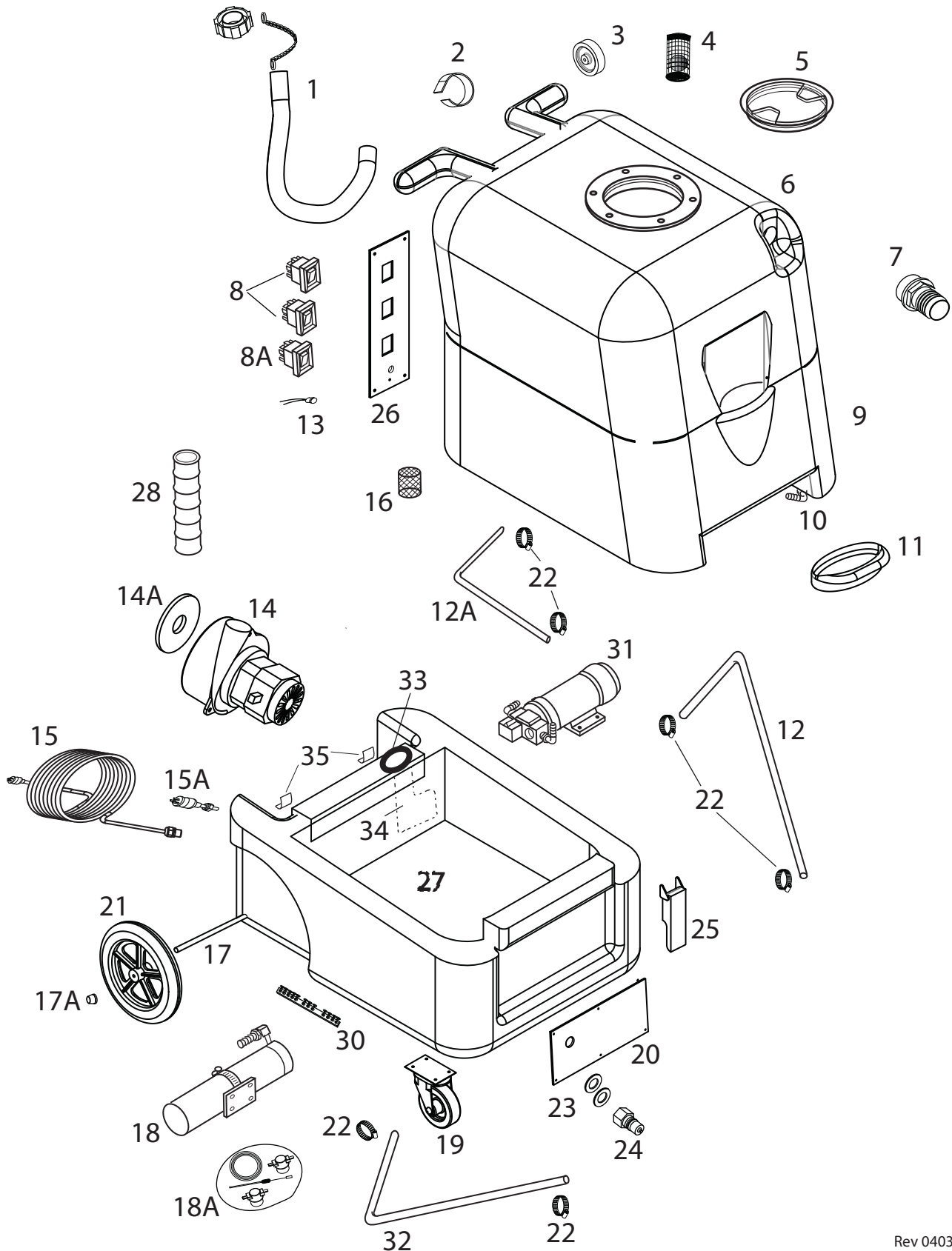
Part List

120V

| <u>Item</u> | <u>Part No.</u> | <u>QTY</u> | <u>Description</u> |
|-------------|-----------------|------------|---------------------------------------|
| 1 | 80-00180 | 1 | Hose, drain, with cap |
| 2 | 80-00178 | 1 | Hook & Loop strap, for wand hold-down |
| 3 | 80-00142 | 2 | Wheel, 3" |
| 4 | 80-00162 | 1 | Ball Float, vac shut-off |
| 5 | 80-00038 | 1 | Clear lid with mounting plate |
| 6 | 71-00104 | 1 | Recovery tank, specify model |
| 7 | 80-00130 | 1 | Hose barb, 1-1/2" vac hose |
| 8 | 50-00003 | 2 | Switch, pump & vacuum |
| 8A | 50-00004 | 1 | Switch, heat |
| 9 | 88-00010 | 1 | Solution tank, specify model |
| 10 | 80-00102 | 1 | Hose Barb/Elbow 90° |
| 11 | 80-00150 | 1 | Lid, solution tank |
| 12 | 80-00231 | 1 | Hose, pump to heater, 3/8" ID X 48" |
| 12A | 80-00027 | 1 | Hose, tank to pump, 25" |
| 13 | 50-00163 | 1 | Green light |
| 14 | 51-00004 | 1 | Vacuum motor, 3-stage |
| 14A | 80-00182 | 1 | Gasket, vacuum, 5" OD |
| 15 | 50-00042 | 2 | Power cord, 25 ft |
| 15A | 50-00043 | 2 | Power cord pigtail |
| 16 | 50-00062 | 1 | Filter, pump inlet |
| 17 | 80-00212 | 1 | Axle |
| 17A | 40-00036 | 2 | Axle cap |
| 18 | 88-00012 | 1 | Heater, complete |
| 18A | 30-00145 | 1 | Repair kit, complete, for heater |
| 19 | 80-00131 | 2 | Caster |
| 20 | 80-00185 | 1 | Plate |
| 21 | 80-00172 | 2 | Wheel, 12 inch |
| 22 | 40-00044 | 8 | Hose clamp |
| 23 | 40-00020 | 2 | Washer high temp. |
| 24 | 80-00051 | 1 | Quick disconnect, male, 1/4 |
| 25 | 80-00181 | 2 | Latch |
| 26 | 80-00190 | 1 | Switch plate |
| 27 | 71-00102 | 1 | Base compartment, specify model |
| 28 | 80-00120 | 1 | Hose, wire reinforced |
| 30 | 50-00052 | 2 | Terminal block |
| 31 | 60-00006 | 1 | Solution pump, 200 psi |
| 32 | 80-00169 | 1 | Hose, heater to outlet, 20" |
| 33 | 80-00184 | 1 | Gasket, vacuum exhaust 2-1/2" OD |
| 34 | 71-00117 | 1 | Manifold, vacuum |
| 35 | 80-00177 | 2 | Strikes for latches |

XTRACT 200

Heated 120V



WARRANTY

This warranty covers the Xaact Xtract 200 against defects in material or workmanship. The warranty is not transferable and is extended to the original owner, only.

This warranty extends for the following time frames/components/labor, as stated:

- Lifetime from the date of purchase on the plastic housing;
- Two (2) years from the date of purchase on the parts and labor (items that wear with use, such as filters and seals, are expressly excluded from this warranty).

If a defect in material or workmanship occurs within the warranty period stated above, Xaact Products will, at its discretion, repair or replace the defective component at no charge.

This warranty does not cover or apply to damage caused by direct or indirect misuse, abuse, disassembly, alteration, corrosive chemicals, extremes in temperatures, improper voltage, inadequate extension cords, fire, flood, negligence, accident, improperly or incorrectly performed maintenance or repair, failure to perform necessary or recommended maintenance or repair as stated in the owner's manual or elsewhere, the use of incorrect filters or lack of filters, or if the use of this product is not in compliance with the instructions and specifications for use. Damage is not covered by the product warranty. This warranty does not cover filters. All implied warranties are limited to the warranty period stated above.

OTHER THAN THE WARRANTIES PROVIDED HEREIN, XAACT PRODUCTS MAKES NO EXPRESS OR IMPLIED ORAL OR WRITTEN WARRANTIES WITH RESPECT TO THIS PRODUCT OR THE WORKMANSHIP OF IT, AND ALL WARRANTIES IMPLIED BY LAW, INCLUDING ANY WARRANTIES OF MERCHANTABILITY OR FITNESS FOR A PARTICULAR PURPOSE, ARE LIMITED TO THE DURATION OF THIS WARRANTY. Some states do not allow limitations on how long an implied warranty lasts, so the above limitations may not apply to you.

XAACT PRODUCTS SHALL IN NO WAY BE LIABLE FOR INJURIES TO PROPERTY OR FOR INJURY OR DEATH TO PERSONS, OR FOR INCIDENTAL, CONTINGENT, SPECIAL OR CONSEQUENTIAL DAMAGE ARISING FROM USE OF OUR PRODUCTS. Some states do not allow the exclusion or limitations of incidental or consequential damages, so the above limitations or exclusions may not apply to you.

In order to be eligible for service under the warranty, you must do each of the following:

- (a) return the warranty registration card (attached) within thirty (30) days of purchase;
- (b) write or call for a Returned Material Authorization (RMA) number;
- (c) have the serial number of the equipment and the original proof of purchase available.

Contact us at Xaact Products, 208-762-3800.

Upon receipt of the product, Xaact Products will complete an inspection, without charge, and contact you within 72 business hours to relay the results of our inspection. If our inspection uncovers a defect, we will repair or replace the part, at our discretion. If the product fails because of defect or poor workmanship, Xaact Products will pay for the cost of shipping the product to Xaact Products and back to you. If, through our inspection, we determine that there is no defect in the product, or that the problem resulted from causes not within the scope of this warranty, the product will be repaired or replaced only at owner's request and expense. The owner will pay all shipping costs.

This warranty gives you specific legal rights, and you may have additional rights that vary from state to state.

TROUBLESHOOTING



ALWAYS UNPLUG THE MACHINE BEFORE DISCONNECTING OR CONNECTING ANY WIRES OR COMPONENTS.

| SYMPTOM | POSSIBLE CAUSE |
|------------------|--|
| Low pressure | plugged or dirty pump inlet filter; pump is leaking; |
| No spray | solution tank is empty; quick couplings on solution line are not completely connected to machine or tool; spray tip is plugged; pump is not running; plugged/dirty pump inlet filter; plugged or damaged solution hose or quick disconnect; |
| Pump not running | no power to pump -- no power to cord; on/off switch is bad; |
| Low suction | recovery tank lid not closed; damaged vacuum gasket; dirty vacuum inlet screen; vacuum hose loose or cracked; |
| No suction | recovery tank is full; vacuum not running - bad switch or bad vacuum motor |
| Low heat | spraying too long; |
| No heat | no power to heating element -- thermal fuse is blown; one or both of the bimetallic switches is not closing or heat selector switch is bad; |

Always use original equipment replacement parts.

Contact your distributor for additional information or to arrange for service.

