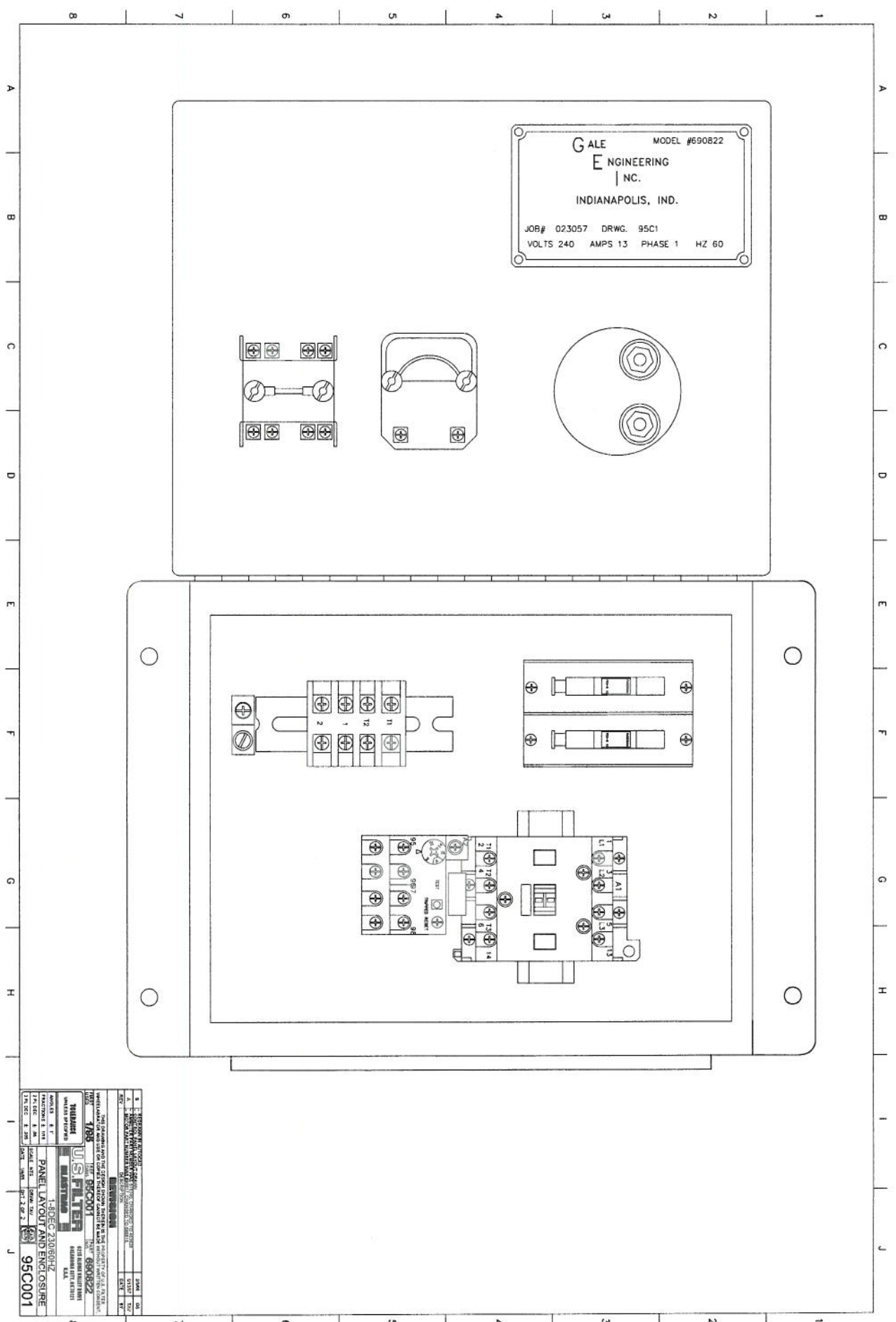


QTY	USE P/N	VENDOR	NUMBER	DESCRIPTION
1		HOFFMAN	A-10086LP	ENCLOSURE, 10 X 8 X 6
1		HOFFMAN	A-10P8	BACK PANEL FOR ENCLOSURE
1	463828			AMMETER (20 AMP)
1	679943			FUSE BLOCK, MIDGET, 2 POLE
2	497602	BUSSMAN	FRN-15	FUSE, 250V, 15 AMP
5	296700			TERMINALS
1		A-B	100-A24NA3	CONTACTOR, 24 AMP, 220V, 50/60 HZ COIL
1	676523	A-B	193BSC15	OVERLOAD RELAY, 10-16 AMP
1		A-B	800H-PR26R	PILOT LIGHT, 240V, 50/60 HZ, RED
1	671138	A-B	800H-JR5-KE7AAXX	SELECTOR SWITCH, 3 POSITION, MAINTAINED (EXC) SPRING RETURN FROM RIGHT
2	426079	KELLEMS	CG3150	CORD GRIP W/ STRAIN RELIEF, STRAIGHT
1	690842	KELLEMS	CG406-90	CORD GRIP W/ STRAIN RELIEF, 90 DEGREE
25'	690823		14/3 SJTO	CORD, 14 AWG, 3 CONDUCTOR, TYPE SJTO, YELLOW
1	690824	HUBBELL		PLUG, 2 POLE W/ GROUND, 250V, 20 AMP
1	690816			MOTOR, 3HP, 1 PHASE, 230V, 60 HZ





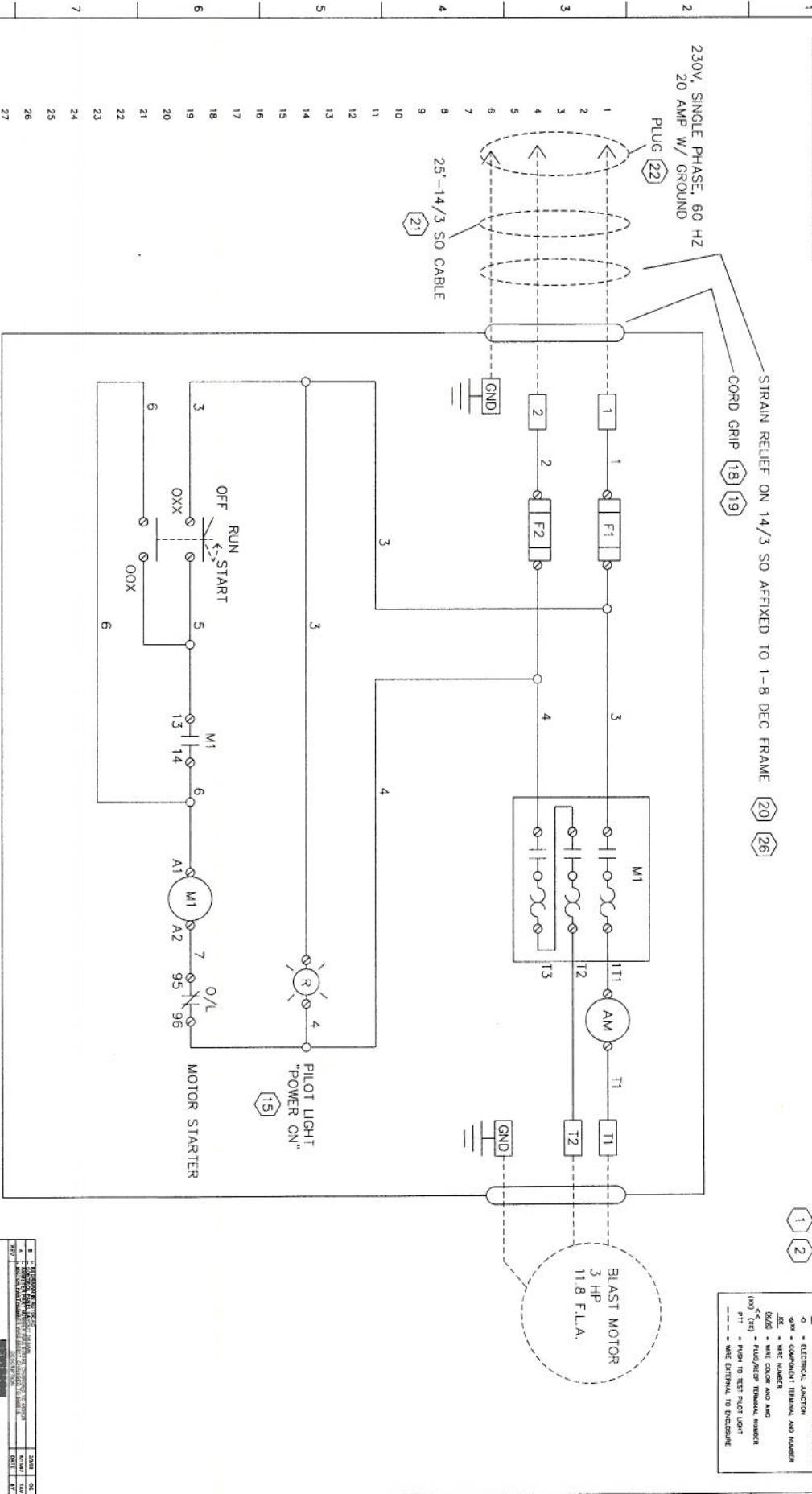
1	2	3	4	5	6	7	8								
1	2	3	4	5	6	7	8								
<p><b>REVISIONS</b></p> <table border="1"> <thead> <tr> <th>NO.</th> <th>DATE</th> <th>BY</th> <th>DESCRIPTION</th> </tr> </thead> <tbody> <tr> <td>1</td> <td></td> <td></td> <td>ISSUED FOR MANUFACTURE</td> </tr> </tbody> </table>								NO.	DATE	BY	DESCRIPTION	1			ISSUED FOR MANUFACTURE
NO.	DATE	BY	DESCRIPTION												
1			ISSUED FOR MANUFACTURE												
<p><b>GENERAL NOTES</b></p> <p>1. ALL DIMENSIONS ARE IN INCHES UNLESS OTHERWISE SPECIFIED.</p> <p>2. MATERIALS TO BE USED SHALL BE AS SPECIFIED IN THE BILL OF MATERIALS.</p> <p>3. FINISH SHALL BE AS SPECIFIED IN THE BILL OF MATERIALS.</p> <p>4. ALL SURFACES SHALL BE PROTECTED AGAINST CORROSION.</p> <p>5. THE MANUFACTURER SHALL BE RESPONSIBLE FOR OBTAINING ALL NECESSARY PERMITS AND APPROVALS.</p>															
<p><b>MANUFACTURER INFORMATION</b></p> <p>THURMAN        1-800-230-6074        1-800-230-6074        1-800-230-6074        1-800-230-6074</p>															
<p><b>PROJECT INFORMATION</b></p> <p>PROJECT: 95C001        DRAWING: 95C001        TITLE: PANEL LAYOUT AND ENCLOSURE</p>															

TOTAL F.L.A.	LARGEST MOTOR F.L.A. @ SUPPLY VOLTAGE
11.8 AMPS	11.8 AMPS
PHASE - 60	PHASING - TYPE 1
	MODEL - 15000 - 250V

# 1-8 DEC CONTROL PANEL FOR 230V/60HZ

**SCHEMATIC SYMBOLS**

- (E1) - TOTAL BLOCK
- (E2) - ROTARY SWITCH
- (E3) - ROTARY SELECTOR SWITCH TERMINAL
- (E4) - ROTARY SELECTOR SWITCH POSITION
- (E5) - ELECTROMAGNET, STARTER, AND RELAY
- (E6) - WIRE NUMBER
- (E7) - WIRE COLOR AND A.W.G.
- (E8) - FUSE/ACF TERMINAL NUMBER
- (E9) - WIRE TO TEST PILOT LIGHT
- (E10) - WIRE EXTENSION TO ENDPOINT



1	1-8 DEC CONTROL PANEL	REV. 1	1965
2	1-8 DEC CONTROL PANEL	REV. 2	1965
3	1-8 DEC CONTROL PANEL	REV. 3	1965
4	1-8 DEC CONTROL PANEL	REV. 4	1965
5	1-8 DEC CONTROL PANEL	REV. 5	1965
6	1-8 DEC CONTROL PANEL	REV. 6	1965
7	1-8 DEC CONTROL PANEL	REV. 7	1965
8	1-8 DEC CONTROL PANEL	REV. 8	1965

**US FILTER**  
 1-8 DEC CONTROL PANEL SCHEMATIC  
 MODEL 1-8 DEC CONTROL PANEL  
 95C0001