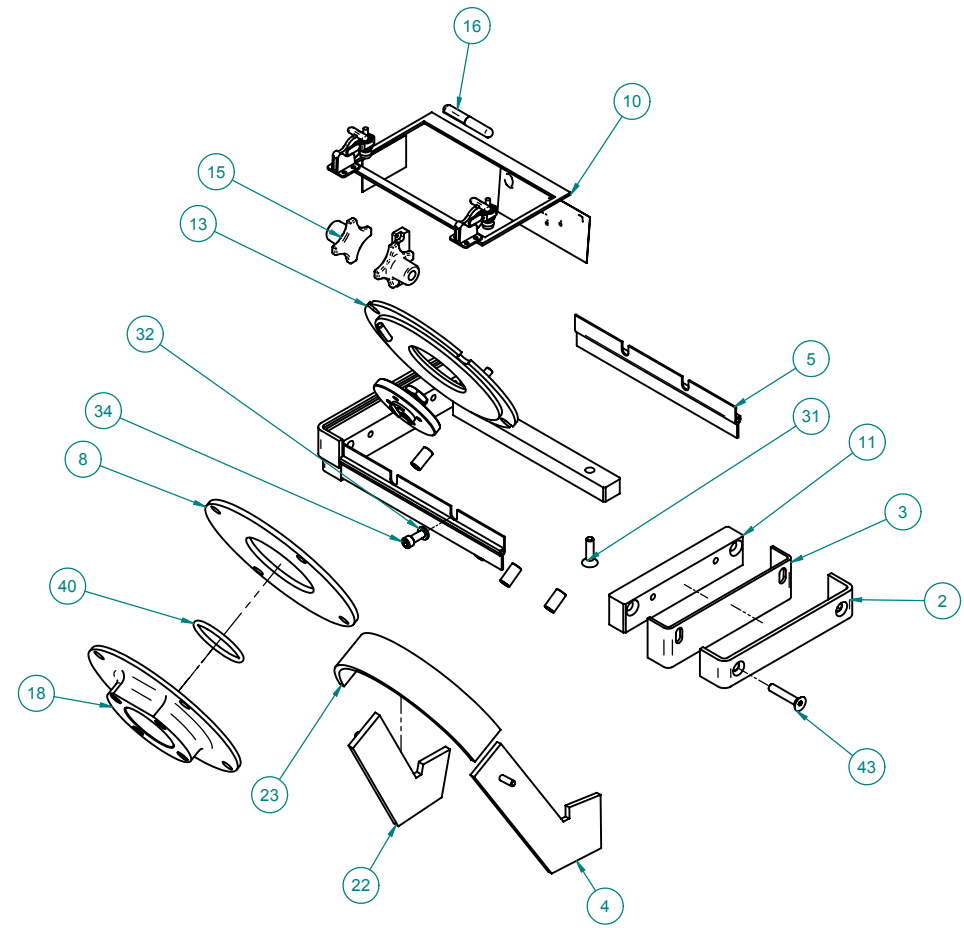
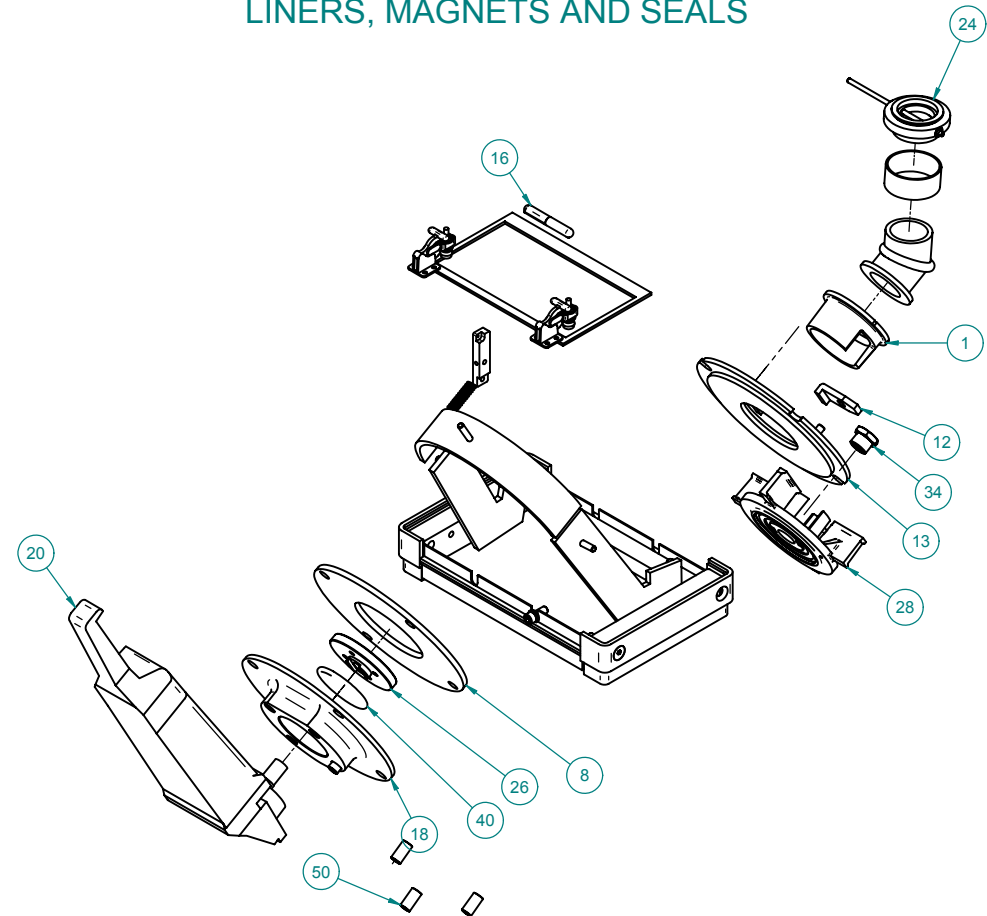


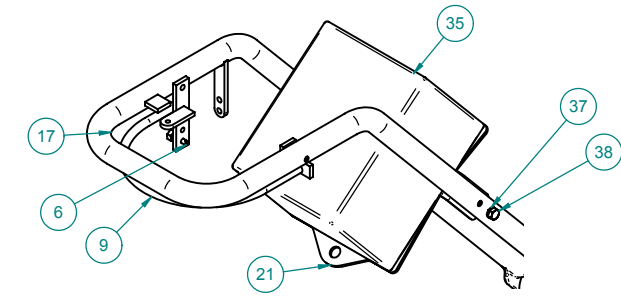
ITEM	QUANTITY	CATALOG NUMBER	DRAWING NUMBER	DESCRIPTION	ITEM	QUANTITY	CATALOG NUMBER	DRAWING NUMBER	DESCRIPTION
43	4	P001682	--	SCREW/SOC. FLAT 5/16-18 S.S.	1	1	4514760	76B0200	CAGE / CONTROL 55" CW & CCW
44	2	500778	--	SCREW/CAP HEX. 3/8"-16UNC GR5	2	2	6811540	90C0244	RETAINER/SIDE
45	1	P000818	--	PLATE/SERIAL NUMBER - BLASTRAC	3	2	6811550	90C0245	SKIRT/SIDE
46	2	P001420	--	DECAL/MADE IN THE USA-SMALL	4	1	6908260	95B0016	LINER/R.H. SIDE - SLL
47	1	4725530		SIGN/SAFETY-VERIFY ROTATION	5	2	6908300	420-0029	BRUSH/FRONT-REAR
48	1	P002735	--	DECAL/1-8DEZ US FILTER/BLASTRAC	6	1	6916120	--	NIPPLE/THROTTLE & NUT
49	1	05-65643	--	DECAL/WARNING-EYE AND EAR PROTECTION	7	1	6933320	--	ABRASIVE VALVE CONTROL CABLE
50	4	P002825		LOCATOR POST/GRINDER ADAPTER PLATE	8	1	P001125	420-0012	SEAL/BEARING UNIT
51	2	5001040	--	WASHER/FLAT 3/8"	9	1	6962970	420-0022	HANDLE/ABRASIVE CONTROL
52	2	5001150	--	WASHER/LOCK 3/8"	10	1	6963170	420-0024	SEAL/SEPARATOR LID
53	2	5000700	--	NUT/HEX JAM 3/8"-16UNC	11	2	9697800	420-0028	MAGNET/SIDE
54	1				12	2	9700120	420-0056	CLAMP/CONTROL CAGE
55	1	PA-11067	PA-11067	MOUNT MOTOR/ 1-8DEZ RIGHT	13	1	9763240	420-0030	BRACKET/CONTROL CAGE
56	1				14	1	P002659	--	FRONT CASTER ASSEMBLY
57	4	800862	--	M14 X 25 HEX HEAD BOLT	15	2	P001433	--	KNOB/ALUMINUM HAND
58	4	05-73904	--	M14 LOCK WASHER	16	1			
59	2	05-73905	--	M14 HEX NUT	17	1	6962960	420-0021	HANDLE/STEERING
					18	1	P002628	421-0008	MOUNTING PLATE/GRINDER
					19	2	03600001	--	CLAMP/TOGGLE MODEL #305U
					20	1	P002629		GRINDER/METABO
					21	1	P002647	421-0011	MOUNTING PLATE/ELECTRICAL BOX
					22	1	6908250	95B0016	LINER/L.H. SIDE - SLL
					23	1	4973070	95B0063	LINER/TOP - SLL
					24	1	P000001	420-0015	VALVE/ABRASIVE CONTROL
					25	1	P003128	421-0018	CASTER BRACKET/WIDE WHEEL BASE
					26	1	P002617	421-0004	HUB/WHEEL
					27	1	6962870	--	SPRING/COIL .048 WIRE
					28	1	4595560	77D0663	WHEEL/ 6-1/2" OPEN FACE
					29	1	9697630	420-0027	MAGNET/ FRONT- REAR
					30	1	6962880	420-0016	SCREEN/SEPARATOR
					31	4	P001683	--	SCREW/SOC. FLAT 5/16-18 S.S.
					32	4	5001140	--	WASHER/LOCK 5/16"
					33	4	P001684		SCEW/SHCS 5/16"-18 SS
					34	1	P002639	421-0009	ARBOR NUT/1-8DEZ
					35	1	P004262	421-0010	ELECTRICAL ENCLOSURE
					36	4	5001020	--	WASHER/FLAT 1/4"
					37	8	5009530	--	WASHER/LOCK 1/4" GR5
					38	4	500178	--	SCREW/CAP HEX. 1/4"-20UNC
					39	4	5000580	--	NUT/HEX 1/4"-20UNC
					40	1	P002656	421-0012	SEAL/FELT GRINDER ADAPTER PLATE
					41	2	6962940	--	CASTER/SWIVEL 4" X 1-1/4"
					42	6	5001070	--	WASHR/FLT 0.625 G8 STL



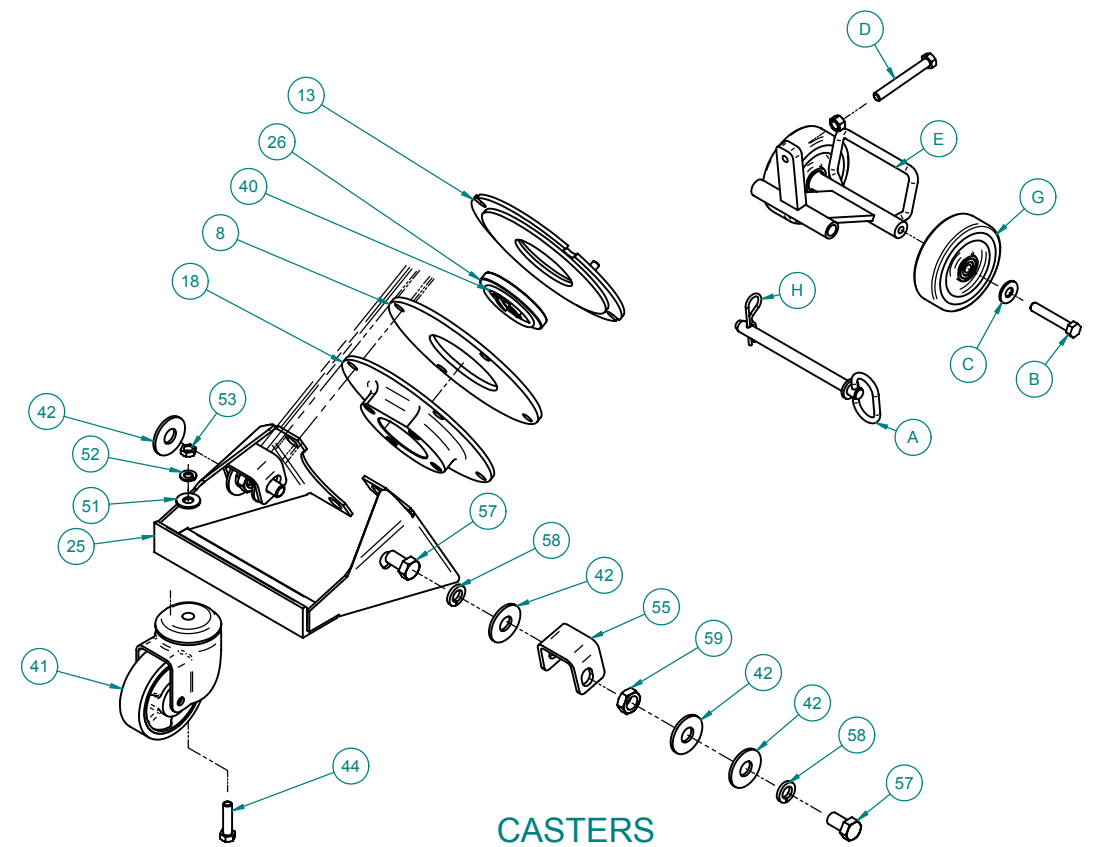
LINERS, MAGNETS AND SEALS



BLAST WHEEL AND ABRASIVE VALVE STACK-UP



VIEW OF OPERATOR CONTROLS



CASTERS