



Blastrac bv
 Utrechthaven 12
 3433 PN Nieuwegein
 Netherlands
 +31(0)30-6018866
 +31(0)30-6018333

Project description 1-10DS Dual voltage

Drawing number PJ11.01064.17
 Blastrac number E05019/ULCSA



Power supply 480Y/277V or 240V
 Input lead
 Control Voltage 230Vac/24Vdc

Year of Manufacturing 2011

Remarks As Built

Note: Production check Parts for Aproval Label

PROJECT STATE		
STATUS	DATE	INITIALS
Preliminary	24-2-2011	HvdB
Checked		
For Approval		
Approved		
Release for Production		
As Built after FAT		
As Built after SAT		

Created on 24-2-2011 by HvdB
 Edit date 18-11-2016 by KR

Number of pages 18

Modification	Date	Name	Last print
	20-12-2016		

Project name:
1-10DS DUAL VOLTAGE ULCSA
 E05019/ULCSA



Page description:
 Titelblad / voorblad

Customer: **Blastrac bv.**
 Drawing number: **PJ11.01064.17**

Table of contents

Page	Page description	Revision	Date	Edited by
1	Titelblad / voorblad		20-12-2016	
2	Table of contents		20-12-2016	
2.a	Revision sheet		17-11-2016	
3	Legend		27-10-2016	
4	Symbol library		27-10-2016	
5	Panel Layout		27-10-2016	
6	Cableset		27-10-2016	
10	Main-Voltage		18-11-2016	
11	Main-Voltage		17-11-2016	
12	Main-Voltage		27-10-2016	
13	Control-Voltage		27-10-2016	
14	Control-Voltage		27-10-2016	
20	Terminalstrip		27-10-2016	
21	Terminalstrip		27-10-2016	
22	Terminalstrip		27-10-2016	
30	Partlist		20-12-2016	
31	Partlist		20-12-2016	
32	Partlist		17-11-2016	

	Date	20-12-2016
	Ed.	HVDB
	Appr	
Modification	Date	Name
	Last print	20-12-2016

Project name:
1-10DS DUAL VOLTAGE ULCSA
 E05019/ULCSA



Page description:
 Table of contents

Customer:	Blastrac bv.	=
Drawing number:	PJ11.01064.17	+
		Page

Revision	Date	Description	Remark	Editor
01	01-04-2011	As built	Engineering Art4	HvdB
02	19-05-2011	Cable gland added for earth connection to frame	Engineering ART4	HvdB
03	26-06-2011	Lay-out changed and some wire dimensions added	Engineering ART4	HvdB
04	31-08-2011	Small changes according remarks Blastrac OKC (see visit rapport)	Engineering ART4	HvdB
05	30-11-2011	Connection changed on page 13	Engineering ART4	HvdB
06	02-01-2012	Dip switch settings changed high voltage softstarter and CSA logo added	Engineering ART4	HvdB
07	31-01-2012	Parametersettings lenze drive changed acc rmarks RK Blastrac	Engineering ART4	HvdB
08	17-08-2012	Remark added for production acc CSA surveyor remark	Engineering ART4	HvdB
09	16-10-2012	Updated	Engineering ART4	HvdB
10	31-01-2013	Wire number changed on page 12 to hour counter	Engineering ART4	HvdB
11	10-09-2013	Wire connection changed on page 13	Engineering ART4	HvdB
12	23-10-2013	Motor protection setting and motot current chand due to motor change	According client remarks	HvdB
13	29-10-2013	Wire number updated	Engineering art4	HvdB
14	30-06-2014	Partlist updated	Engineering ART4	PH
15	05-11-2014	Partlist updated	Engineering ART4	KG
16	27-10-2016	Motor current updated	Engineering ART4	HvdB
17	17-11-2016	Voltage control relais 10K1 changed	Engineering ART4	KR

WIRE COLOR

Main Voltage

<u>Phase</u>	<u>Colors</u>
L1	- Black
L2	- Black
L3	- Black
Earth / PE	- Yellow/Green

Control Voltage (AC)

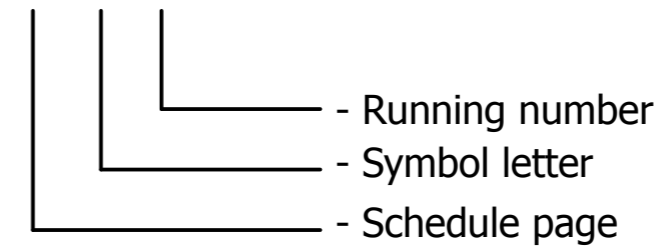
Phase	- Red
Hook-up wire	- Red
Zero	- Red

Control Voltage (DC)

(+)	- Dark Blue
Hook-up wire	- Dark Blue
(-)	- White/Blue

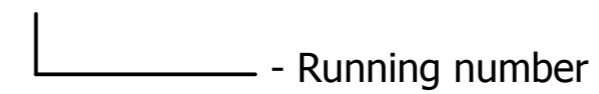
SYMBOL CODE

11 F 11



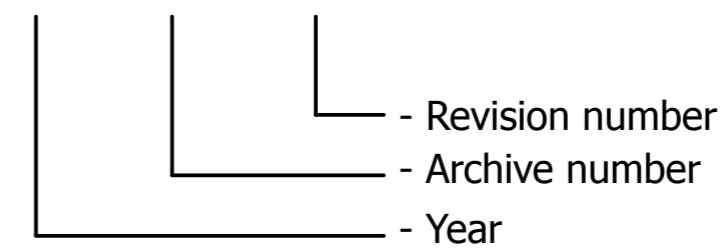
CORE CODE

11 11



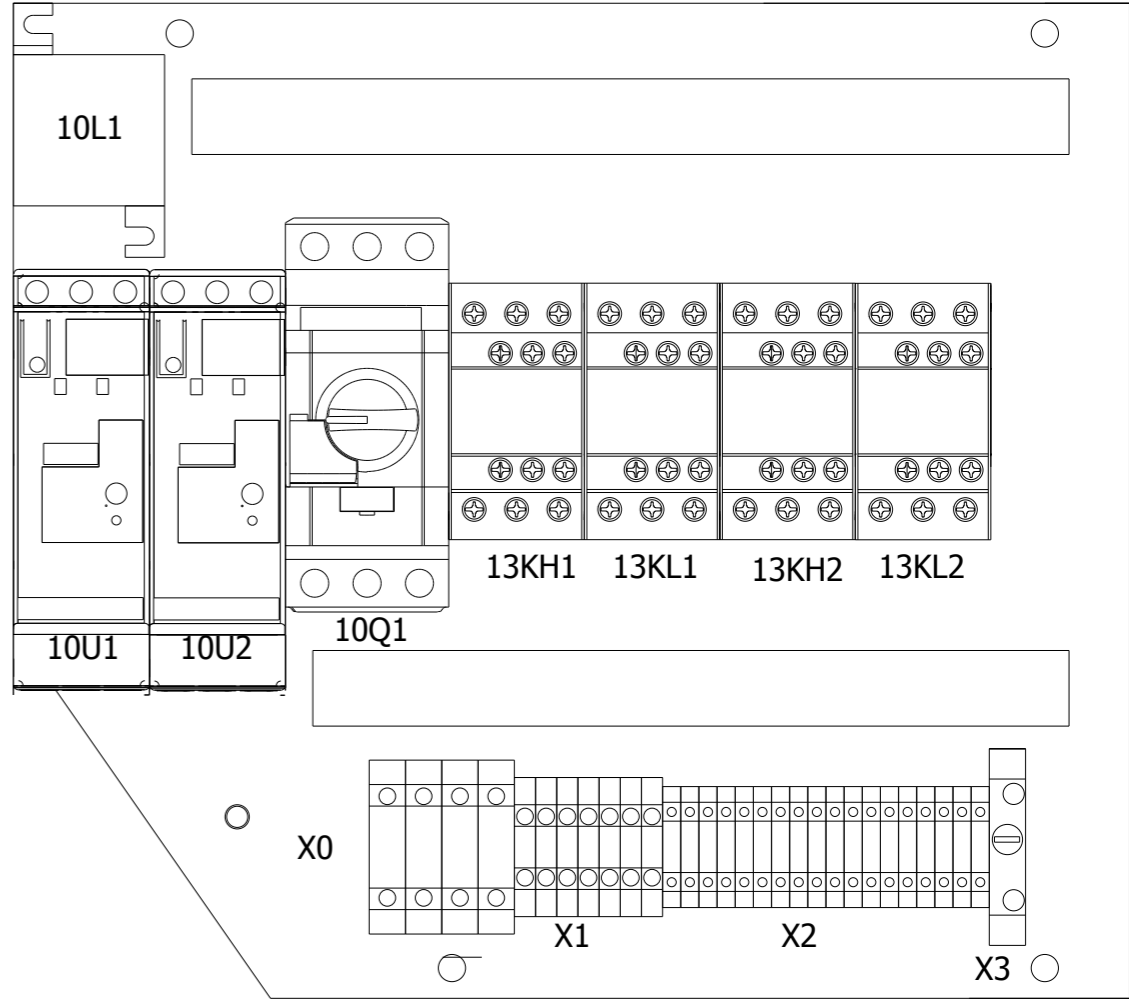
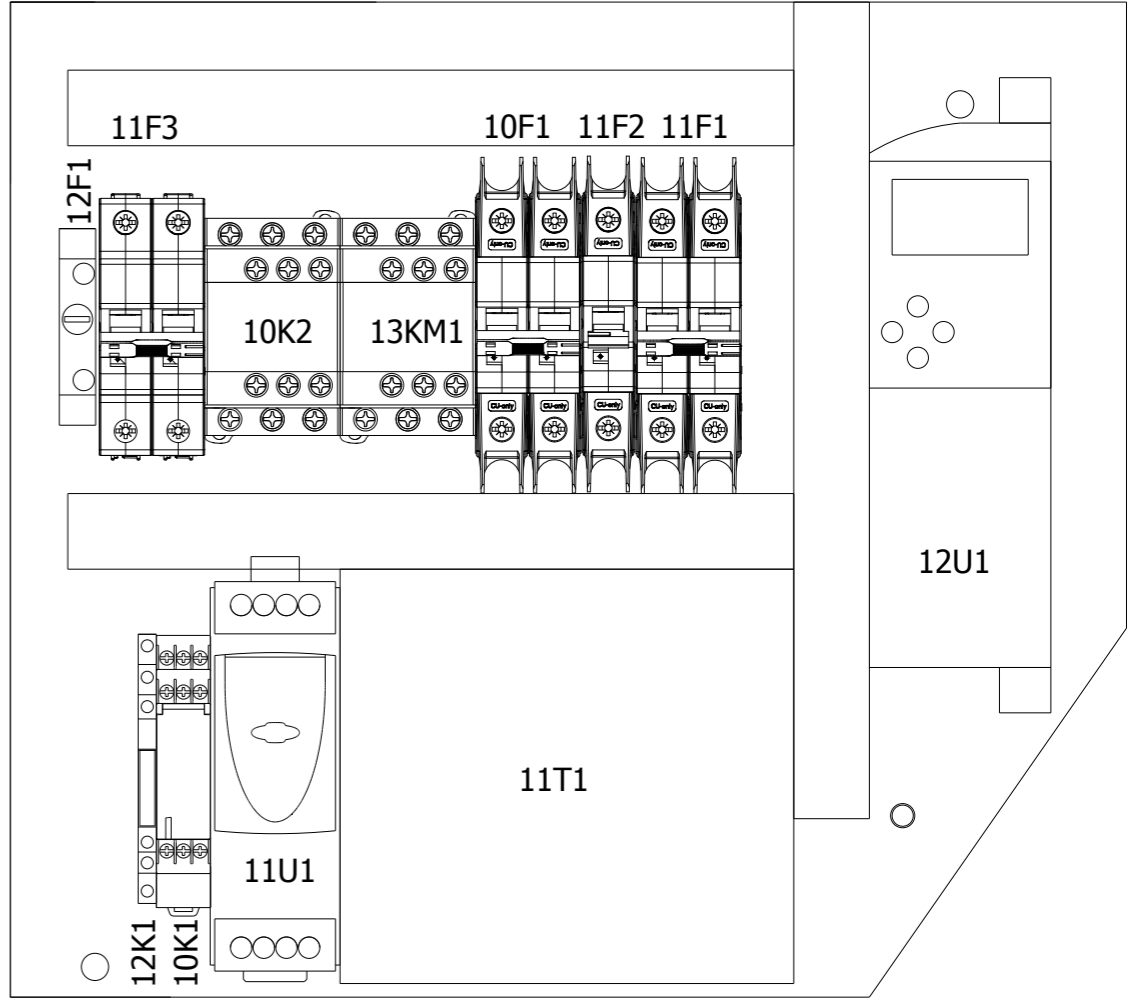
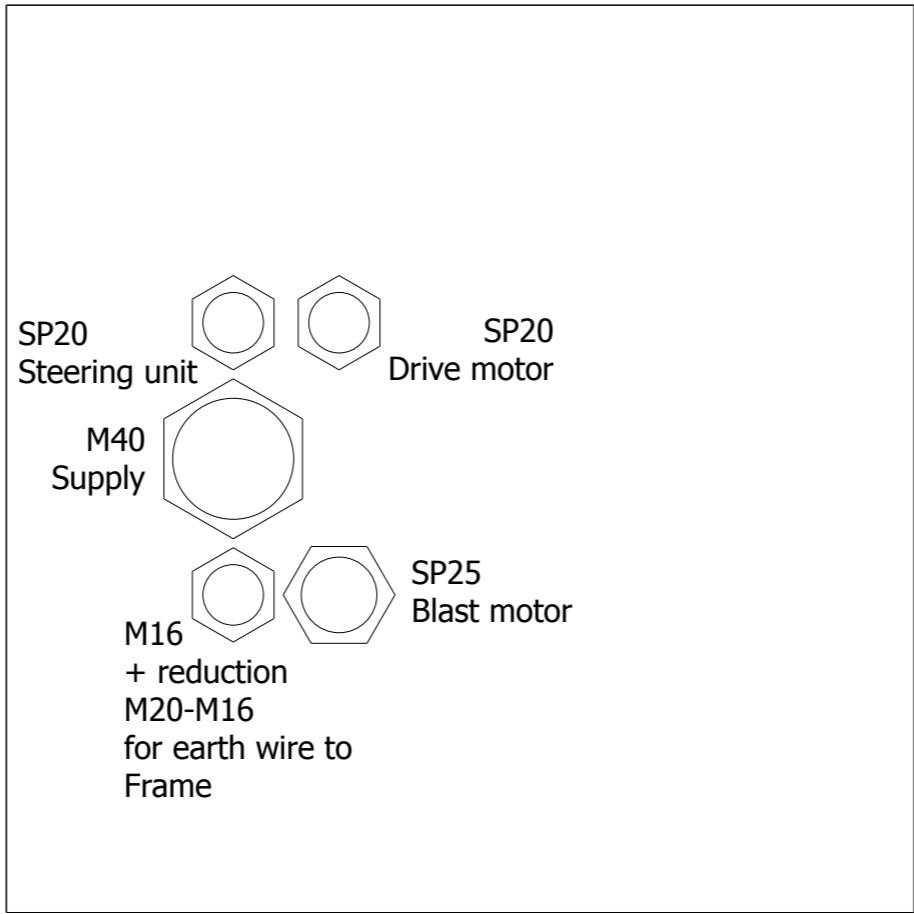
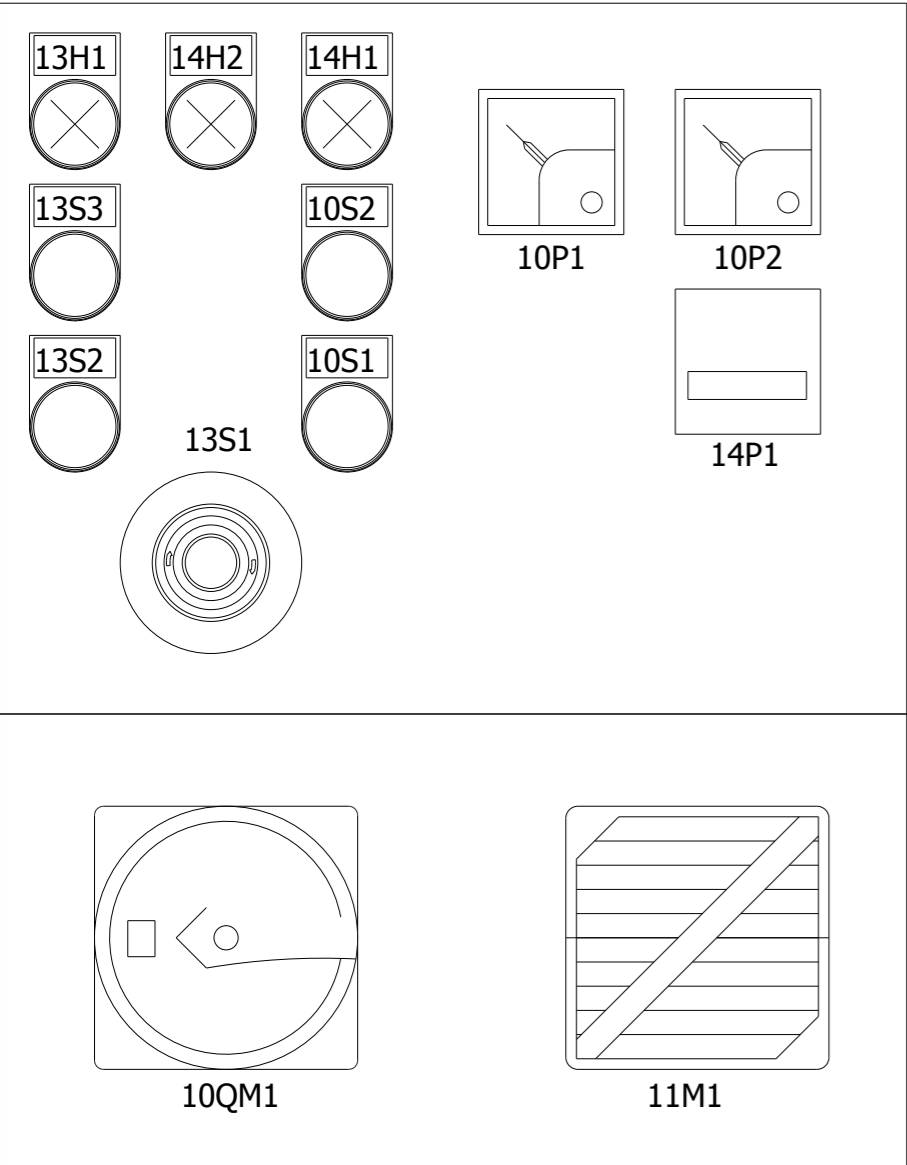
DRAWING NUMBER

PJ##.####.##



0	1	2	3	4	5	6	7	8	9
	auxiliary contact	hulpcontact		signal light	signaallamp		Safety fuse	smeltveiligheid	
	Power contact	vermogenscontact		horn	hoorn		Fused switch, three-pole	schakelbare scheid	
	NO contact, opens with time delay	maakcontact, vertraagd open		apm.meter	amperemeter		Fused disconnect, three-pole	scheid	"klapbak"
	NO contact, closes with time delay	maakcontact, vertraagd sluitend		runninghour counter	urenteller		Main switch	hoofdschakelaar	
	NC contact, opens with time delay	verbreekcontact, vertraagd open		transformer	transformator		Circuit breaker, single-pole	installatieautomaat 1-polig	
	NC contact, closes with time delay	verbreekcontact, vertraagd sluitend		Contactor coil relay coil	spoel		Circuit breaker, two-pole	installatieautomaat 2-polig	
	Pushbutton rebound	drukknop terugverend		Contactor/relay coil, with pick-up delay	Spoel met opkomvertraging		Circuit breaker, three-pole	installatieautomaat 3-polig	
	Pushbutton locking	drukknop blijvend		Contactor/relay coil, with drop-out delay	spoel met afvalvertraging		Power circuit breaker motor overload switch with switch mechanism	motorbeveiligingsschakelaar	
	Rotary switch rebound	tip draaischakelaar		Contactor pulse coil relay pulse coil,	spoel puls		Valve	elektrisch bediende klep	
	Rotary switch locking	draaischakelaar		Tube light	TL verlichting		Resistor with movable contact	regelbare weerstand	
	Emergency stop rotary unlock	noodstop met draaibare vrijgave		Resistor / Heating	weerstand verwarming		Terminal	rijgklem	
	Thermostatic switch	thermostaat hygrostaat		Socket	wandcontactdoos		Terminal with fuse	rijgklem met zekering	
	Pressure switch	drukschakelaar		Current transformer	stroomtransformator		Rectifier	gelijkrichter	
	Limit switch	eindschakelaar							
	Proximity switch	naderingsschakelaar							

CAB



Date	27-10-2016
Ed.	HVDB
Appr	
Last print	20-12-2016

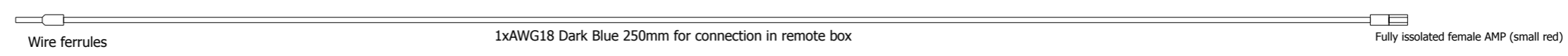
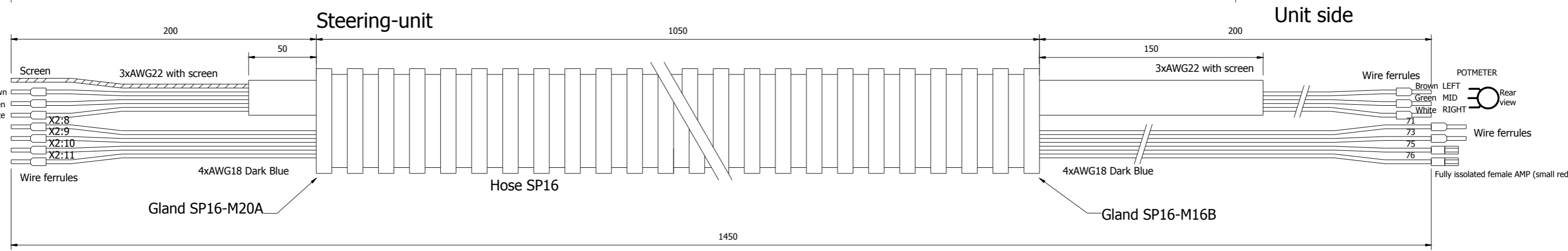
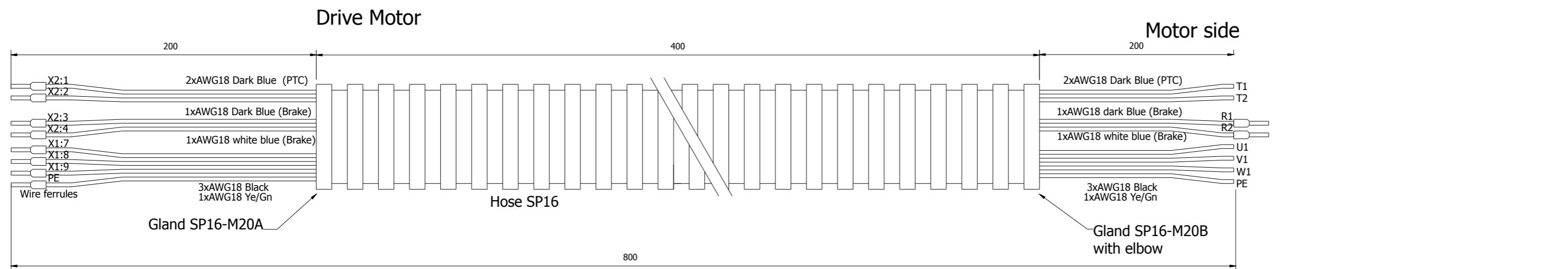
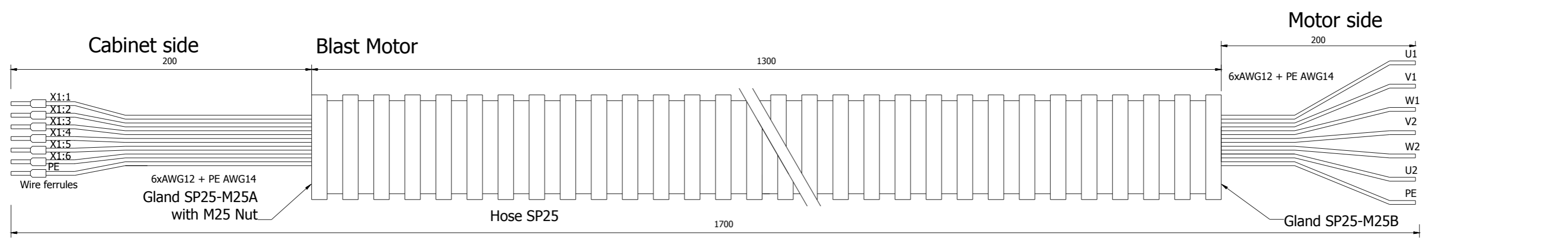
Project name:
1-10DS DUAL VOLTAGE ULCSA
 E05019/ULCSA

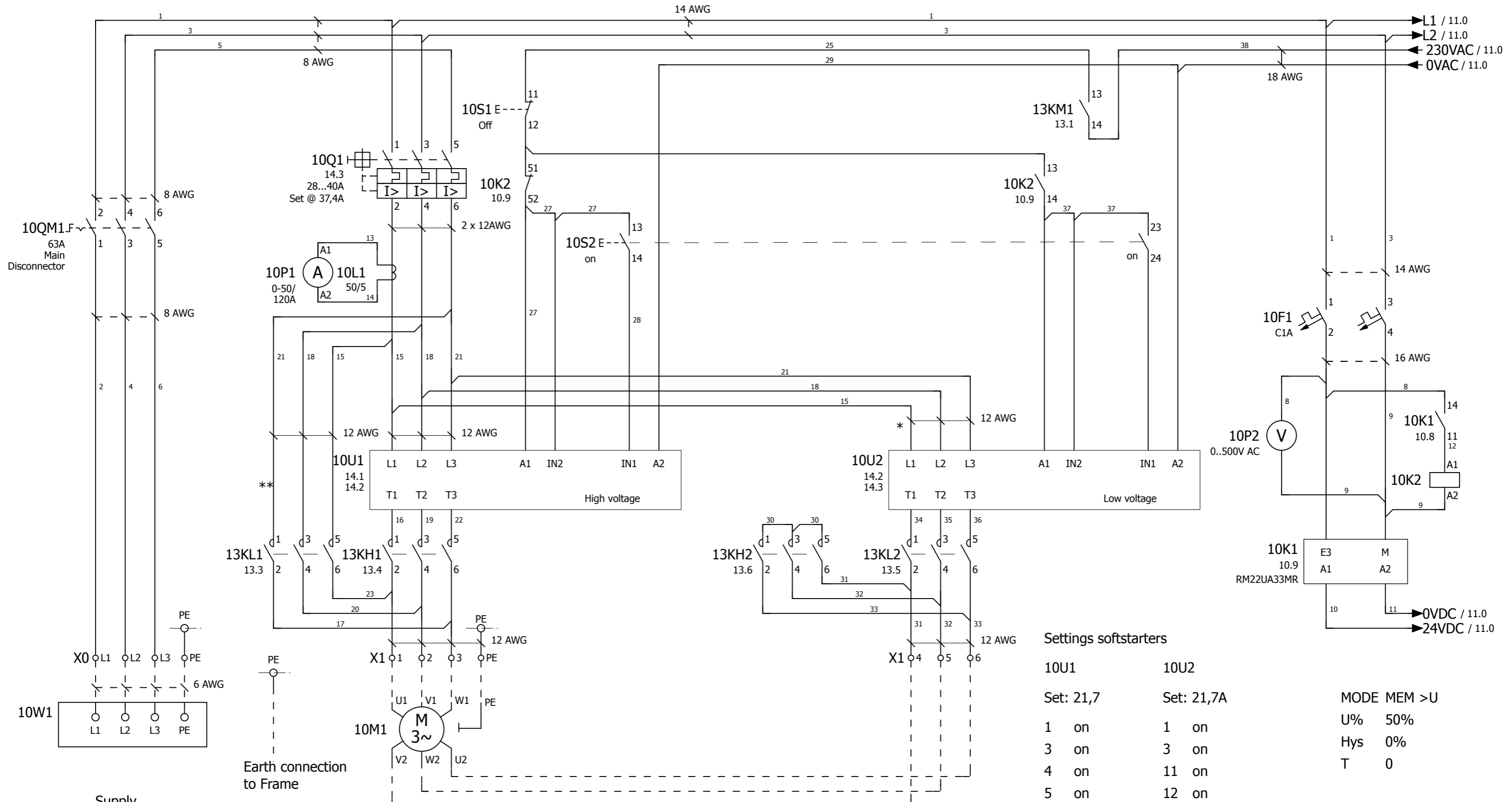


Page description:
Panel Layout

Customer:
Blastrac bv.
 Drawing number:
PJ11.01064.17

AWG





Supply
3x480Y/277V 60Hz or
3x240V 60Hz

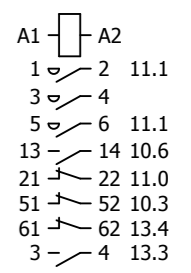
Blast motor
15Hp/480V/17,2A Y
15Hp/240V/33,2A D

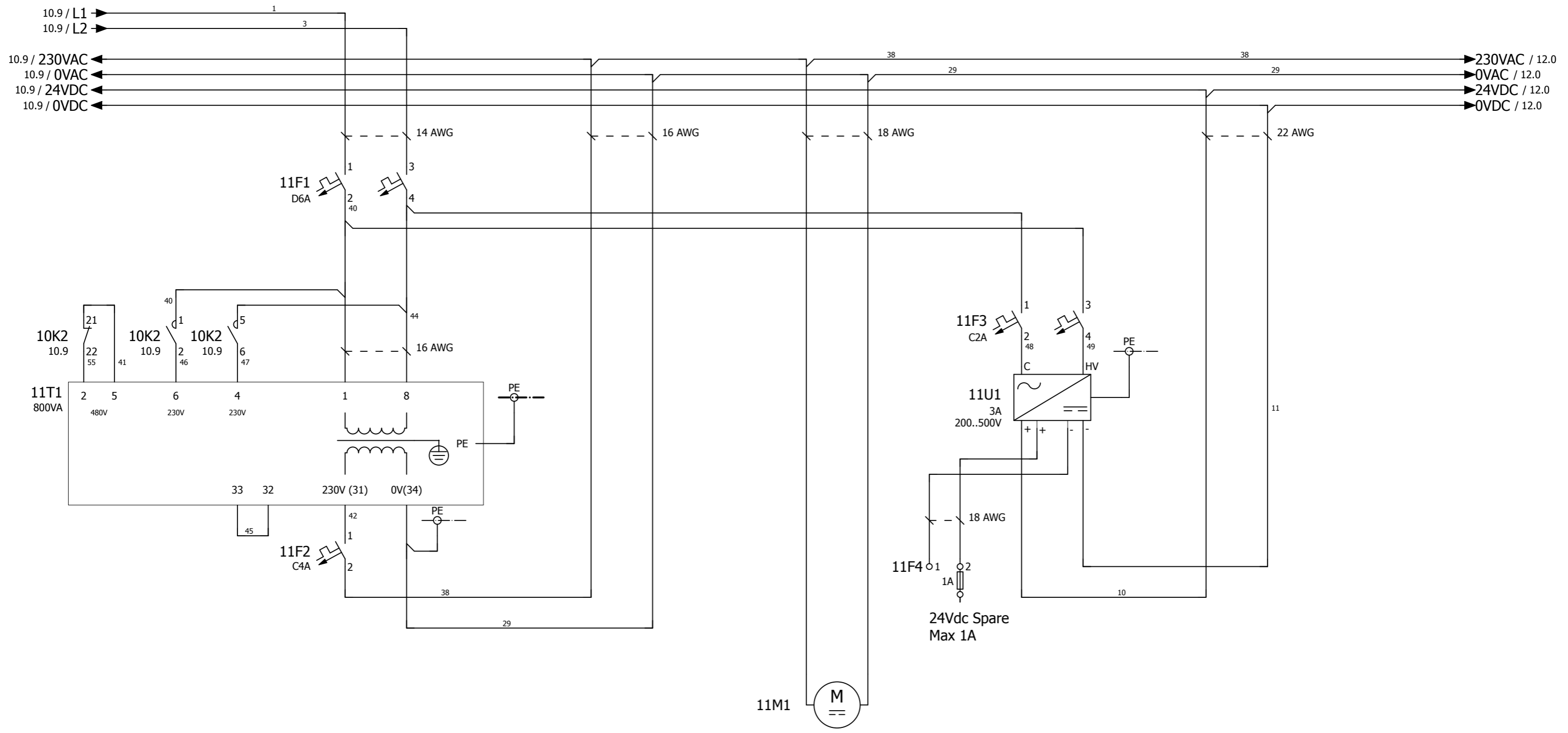
* = Wiring from 10U1 to 10U2
** = Wiring from 10Q1 to 13KL1

Settings softstarters

	10U1	10U2
Set:	21,7	21,7A
1	on	on
3	on	on
4	on	11 on
5	on	12 on
9	on	14 on
10	on	
11	on	
12	on	
14	on	
15	on	

MODE MEM >U
U% 50%
Hys 0%
T 0





10.9 / L1 →
 10.9 / L2 →
 10.9 / 230VAC ←
 10.9 / 0VAC ←
 10.9 / 24VDC ←
 10.9 / 0VDC ←

→ 230VAC / 12.0
 → 0VAC / 12.0
 → 24VDC / 12.0
 → 0VDC / 12.0

11M1

Fan
 230V AC

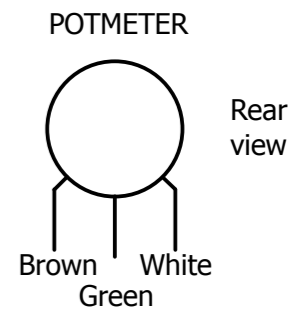
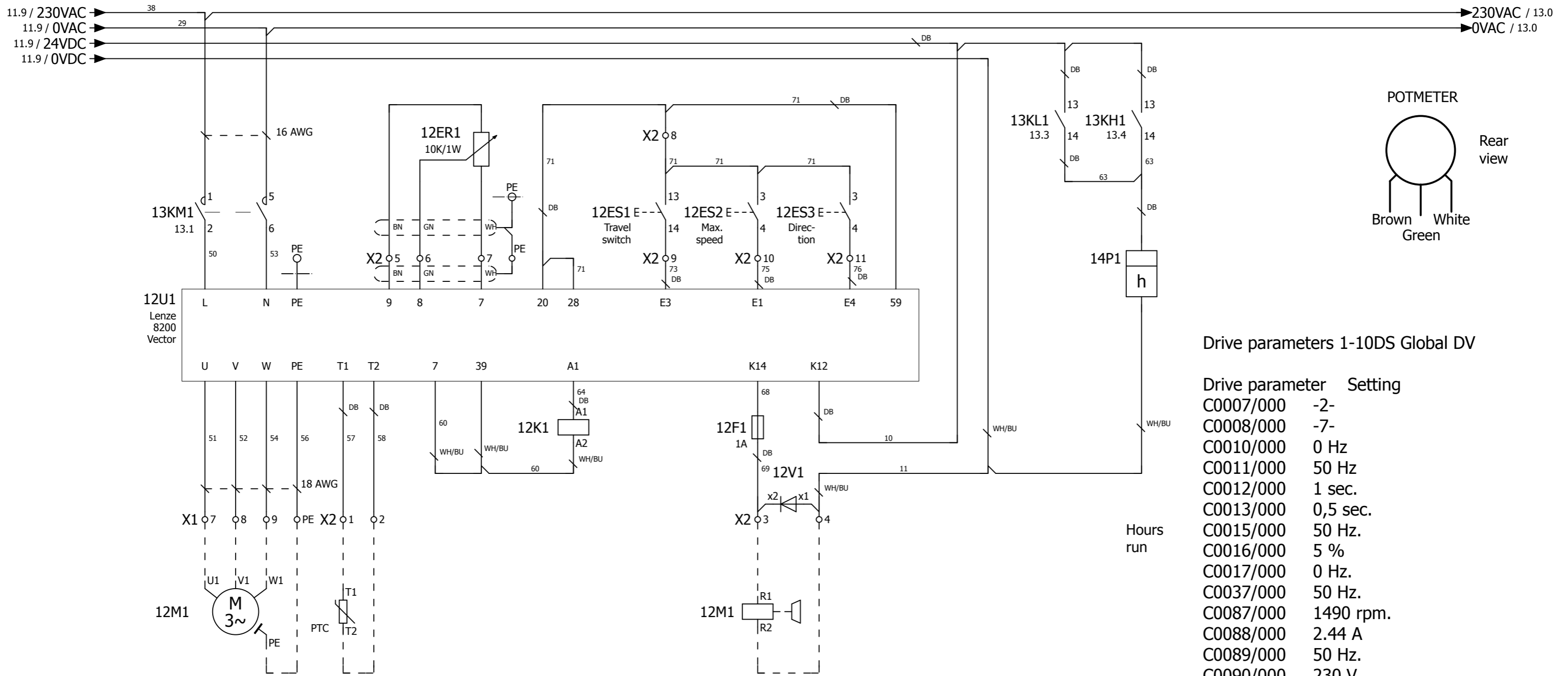
Date	17-11-2016
Ed.	KR
Appr	
Last print	20-12-2016

Project name:
1-10DS DUAL VOLTAGE ULCSA
 E05019/ULCSA



Page description:
 Main-Voltage

Customer:	Blastrac bv.	=
Drawing number:	PJ11.01064.17	+
		Page 11



Drive parameters 1-10DS Global DV

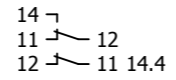
Drive parameter	Setting
C0007/000	-2-
C0008/000	-7-
C0010/000	0 Hz
C0011/000	50 Hz
C0012/000	1 sec.
C0013/000	0,5 sec.
C0015/000	50 Hz.
C0016/000	5 %
C0017/000	0 Hz.
C0037/000	50 Hz.
C0087/000	1490 rpm.
C0088/000	2.44 A
C0089/000	50 Hz.
C0090/000	230 V
C0091/000	0.77
C0105/000	0.9 sec.
C0119/000	-1-
C0142/000	-3-
C0148/000	-1- (*)
C0410/001	-1-
C0415/001	-6-
C0415/002	-25-
C0416/000	-2-
C0417/001	-1-

Drivemotor
0,75 Hp/480V/1,4A
0,75 Hp/277V/2,4A
Incl.
Thermistor

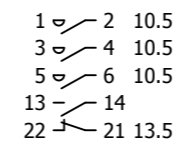
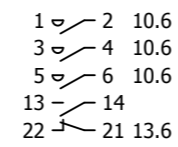
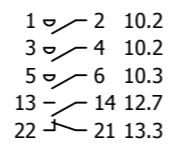
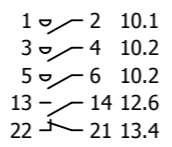
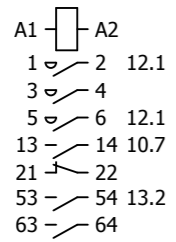
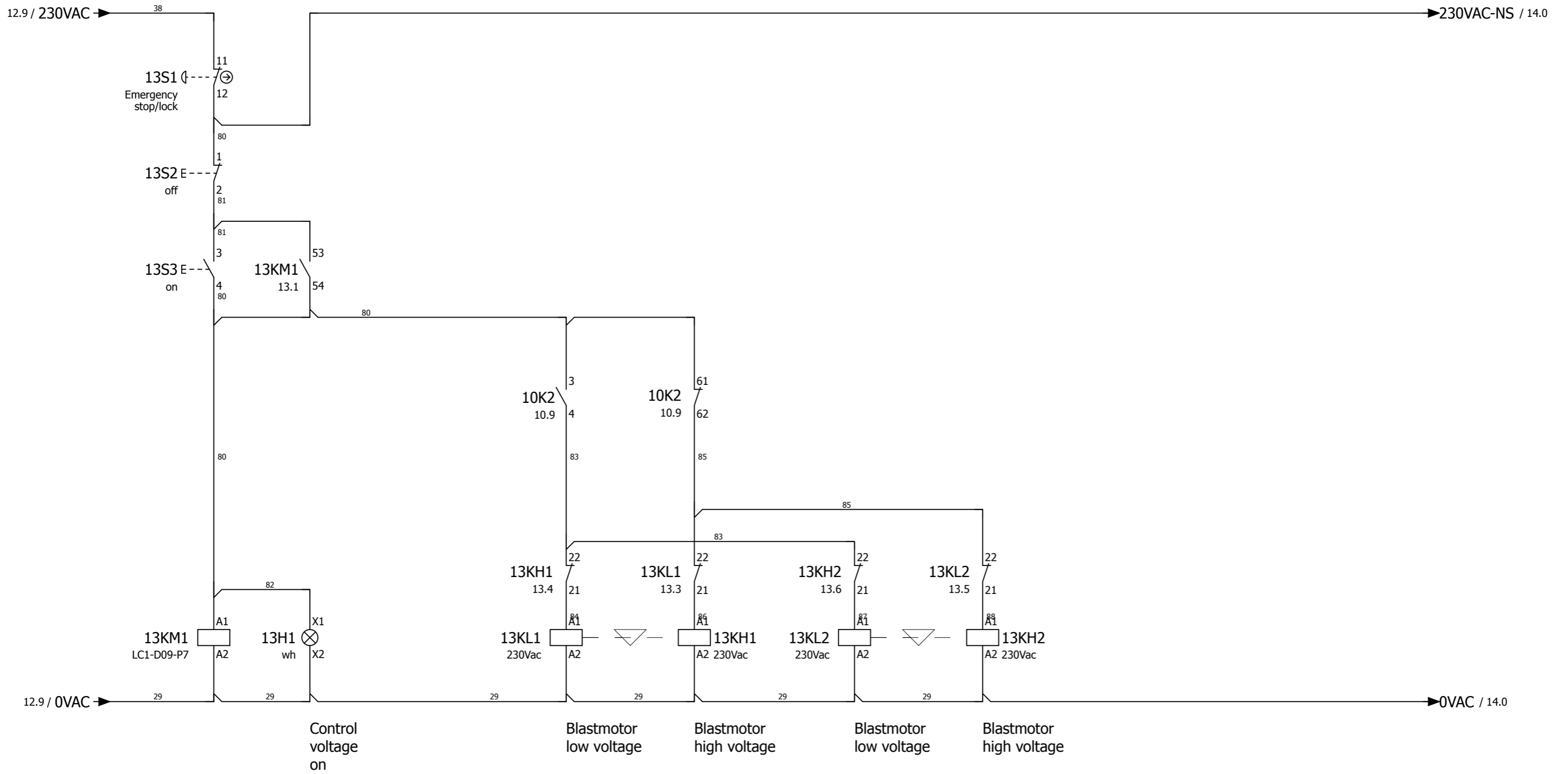
Failure
drive

Brake
24Vdc

* Connect drivemotor
in delta



(*) Motor identification will be 0 after applying



Date	27-10-2016
Ed.	HVDB
Appr	
Last print	20-12-2016

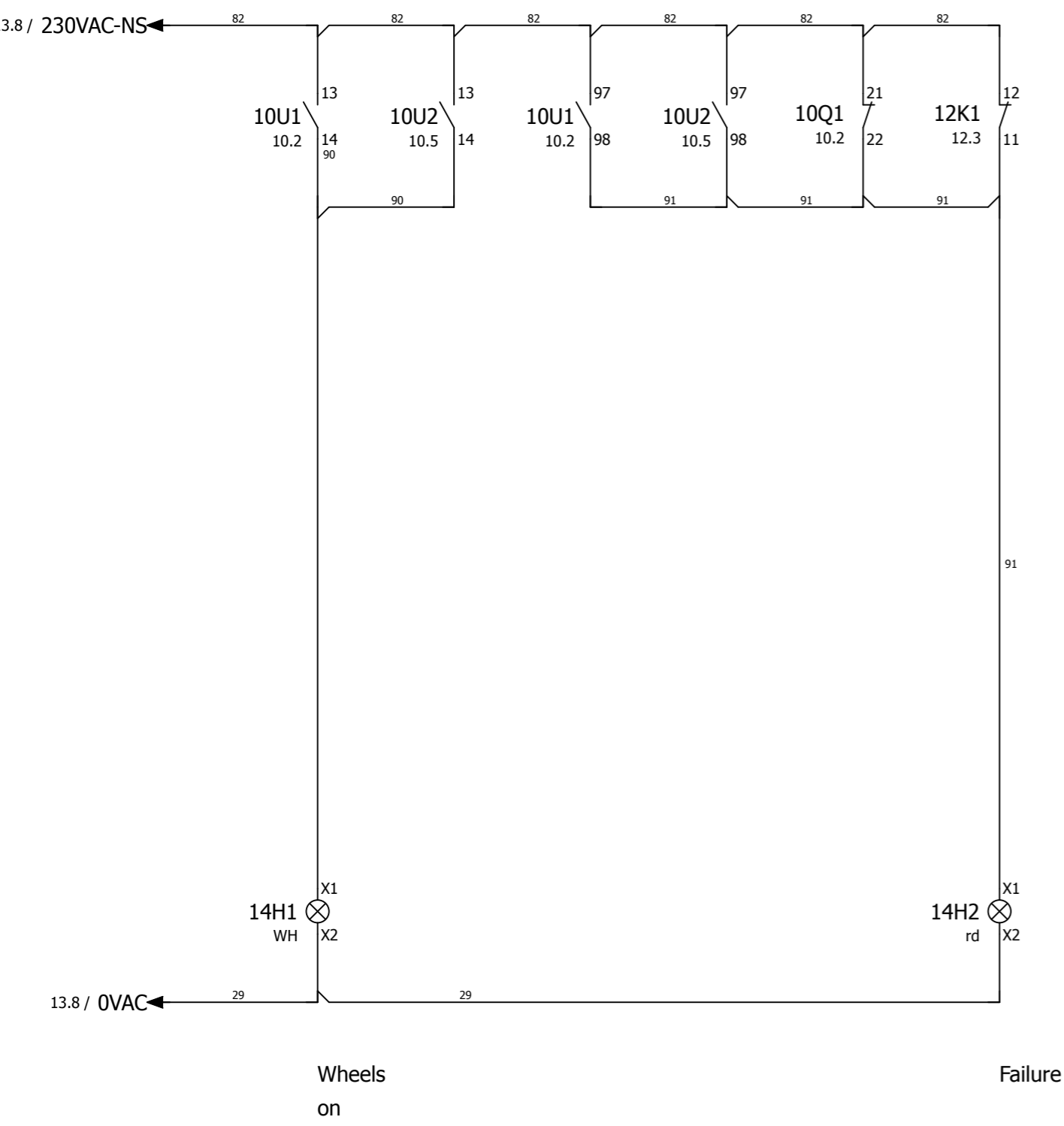
Project name:	1-10DS DUAL VOLTAGE ULCSA
	E05019/ULCSA



Page description:	Control-Voltage
-------------------	-----------------

Customer:	Blastrac bv.
Drawing number:	PJ11.01064.17

Page	13
------	----



Date	27-10-2016	
Ed.	HVDB	
Appr		
Last print	20-12-2016	
Modification	Date	Name

Project name:
1-10DS DUAL VOLTAGE ULCSA
 E05019/ULCSA



Page description:
 Control-Voltage

Customer: **Blastrac bv.**
 Drawing number: **PJ11.01064.17**

Terminal diagram

F13_001

Function text				Strip X0							Page / column			
				Cable name		Cable type		Connection point	Terminal	Jumper				
Supply 3x480Y/277V 60Hz or 3x240V 60Hz = = =				10W1		L1	L1	.	10QM1	1			10.0	
				10W1		L2	L2	.	10QM1	3			10.0	
				10W1		L3	L3	.	10QM1	5			10.1	
				10W1		PE	PE	.	PE	PE			10.1	

Terminal diagram

F13_001

Function text				Cable name	Strip X1							Cable name	Page / column			
				Cable type	Target designation	Connection point	Terminal	Jumper	Target designation	Connection point	Cable type					
Blastmotor					10M1	U1	1		13KH1	2					10.2	
=					10M1	V1	2		13KH1	4					10.2	
=					10M1	W1	3		13KH1	6					10.3	
=					10M1	V2	4		13KL2	2					10.6	
									13KH2	6						
Blastmotor					10M1	W2	5		13KL2	4					10.6	
									13KH2	4						
Blastmotor					10M1	U2	6		13KL2	6					10.6	
									13KH2	2						
Blastmotor					10M1	PE	PE	,	PE						10.3	
Drivemotor					12M1	U1	7	,	12U1	U					12.1	
=					12M1	V1	8	,	12U1	V					12.1	
=					12M1	W1	9	,	12U1	W					12.1	
=					12M1	PE	PE	,	12U1	PE					12.2	

Terminal diagram

F13_001

Function text	Cable name	Strip X2							Cable name	Cable type	Page / column
		Target designation	Connection point	Terminal	Jumper	Target designation	Connection point				
Thermistor		12M1	T1	1	.	12U1	T1			12.2	
=		12M1	T2	2	.	12U1	T2			12.2	
Brake		12M1	R1	3	.	12F1				12.4	
						12V1	x2				
Brake		12M1	R2	4	.	11U1	-			12.5	
						12V1	x1				
Speed		12U1	9	5	.	12ER1				12.2	
=		12U1	8	6	.	12ER1				12.2	
=		12U1	7	7	.	12ER1				12.3	
=				PE		PE				12.3	
+20V		12ES1	13	8	.	12U1	20			12.4	
						12U1	59				
Travel switch		12U1	E3	9	.	12ES1	14			12.4	
Max. speed		12U1	E1	10	.	12ES2	4			12.4	
Direction		12U1	E4	11	.	12ES3	4			12.5	

Parts list

device tag	Quantity	designation	Type number	Brand	Blastrac number
CAB	1	1-10/15/20/20D univesel empty	1-10DS EMPTY	Haewa	E00422 / E01654 / E07833
CAB	2	MOUNT.DRAIN WxH 25x80 MM vpp=56	T1-E 25X80 MONT.GOOT	Generic	E07834
CAB	1	M.rail verz.geel,7,5x35MM 2M	TS35 MONT.RAIL SLEUF	Generic	E07835
CAB	2	overdrive-forward zelfkl.60*10 witte pl/zw letter	RESOPAL 2-20DT/1	Generic	E07836
CAB	1	speed control zelfkl.45*10 witte pl/zw letter	RESOPAL 2-20DT/2	Generic	E07837
CAB	1	Bocht 90 M20 inw* M20 uitw	B/PG13/90	Generic	E07838
CAB	2	FITTING @16*M20	SP16/M20/A	Adaptaflex	E07839
CAB	2	FITTING @16*M20 DRAAIBAAR	SP16/M20/B	Adaptaflex	E03508
CAB	2	Bescherm slang metaal + pvc 16*13 zwart	SP16/ZWART	Adaptaflex	E00559
CAB	1	FITTING @25*M25 vast	SP25/M25/A	Adaptaflex	E07840
CAB	1	FITTING @25*M25 DRAAIBAAR	SP25/M25/B	Adaptaflex	E07841
CAB	1	Bescherm slang metaal + pvc 25*21.4 zwart	SP25/ZWART	Adaptaflex	E00560
CAB	1	Cable gland plug M20*1.5 brass, nickel-plated	WARTEL BLINDSTOP M20	Jacob	E07842
CAB	1	Cable gland M40*1.5 (PG29/36) brass, nickel-plated	WARTEL M40*1.5	Jacob	E00409
CAB	3	Cable gland nut M20*1.5 brass, nickel-plated	WARTELMOER M20*1.5	Jacob	E00406_1
CAB	1	Cable gland nut M25*1.5 brass, nickel-plated	WARTELMOER M25*1.5	Jacob	E00407_1
CAB	1	Cable gland nut M40*1.5 brass, nickel-plated	WARTELMOER M40*1.5	Jacob	E00409_1
CAB	7	Internal wire black AWG8 10mm2 UL-CSA	AWG 8 ZW	LAPP	E07867
CAB	1	Internal wire yellow/green AWG8 10mm2 UL-CSA	AWG 8 GG	LAPP	E07866
CAB	12	Internal wire black AWG12 4mm2 UL-CSA	AWG 12 ZW	LAPP	E08110
CAB	20	Internal wire black AWG14 2.5mm2 UL-CSA	AWG 14 ZWART	LAPP	E07843
CAB	10	Internal wire black AWG16 1.5mm2 UL-CSA	AWG 16 ZWART	LAPP	E07947
CAB	20	Internal wire red AWG16 1.5mm2 UL-CSA	AWG 16 ROOD	LAPP	E10914
CAB	10	Internal wire darkblue AWG18 1.0mm2 UL-CSA	AWG 18 D BL.	LAPP	E08154
CAB	10	Internal wire white/blue AWG18 1.0mm2 UL-CSA	AWG 18 WH/BL.	LAPP	E08155
CAB	20	Internal wire darkblue AWG22 0.5mm2 UL-CSA	AWG 22 D BL.	LAPP	E08012
CAB	10	Internal wire white/blue AWG22 0.5mm2 UL-CSA	AWG 22 WH/BL.	LAPP	E08016
CAB	50	Ferrule 0.5mm2 white insulated	G 488 MONT.ADERHULS	Calpe	E07848
CAB	40	Ferrule 1mm2 red insulated	G 490	Calpe	E07849
CAB	70	Ferrule 2x1mm2 red insulated	G 490-TWIN MONT.A.H.	Calpe	E07850
CAB	50	Ferrule 1,5mm2 black insulated	G 491 MONT.A.H.	Calpe	E07851
CAB	20	Ferrule 2,5mm2 grey insulated	G 492 MONT.ADERHULS	Calpe	E07852
CAB	20	Ferrule 2x2,5mm2 blue insulated	G 492-TWIN MONT.A.H.	Calpe	E07853
CAB	18	Ferrule 6mm2 green insulated	G 494 MONT.A.H.	Calpe	E07865
CAB	10	Ferrule 2x6mm2 yellow insulated	G 494-TWIN MONT.A.H.	Calpe	E08140
CAB	15	Ferrule 10mm2 brown insulated	G 495 MONT.ADERH.	Calpe	E07855
CAB	10	Ferrule 2x10mm2 brown insulated	G 495-TWIN MONT.A.H.	Calpe	E08157
CAB	1	1-10DS dual voltage,incl.kleine stickers	STICKER 1-10DS DUAL VOLTAGE	Generic	E07864
CAB	1	Reducer M20*1.5 ext. M16*1.5 int. brass nickel plated	REDUCTIERING M20M16	Jacob	E08095
CAB	1	Cabel gland M16*1.5 (PG9/11) IP68 brass, nickel-plated 50616	WARTEL M16*1.5	Jacob	E00405
CAB	1	Cable gland nut M16*1.5 brass, nickel-plated	WARTELMOER M16*1.5	Jacob	E00405_1
12ER1	1	Potm. 10KOhm. 4W-500V	POTMETER 10 K OHM	Generic	454795
12ER1	1	Schroef aansluiting potmeter	POTMETER PRINT KLEM	Wieland	E05088
12ER1	1	Head Ø22 + mounting base for potentiometer	ZB4-BD912	Schneider Electric	E00866/2
12ES1	1	Limit switch XCKP - steel roller plunger - 1NO+1NC - snap -	XCK-P2102P16	Schneider Electric	454796
12ES2	1	White square flush complete pushbutton Ø16 spring return 1NO	XB6-CA11B	Schneider Electric	E00867
12ES3	1	White square flush complete pushbutton Ø16 spring return 1NO	XB6-CA11B	Schneider Electric	E00867
10F1	1	Circuit breaker AB 2P 1A C-kar UL 489 480/277V	C60N-1489-M2C010	Allen Bradley	E07824
11F1	1	Circuit breaker AB 2P 6A D-kar UL 489 480/277V	C60N-1489-M2D060	Allen Bradley	E07816
11F2	1	Circuit breaker AB 1P 4A C-kar UL 489 480/277V	C60N-1489-M1C040	Allen Bradley	E07962
11F3	1	Circuit breaker AB 2P 2A C-kar	C60N-1492-SPM2C020	Allen Bradley	E07904
11F4	1	ZEK.SMELTV. 5*20MM SLOW 1A	ZEK.GLAS TRAAG 1 A	Generic	E07815
11F4	1	Conn. railkl. 4MM2 grijs WK4/U	VU4-4 GRIJS CONN.R.K	Wieland	E07829
11F4	1	ZEK.KLEM 10MM2 GRIJS 5*20MM	VUSI 4-10M C.ZEK.KLM	Wieland	E01321
11F4	1	VOOR VUSI 4-10	VASI 4-10 C.SCHOT	Wieland	E05154
11F4	1	Endbracket V4 small 9708/2S35	EINDSTEUN V4 CON.ACC	Wieland	E07828

			Date	20-12-2016	Project name: 1-10DS DUAL VOLTAGE ULCSA E05019/ULCSA		Page description:		Partlist	Customer:		Blastrac bv.		=
			Ed.	HVDB										+
Modification	Date	Name	Last print	20-12-2016						Drawing number:		PJ11.01064.17		Page

Parts list

device tag	Quantity	designation	Type number	Brand	Blastrac number
12F1	1	ZEK.KLEM 10MM2 GRIJS 5*20MM	VUSI 4-10M C.ZEK.KLM	Wieland	E01321
12F1	1	VOOR VUSI 4-10	VASI 4-10 C.SCHOT	Wieland	E05154
12F1	1	ZEK.SMELTV. 5*20MM SLOW 1A	ZEK.GLAS TRAAAG 1 A	Generic	E07815
13H1	1	tekstpl.houder 27*13 h=45 elfi	F6300	Schneider Electric	E07831
13H1	1	White pilot light head Ø22 plain lens for integral LED	ZB5-AV013	Schneider Electric	333-3227 / 333-3454
13H1	1	White light block with body/fixing collar integral LED 230.2	ZB5-AVM1	Schneider Electric	E05093
14H1	1	tekstpl.houder 27*13 h=45 elfi	F6300	Schneider Electric	E07831
14H1	1	White pilot light head Ø22 plain lens for integral LED	ZB5-AV013	Schneider Electric	333-3227 / 333-3454
14H1	1	White light block with body/fixing collar integral LED 230.2	ZB5-AVM1	Schneider Electric	E05093
14H2	1	tekstpl.houder 27*13 h=45 elfi	F6300	Schneider Electric	E07831
14H2	1	Red pilot light head Ø22 plain lens for integral LED	ZB5-AV043	Schneider Electric	E00360
14H2	1	Red light block with body/fixing collar integral LED 230.240	ZB5-AVM4	Schneider Electric	E07817
10K1	1	VOLTAGE MONITORING 2w30-300/500V 24-240V	RM22UA33MR	Schneider Electric	E10910
10K2	1	Contactactor 4.0kW 400vac 1NO/1NC coil 230Vac	LC1-D09-P7	Schneider Electric	333-3384 / 500-3391-E
10K2	1	Auxiliary contact block - 2 NC - screw-clamps terminals	LAD-N02	Schneider Electric	E07818
12K1	1	Interface relais with socket 1CO 6A 24Vdc	38.51.7.024.0050	Finder	E05007
13KH1	1	Contactactor 11kw 400VAC coil 230VAC 1NO/1NC	LC1-D25-P7	Schneider Electric	E01609
13KH2	1	Contactactor 11kw 400VAC coil 230VAC 1NO/1NC	LC1-D25-P7	Schneider Electric	E01609
13KL1	1	Contactactor 11kw 400VAC coil 230VAC 1NO/1NC	LC1-D25-P7	Schneider Electric	E01609
13KL1	1	Reversing switch kit	LAD-9R1V	Schneider Electric B.V.	E07820
13KL2	1	Contactactor 11kw 400VAC coil 230VAC 1NO/1NC	LC1-D25-P7	Schneider Electric	E01609
13KM1	1	Contactactor 4.0kW 400vac 1NO/1NC coil 230Vac	LC1-D09-P7	Schneider Electric	333-3384 / 500-3391-E
13KM1	1	Auxiliary contact block - 2 NO - screw-clamps terminals	LAD-N20	Schneider Electric	500-3394
10L1	1	Prim. 50/5A 2.5VA/KI.3 UL-CSA	M55E-94E-NTLSDL-C7	Crompton	E00491
11M1	1	VENTILATOR80*80*38MM 240VAC	FAN 80*80*38	PABST	E05140
11M1	2	UITL.FILT.MONT.UITSP. 80*80MM	221-336 KAST KL.BEH.	PABST	E00283
11M1	2	Finger Guard 80mm.	250-1612 KAST KL.BEH	PABST	E10802
10P1	1	Amperemeter 50A/5A 48*48 met cornermask E242-75AG	IQ/EQ48 50A/5A	Crompton	E07869
10P1	1	IV48 48*48mm, IP-20	IQ/EQ 48 AFDEKKAP	Crompton	E07822
10P2	1	Voltmeter 500V 48*48 met cornermask E242-75VG Crompton	IQ/EQ48 500V	Crompton	BG007854
14P1	1	Hour counter 48*48mm 10-36VDC UL/CSA	M242-157-G-NR-ZH-DC		E08240
10Q1	1	Motor Circuit Breaker 40Amp 28...40A	SIEM 3RV1031-4FA10	Siemens	E07966
10Q1	1	Auxiliary contact for 3RV10 circuit breaker 1NC+1NO	SIEM 3RV1901-1E	Siemens	E10804
10QM1	1	Hoofdschak. 63A, 3P niet vergrendelbaar	P3-63/E	Kraus Naimer	E07967
10S1	1	Pushbutton head Ø22 spring return without cap	ZB5-AA0	Schneider Electric	E01318
10S1	1	Single contact block with body/fixing collar 1NC screw clamp	ZB5-AZ102	Schneider Electric	E00357
10S1	1	Red cap marked STOP for circular pushbutton Ø22	ZBA-434	Schneider Electric	E01353
10S1	1	tekstpl.houder 27*13 h=45 elfi	F6300	Schneider Electric	E07831
10S2	1	tekstpl.houder 27*13 h=45 elfi	F6300	Schneider Electric	E07831
10S2	1	Pushbutton head Ø22 spring return without cap	ZB5-AA0	Schneider Electric	E01318
10S2	1	Single contact block with body/fixing collar 2NO screw clamp	ZB5-AZ103	Schneider Electric	E08169
10S2	1	Green cap marked START for circular pushbutton Ø22	ZBA-333	Schneider Electric	E05078
13S1	1	Red Ø40 Emergency switching off pushbutton head Ø22 latching	ZB4-BS844	Schneider Electric	E08437
13S1	1	Single contact block with body/fixing collar 1NC screw clamp	ZB4-BZ102	Schneider Electric	B21153
13S1	1	Sticker emergency stop yellow/red	EMERGENCY STOP STICKER	De Vries	E07832
13S2	1	tekstpl.houder 27*13 h=45 elfi	F6300	Schneider Electric	E07831
13S2	1	Pushbutton head Ø22 spring return without cap	ZB5-AA0	Schneider Electric	E01318
13S2	1	Red cap marked STOP for circular pushbutton Ø22	ZBA-434	Schneider Electric	E01353
13S2	1	Single contact block with body/fixing collar 1NC screw clamp	ZB5-AZ102	Schneider Electric	E00357
13S3	1	tekstpl.houder 27*13 h=45 elfi	F6300	Schneider Electric	E07831
13S3	1	Pushbutton head Ø22 spring return without cap	ZB5-AA0	Schneider Electric	E01318
13S3	1	Green cap marked START for circular pushbutton Ø22	ZBA-333	Schneider Electric	E05078
13S3	1	Single contact block with body/fixing collar 1NO screw clamp	ZB5-AZ101	Schneider Electric	333-3224
11T1	1	Transformator 440/230V ac 800VA	SIEM 4AM55 42-8DD40-0FA0	Siemens	E07872
10U1	1	Softst.3-f 25A 200-480V/240 AC/DC (11kW)	150-C25NBD	Allen Bradley	E07871
10U2	1	Softst.3-f 25A 200-480V/240 AC/DC (11kW)	150-C25NBD	Allen Bradley	E07871

Date	20-12-2016	Project name:	1-10DS DUAL VOLTAGE ULCSA	Page description:	Partlist	Customer:	Blastrac bv.	=
Ed.	HVDB		E05019/ULCSA					+
Appr						Drawing number:	PJ11.01064.17	Page
Modification	Date	Name	Last print	20-12-2016				31

