



Blastrac bv
Utrecht haven 12
3433 PN Nieuwegein
Netherlands
+31(0)30-6018866
+31(0)30-6018333

Project description 1-15 DS Dual voltage E6540_UL230

Drawing number PJ09.01025T1CF10

Blastrac number E6540/UL230

Power supply 480Y/277V

Input lead

Control Voltage 24Vdc

Year of Manufacturing 2009

Remarks As Built

Created on 25-11-2009 by hvandenbrink

Edit date 26-1-2011 by

Number of pages 19

				Date	26-1-2011	Project name:		1-15 DS Dual voltage E6540_UL230				Page description:		Titelblad / voorblad		Customer:		Blastrac bv.		=	
				Ed.		E6540/UL230										Drawing number:		PJ09.01025T1CF10		+	
Modification				Date	Name	Last print	8-2-2011											Page		1	

Table of contents

Page	Page description	Revision	Date	Edited by
1	Titelblad / voorblad		26-1-2011	HvdB
2	Table of contents		26-1-2011	HvdB
2.a	Revision sheet		26-1-2011	HvdB
3	Legend		6-4-2010	HVDB
4	Symbol library		6-4-2010	HVDB
5	Panel Layout		26-1-2011	HvdB
6	Cableset		11-11-2010	HVDB
10	Main-Voltage		26-1-2011	HvdB
11	Main-Voltage		26-1-2011	HvdB
12	Main-Voltage		26-1-2011	HvdB
13	Control-Voltage		26-1-2011	HvdB
14	Control-Voltage		26-1-2011	HvdB
20	Klemmenaansluitlijst X0		25-1-2011	HvdB
21	Klemmenaansluitlijst X1		25-1-2011	HvdB
22	Klemmenaansluitlijst X2		25-1-2011	HvdB
30	Partlist		26-1-2011	HvdB
31	Partlist		26-1-2011	HvdB
32	Partlist		26-1-2011	HvdB

Revision	Date	Description	Remark	Editor
02	17-12-2009	As Built	Engineering ART4	HvdB
03	13-04-2010	Settings changed after test at Blastrac	Engineering ART4	HvdB
04	21-04-2010	Cable set added	Engineering ART4	HvdB
05	06-05-2010	Diode added in X2 between terminal 3 and 4	Engineering ART4	HvdB
06	25-06-2010	Type and connections power supply changed	Engineering ART4	HvdB
07	01-07-2010	Fuses added in primaire connections power supply	Engineering ART4	HvdB
08	12-10-2010	Cableset updated	Engineering ART4	HvdB
09	11-11-2010	Wire numbers changed on page 6 and 12	Engineering ART4	HvdB
10	26-01-2011	Lay-Out and partlist added	Engineering ART4	HvdB

Modification	Date	Name	Date	26-1-2011
			Ed.	
			Appr	
			Last print	8-2-2011

Project name:	1-15 DS Dual voltage E6540_UL230
	E6540/UL230



Page description:	Revision sheet
-------------------	----------------

Customer:	Blastrac bv.
Drawing number:	PJ09.01025T1CF10

WIRE COLOR

Main Voltage 400V

<u>Phase</u>	<u>Colors</u>
L1	- Black
L2	- Black
L3	- Black
Earth / PE	- Yellow/Green

Control Voltage (AC)

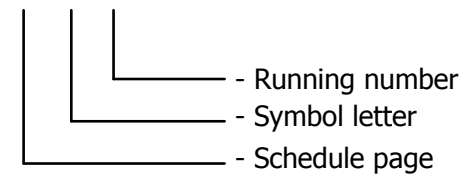
Phase	- White
Hook-up wire	- White
Zero	- White

Control Voltage (DC)

(+)	- Red
Hook-up wire	- Red
(-)	- Red

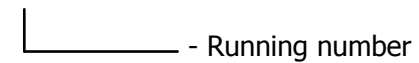
SYMBOL CODE

11 F 11



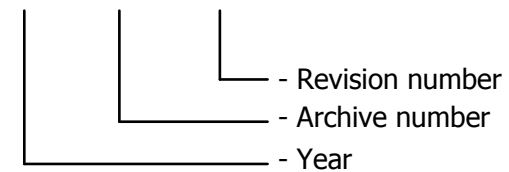
CORE CODE

11 11



DRAWING NUMBER

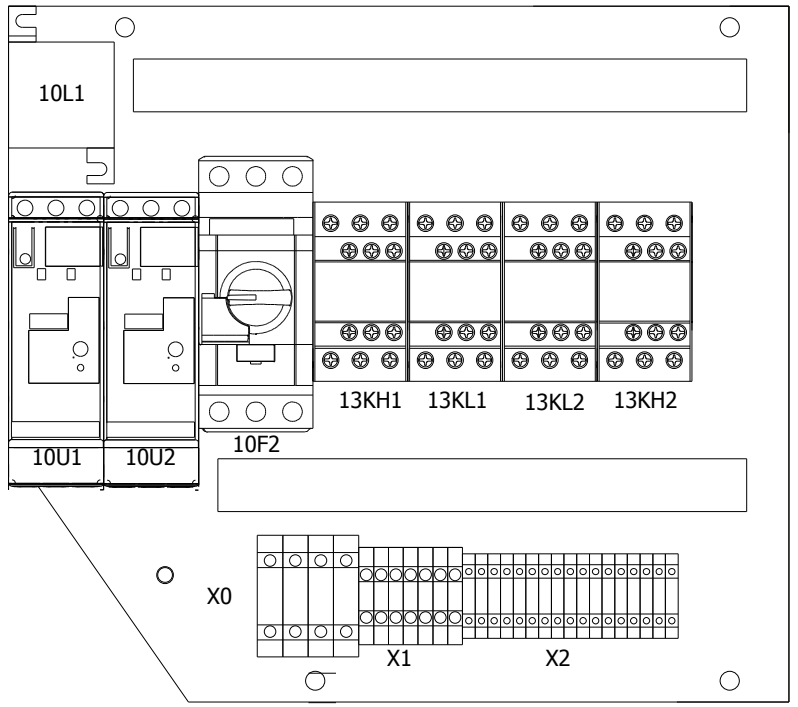
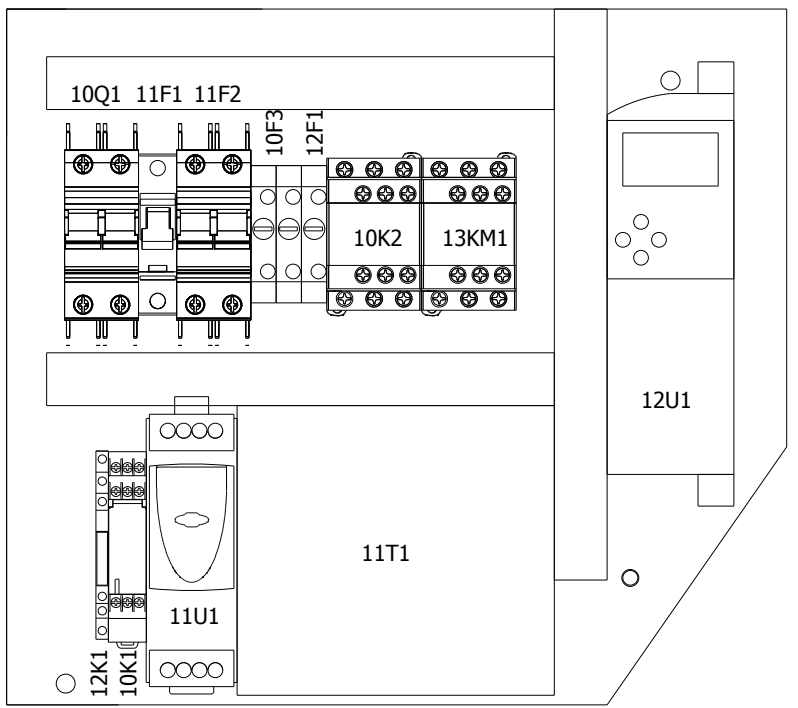
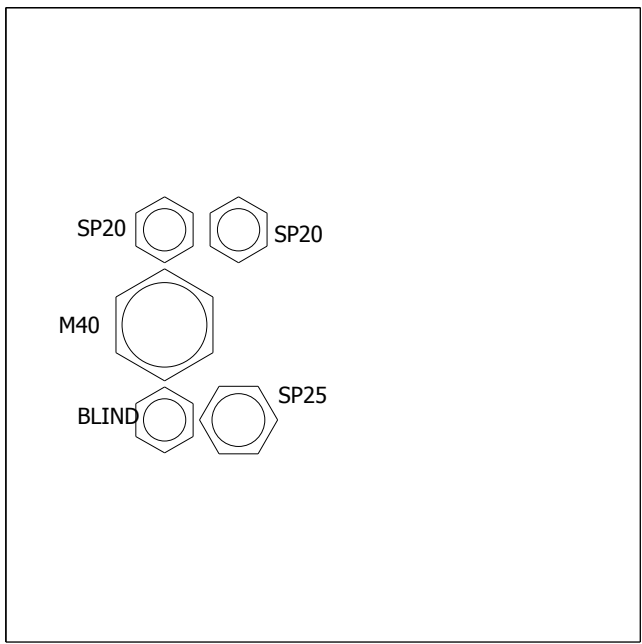
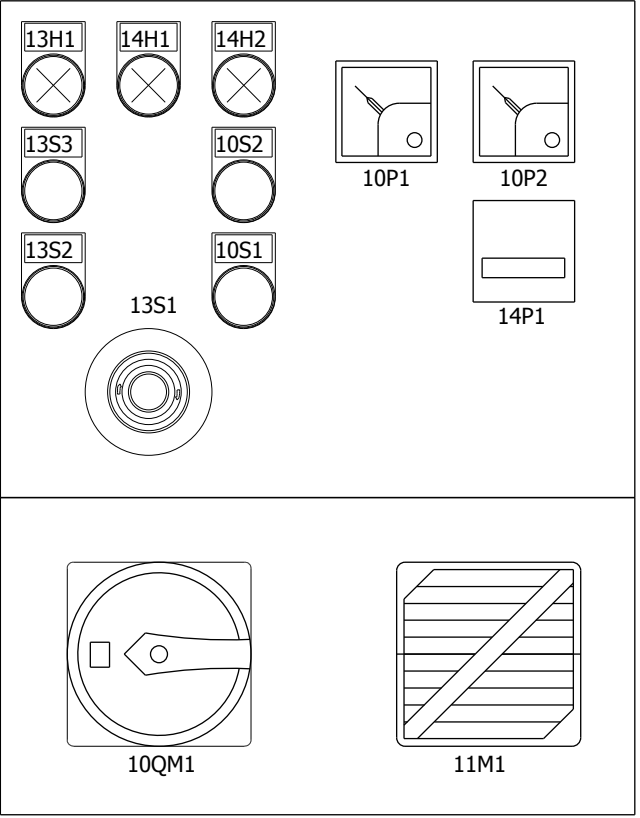
PJ##.####.##



	auxiliary contact	hulpcontact		signal light	signaallamp		Safety fuse	smeltveiligheid
	Power contact	vermogenscontact		horn	hoorn		Fused switch, three-pole	schakelbare scheider
	NO contact, opens with time delay	maakcontact, vertraagd open		apm.meter	amperemeter		Fused disconnect, three-pole	scheider "klapbak"
	NO contact, closes with time delay	maakcontact, vertraagd sluitend		runninghour counter	urenteller		Main switch	hoofdschakelaar
	NC contact, opens with time delay	verbreekcontact, vertraagd open		transformer	transformator		Circuit breaker, single-pole	installatieautomaat 1-polig
	NC contact, closes with time delay	verbreekcontact, vertraagd sluitend		Contactor coil relay coil	spoel		Circuit breaker, two-pole	installatieautomaat 2-polig
	Pushbutton rebound	drukknop terugverend		Contactor/relay coil, with pick-up delay	Spoel met opkomvertraging		Circuit breaker, three-pole	installatieautomaat 3-polig
	Pushbutton locking	drukknop blijvend		Contactor/relay coil, with drop-out delay	spoel met afvalvertraging		Power circuit breaker motor overload switch with switch mechanism	motorbeveiligingsschakelaar
	Rotary switch rebound	tip draaischakelaar		Contactor pulse coil relay pulse coil,	spoel puls		Valve	elektrisch bediende klep
	Rotary switch locking	draaischakelaar		Tube light	TL verlichting		Resistor with movable contact	regelbare weerstand
	Emergency stop rotary unlock	noodstop met draaibare vrijgave		Resistor / Heating	weerstand verwarming		Terminal	rijgklem
	Thermostatic switch	thermostaat hygrostaat		Socket	wandcontactdoos		Terminal with fuse	rijgklem metzekering
	Pressure switch	drukschakelaar		Current transformer	stroomtransformator		Rectifier	gelijkrichter
	Limit switch	eindschakelaar						
	Proximity switch	naderingsschakelaar						

Modification	Date	Name	Date	6-4-2010	Project name: 1-15 DS Dual voltage E6540_UL230 E6540/UL230		Page description: Symbol library	Customer: Blastrac bv.	Drawing number: PJ09.01025T1CF10	=	+	Page 4
			Date	6-4-2010								
			Ed.	HVDB								
			Appr									
			Last print	8-2-2011								

CAB



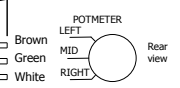
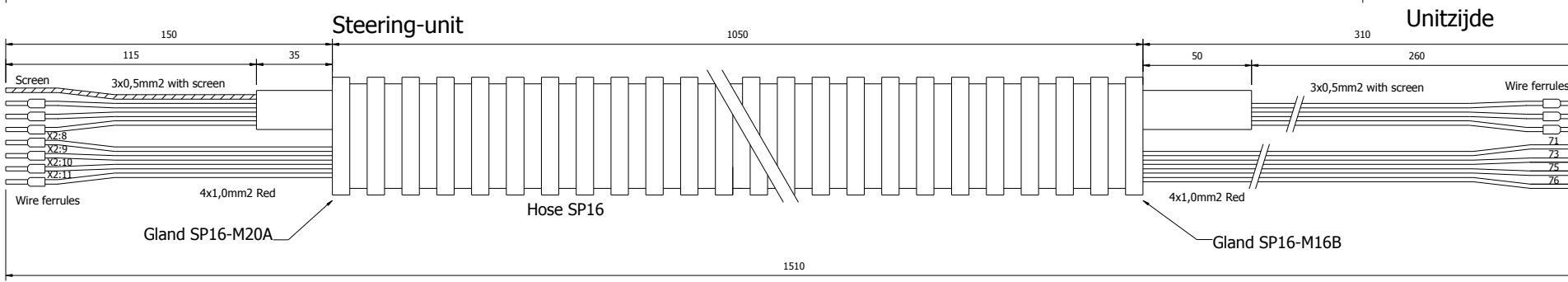
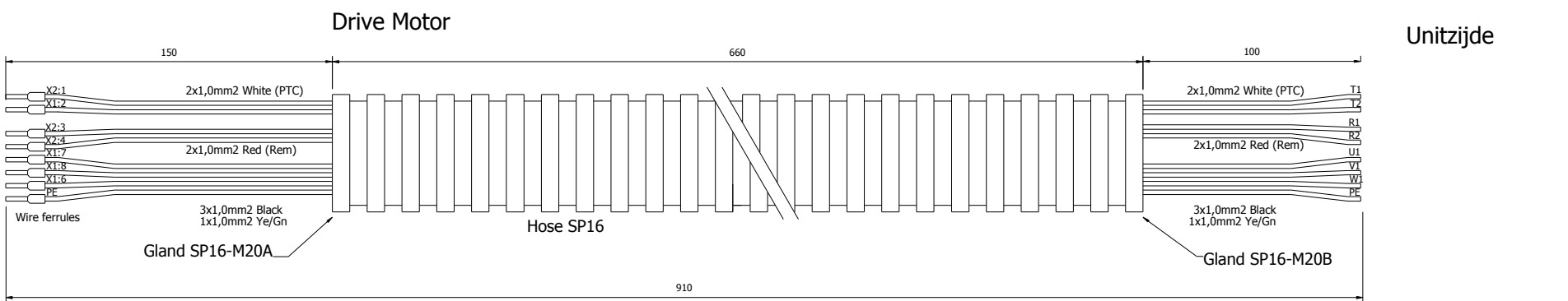
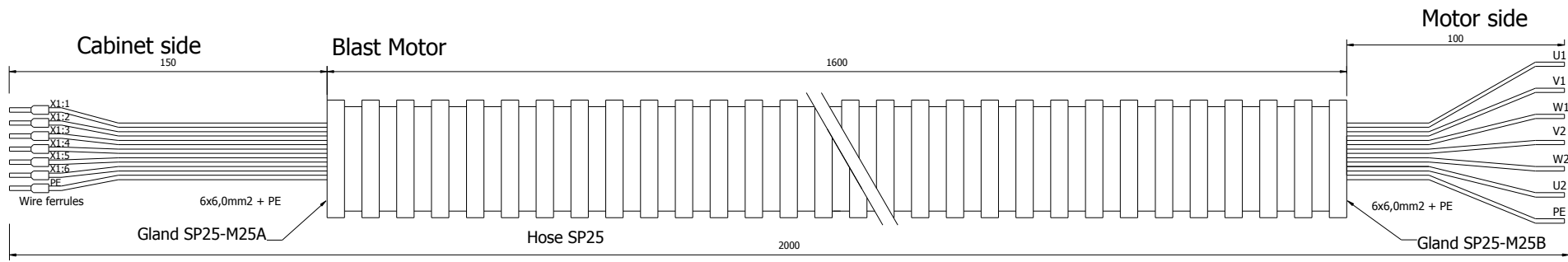
Modification	Date	Name	Date	26-1-2011
			Ed.	
			Appr	
			Last print	8-2-2011

Project name:
1-15 DS Dual voltage E6540_UL230
 E6540/UL230

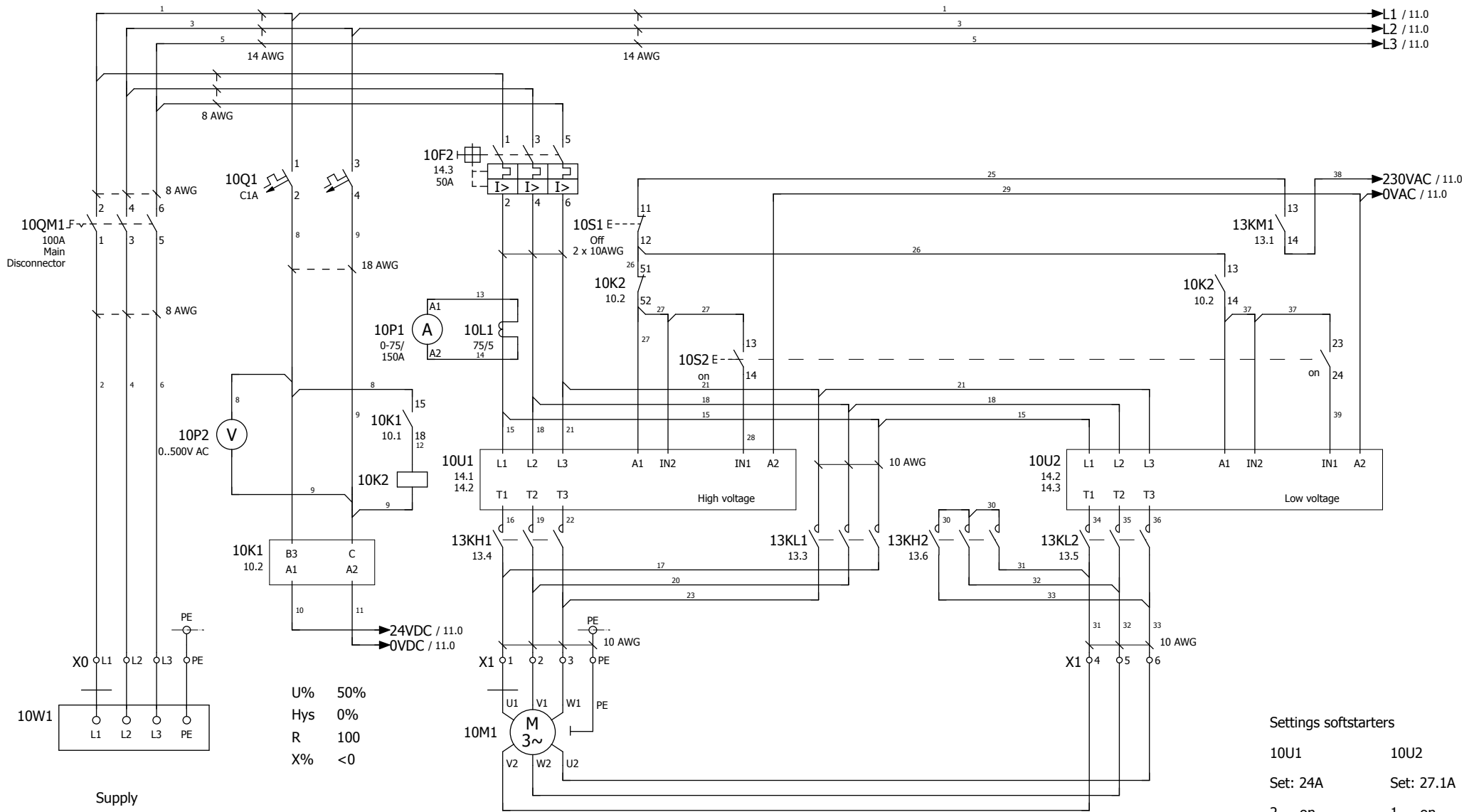


Page description:
Panel Layout

Customer:
Blastrac bv.
 Drawing number:
PJ09.01025T1CF10



				Project name: 1-15 DS Dual voltage E6540_UL230		Page description: Cableset		Customer: Blastrac bv.		=
				E6540/UL230		BLASTRAC		Drawing number: PJ09.01025T1CF10		+
Modification				Date		Name		Last print		Page
				11-11-2010				8-2-2011		6
				Ed. HVDB						
				Appr						



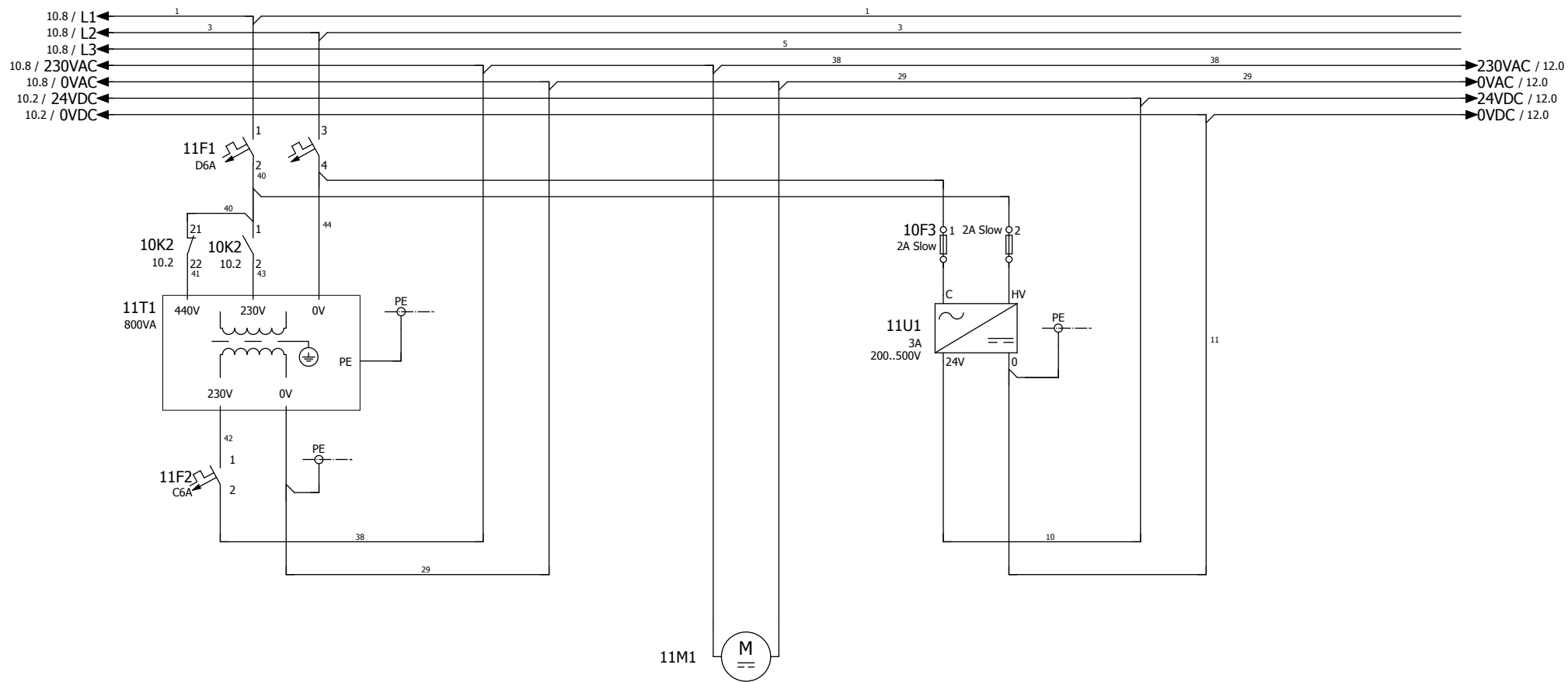
U% 50%
 Hys 0%
 R 100
 X% <0


- 1 - 2 11.1
- 3 - 4 13.3
- 13 - 14 10.7
- 21 - 22 11.1
- 51 - 52 10.4
- 61 - 62 13.4

Blast motor
 230V 47A
 440V 24A

Settings softstarters

10U1	10U2
Set: 24A	Set: 27.1A
2 on	1 on
9 on	3 on
10 on	11 on
11 on	12 on
12 on	14 on
14 on	
15 on	



11M1 
Fan
230V AC

Modification	Date	Name	Date
			26-1-2011
			8-2-2011

Project name:
1-15 DS Dual voltage E6540_UL230
E6540/UL230

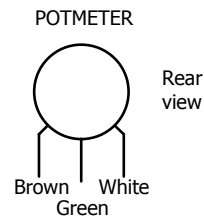
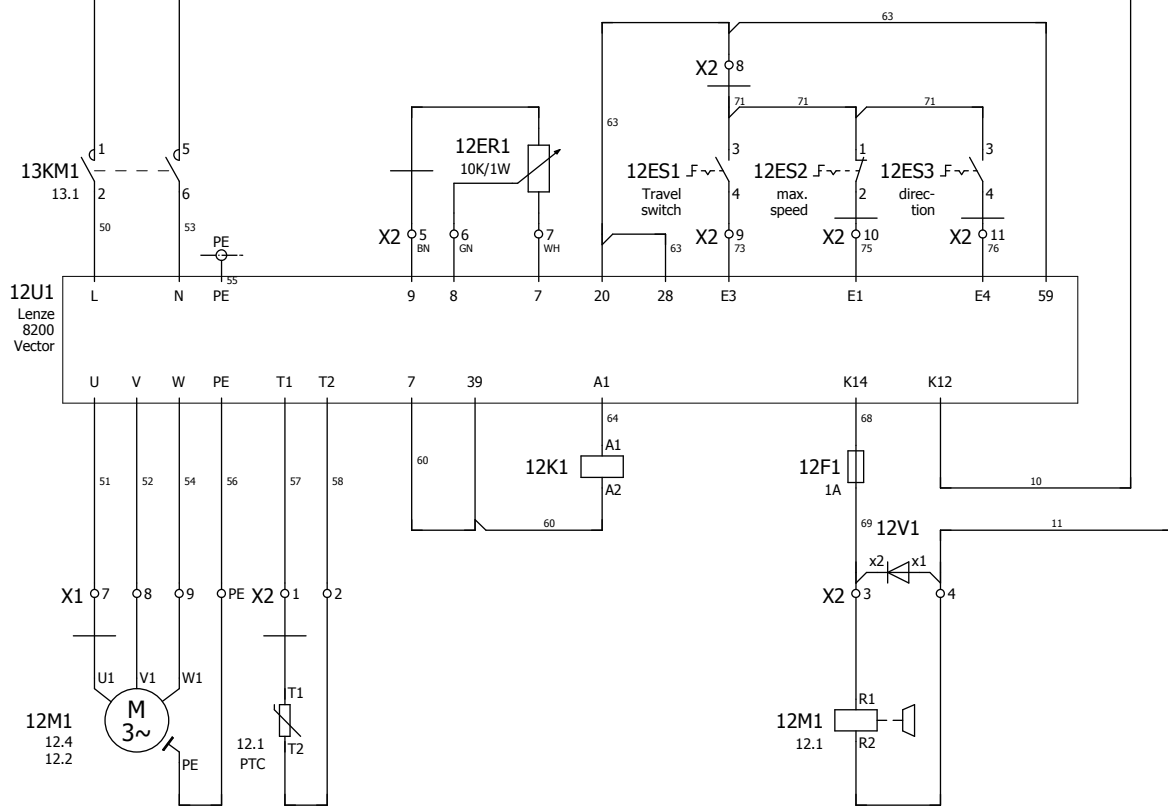


Page description:
Main-Voltage

Customer:
Blastrac bv.
Drawing number:
PJ09.01025T1CF10

11.8 / 230VAC ← 38
 11.8 / 0VAC
 11.8 / 24VDC ←
 11.8 / 0VDC ←

→ 230VAC / 13.0
 → 0VAC / 13.0



Drive parameters 1-15DS Global DV

C0007/000	-2-
C0008/000	-7-
C0010/000	0 Hz
C0011/000	50 Hz
C0012/000	2,5 s
C0013/000	1 s
C0015/000	50 Hz
C0016/000	5 %
C0017/000	0 Hz
C0037/000	50 Hz
C0087/000	1410 rpm
C0088/000	3,1 A
C0089/000	50 Hz
C0090/000	230V
C0091/000	0,8
C0105/000	0,8 s
C0119/000	-1-
C0142/000	-3-
C0410/001	-1-
C0415/001	-6-
C0415/002	-25-
C0416/000	-2-
C0417/001	-1-
C0148/000	-1- (*)

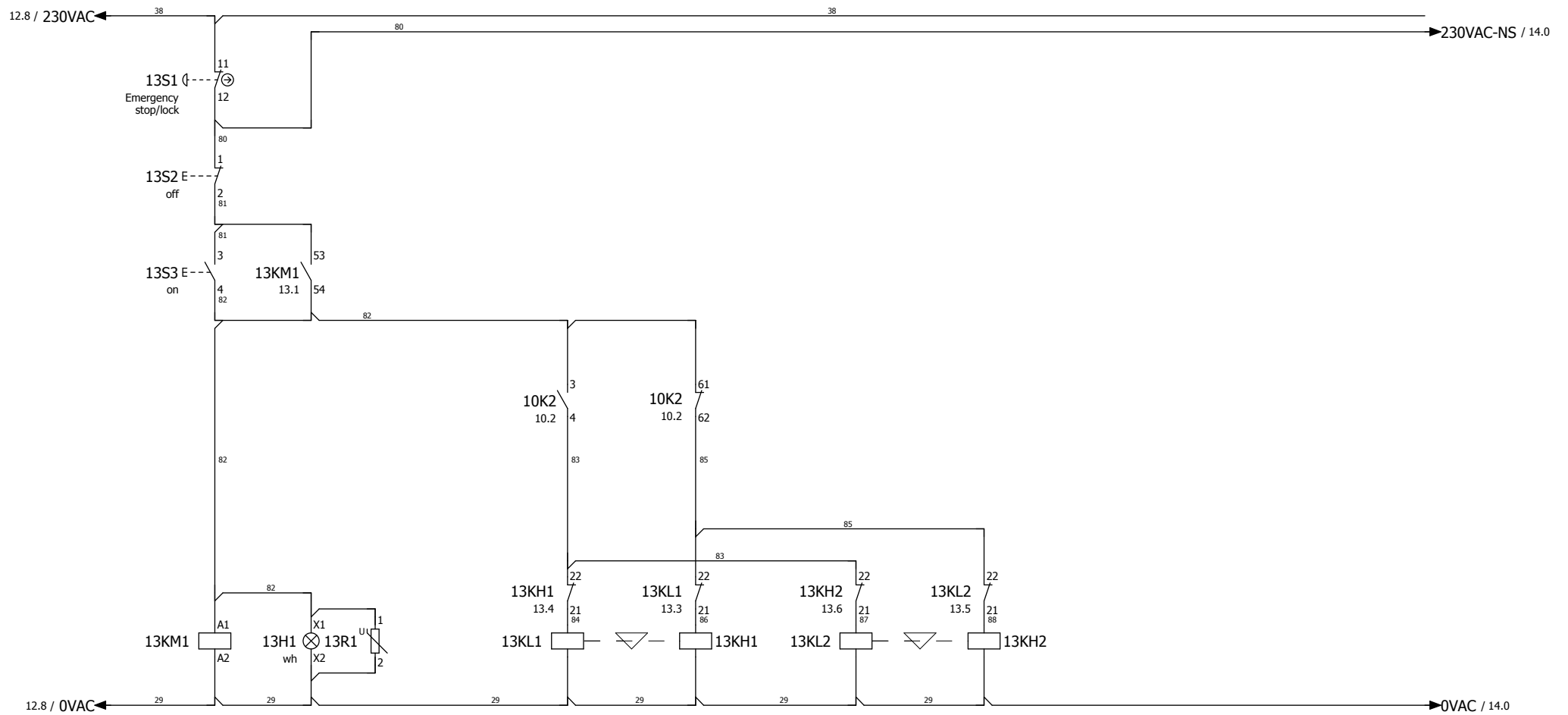
Drivemotor
0,75 kW
Incl.
Thermistor

Failure drive
12 -> 11 14.4

Brake
24Vdc

* Connect drivemotor in delta

(*) Motor identification wil be 0 after applying



Control
voltage
on

1 2 12.1
5 6 12.1
13 14 10.8
53 54 13.2

22 21 10.5
22 21 10.5
22 21 10.5
22 21 13.4

22 21 10.3
22 21 10.3
22 21 10.3
22 21 13.3

22 21 10.7
22 21 10.7
22 21 10.7
22 21 13.6

22 21 10.6
22 21 10.6
22 21 10.6
22 21 13.5

Modification	Date	Name	Last print
	26-1-2011		8-2-2011

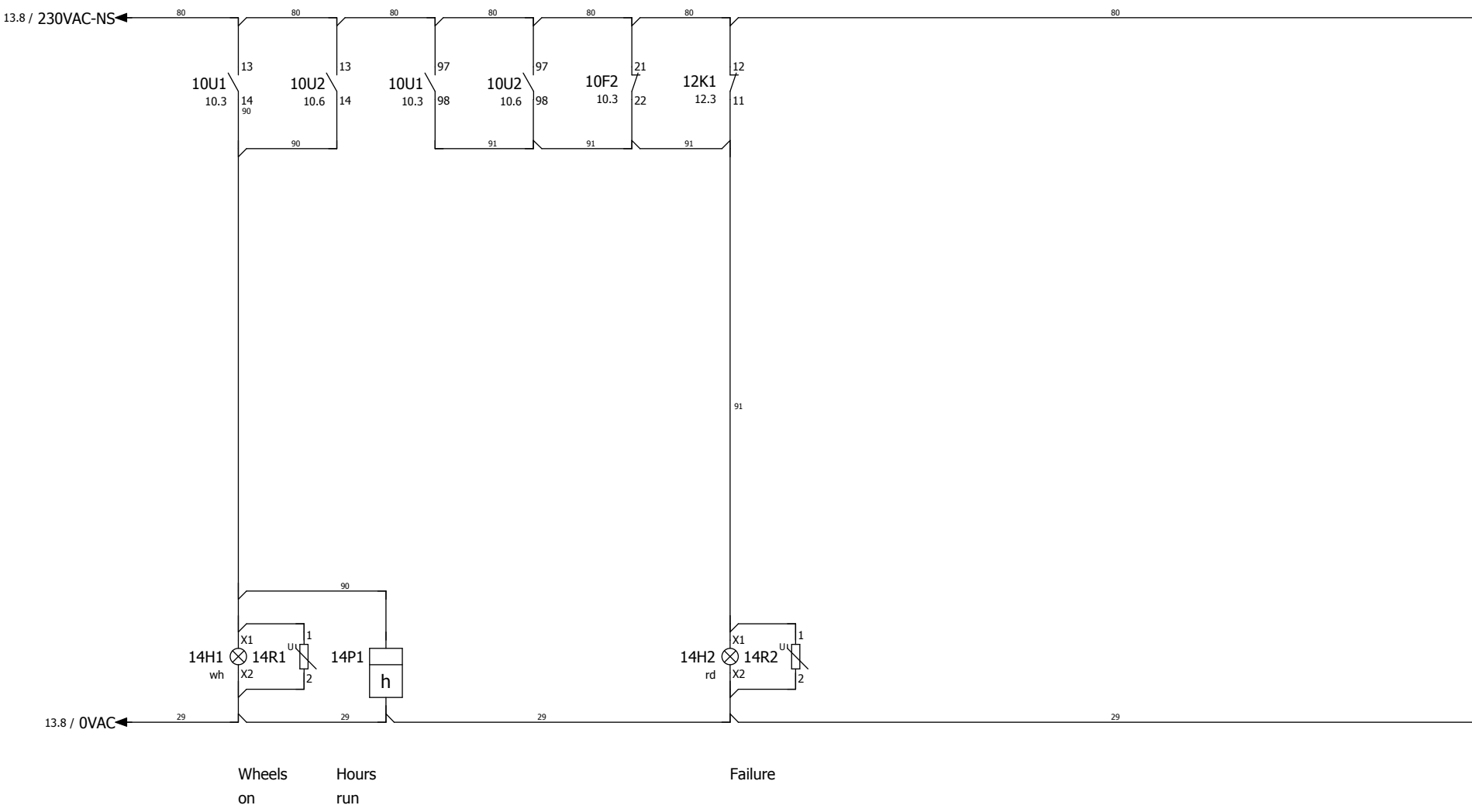
Project name:	1-15 DS Dual voltage E6540_UL230
	E6540/UL230



Page description:	Control-Voltage
-------------------	-----------------

Customer:	Blastrac bv.
Drawing number:	PJ09.01025T1CF10

	=
	+
Page	13



Modification	Date	Name	Date
			26-1-2011
			8-2-2011

Project name:
1-15 DS Dual voltage E6540_UL230
 E6540/UL230



Page description:
Control-Voltage

Customer:
Blastrac bv.
 Drawing number: **PJ09.01025T1CF10**

Terminal diagram

function text	Cable name 10W1	Cable type	Strip X0 Terminals X0 Supply 400V 50Hz.					Cable name	Cable type	Page / column
			Target designation	Connection point	terminal	jumper	Target designation			
Supply 3 x 230V or 3 x 440V			10W1	L1	L1	.	10QM1	1	10.0	
Supply 480Y/277V 60Hz			10W1	L2	L2	.	10QM1	3	10.0	
=			10W1	L3	L3	.	10QM1	5	10.1	
=			10W1	PE	PE	.	PE	PE	10.1	

Terminal diagram

function text	12W3	10W2	Cable name	Strip X1 Terminalstrip X1 Main-Voltage					Cable name	cable type	Page / column
				Target designation	Connection point	terminal	jumper	Target designation			
Wheel motor				10M1	U1	1		13KH1;13KL1		10.3	
Supply 480Y/277V 60Hz				10M1	V1	2		13KH1;13KL1		10.3	
=				10M1	W1	3		13KH1;13KL1		10.3	
=				10M1	V2	4		13KL2;13KH2		10.7	
=				10M1	W2	5		13KL2;13KH2		10.7	
=				10M1	U2	6		13KL2;13KH2		10.7	
=				10M1	PE	PE	.	PE		10.3	
Drive motor				12M1	U1	7	.	12U1	U	12.1	
				12M1	V1	8	.	12U1	V	12.1	
				12M1	W1	9	.	12U1	W	12.1	
				12M1	PE	PE	.	12U1	PE	12.2	

Terminal diagram

function text	Strip X2 Terminalstrip X2 Control-voltage								Cable name	Cable type	Page / column										
	Cable name	cable type	Target designation	Connection point	terminal	jumper	Target designation	Connection point													
Thermistor							12M1	T1	1	.	12U1	T1									12.2
							12M1	T2	2	.	12U1	T2									12.2
Brake							12M1	R1	3	.	12F1;12V1	x2									12.4
							12M1	R2	4	.	11U1;12V1	0;x1									12.5
Speed							12ER1		5	.	12U1	9									12.2
							12ER1		6	.	12U1	8									12.3
							12ER1		7	.	12U1	7									12.3
							12ES1	3	8	.	12U1;12U1	20;59									12.4
Travel switch							12ES1	4	9	.	12U1	E3									12.4
max. speed							12ES2	2	10	.	12U1	E1									12.4
direction							12ES3	4	11	.	12U1	E4									12.5

Terminal diagram

function text				Cable name	Strip 10F3					Cable name	Page / column				
				cable type	Target designation	Connection point	terminal	jumper	Target designation	Connection point	cable type				
2A Slow					11U1	C	1		11F1	4					11.5
=					11U1	HV	2		11F1	2					11.6

Parts list

device tag	Quantity	designation	Type number	Brand	Blastrac number
CAB	1	1-10/15/20/20D univesel empty	1-10DS EMPTY	Haewa	E07833
CAB	2	Mont.goot BxH 25x80 MM vpp=56	T1-E 25X80 MONT.GOOT	Generic	E07834
CAB	1	M.rail verz.geel,7,5x35MM 2M	TS35 MONT.RAIL SLEUF	Generic	E07835
CAB	2	overdrive-forward zelfkl.60*10 witte pl/zw letter	RESOPAL 2-20DT/1	Generic	E07836
CAB	1	speed control zelfkl.45*10 witte pl/zw letter	RESOPAL 2-20DT/2	Generic	E07837
CAB	1	Bocht 90 M20 inw* M20 uitw	B/PG13/90	Generic	E07838
CAB	2	FITTING @16*M20	SP16/M20/A	Adaptaflex	E07839
CAB	2	FITTING @16*M20 DRAAIBAAR	SP16/M20/B	Adaptaflex	E03508
CAB	2	BESCHERMSLANG 16*13	SP16/ZWART	Adaptaflex	E00559
CAB	1	FITTING @25*M25 vast	SP25/M25/A	Adaptaflex	E07840
CAB	1	FITTING @25*M25 DRAAIBAAR	SP25/M25/B	Adaptaflex	E07841
CAB	1	BESCHERMSLANG 25*21.4	SP25/ZWART	Adaptaflex	E00560
CAB	1	blindstop M20*1.5 messing	WARTEL BLINDSTOP M20	Jacob	E07842
CAB	1	M40*1.5 (PG 29/36)	WARTEL M40*1.5	Jacob	E00409
CAB	3	wartelmoer M20*1.5 messing	WARTELMOER M20*1.5	Jacob	E00406_1
CAB	1	wartelmoer M25*1.5 messing	WARTELMOER M25*1.5	Jacob	E00407_1
CAB	1	wartelmoer M40*1.5 messing	WARTELMOER M40*1.5	Jacob	E00409_1
CAB	15	Montagesnoer zwart AWG14 2.5mm2 UL-CSA	AWG 14 ZWART	LAPP	E07843
CAB	30	Montagesnoer wit AWG18 1.0mm2 UL-CSA	AWG 18 WI KAB.MONT.S	LAPP	E07844
CAB	1	Montagesnoer zwart AWG18 1.0mm2 UL-CSA	AWG 18 ZT KAB.MONT.S	LAPP	E07845
CAB	15	Montagesnoer rood AWG22 0.5mm2 UL-CSA	AWG 22 ROOD	LAPP	E07846
CAB	15	Montagesnoer wit AWG22 0.5mm2 UL-CSA	AWG 22 WIT	LAPP	E07847
CAB	50	Adereindhuls 0.5mm2 wit geïsoleerd	G 488 MONT.ADERHULS	Calpe	E07848
CAB	40	Adereindhuls 1mm2 rood geïsoleerd	G 490	Calpe	E07849
CAB	70	Adereindhuls 2x1mm2 rood geïsoleerd	G 490-TWIN MONT.A.H.	Calpe	E07850
CAB	50	Adereindhuls 1,5mm2 zwart geïsoleerd	G 491 MONT.A.H.	Calpe	E07851
CAB	20	Adereindhuls 2,5mm2 grijs geïsoleerd	G 492 MONT.ADERHULS	Calpe	E07852
CAB	20	Aderhuls 2x2,5MM2 blauw geïsol	G 492-TWIN MONT.A.H.	Calpe	E07853
CAB	18	Adereindhuls 4mm2 oranje geïsoleerd	G 493 MONT.AD.HULS	Calpe	E07854
CAB	6	Aderhuls 10MM2 bruin geïsoleerd	G 495 MONT.ADERH.	Calpe	E07855
CAB	1	1-15DS dual voltage,incl.kleine stickers	STICKER 1-15DS DUAL VOLTAGE	Generic	E07856
12ER1	1	Potm.10 K OHM, 4W-500V	POTMETER 10 K OHM	Generic	454795
12ER1	1	schroef aansluiting potmeter	POTMETER PRINT KLEM	Wieland	E05088
12ER1	1	potmeterknop chroom/zwart as @6	ZB4-BD912	Schneider Electric	E00866/2
12ES1	1	kunststof, schakelknok + stalenrol, no/nc	XCK-P2102P16	Schneider Electric	454796
12ES2	1	drukn.@16 wit 1M recht.h	XB6-CA11B	Schneider Electric	E00867
12ES3	1	drukn.@16 wit 1M recht.h	XB6-CA11B	Schneider Electric	E00867
10F2	1	Hulpcont. front voor GV2-ME 1xNO of NC	GV2-AE1	Schneider Electric	E07807
10F2	1	Mot.Th/Mag bev.40,0..63.0A	GV3-P65	Schneider Electric	E00247
10F3	2	ZEK.KLEM 10MM2 GRIJS 5*20MM	VUSI 4-10M C.ZEK.KLM	Wieland	E01321
10F3	2	ZEK.SMELTV. 5*20MM SLOW 2A	ZEK.GLAS TRAAAG 2A	Generic	E07814
11F1	1	zek.autom. AB 2P 6A D-kar UL 489 480/277V	C60N-1489-A2D060	Allen Bradley	E07816
11F2	1	Zek. autom. AB 1P 6A C-kar	C60N-1492-SP1C060	Allen Bradley	E05160
12F1	1	ZEK.KLEM 10MM2 GRIJS 5*20MM	VUSI 4-10M C.ZEK.KLM	Wieland	E01321
12F1	1	VOOR VUSI 4-10	VASI 4-10 C.SCHOT	Wieland	E05154
12F1	1	ZEK.SMELTV. 5*20MM SLOW 1A	ZEK.GLAS TRAAAG 1 A	Generic	E07815
13H1	1	tekstpl.houder 27*13 h=45 elfi	F6300	Generic	E07831
13H1	1	LED lens wit	ZB5-AV013	Schneider Electric	333-3454
13H1	1	Lamphouder 230/240V incl. LED wit	ZB5-AVM1	Schneider Electric	E05093
14H1	1	tekstpl.houder 27*13 h=45 elfi	F6300	Generic	E07831
14H1	1	LED lens wit	ZB5-AV013	Schneider Electric	333-3454
14H1	1	Lamphouder 230/240V incl. LED wit	ZB5-AVM1	Schneider Electric	E05093
14H2	1	tekstpl.houder 27*13 h=45 elfi	F6300	Generic	E07831
14H2	1	LED lens rood	ZB5-AV043	Schneider Electric	E00360
14H2	1	Lamphouder 230/240V incl. LED rood	ZB5-AVM4	Schneider Electric	E07817
10K1	1	volt.bew.2w30-300/500V 24-240V	RM4-UA33MW	Schneider Electric	500-3570-EDA

			Date	26-1-2011	Project name:	1-15 DS Dual voltage E6540_UL230		Page description:	Partlist		Customer:	Blastrac bv.		=
			Ed.		E6540/UL230								+	
			Appr										Drawing number:	
Modification	Date	Name	Last print	8-2-2011										

Parts list

device tag	Quantity	designation	Type number	Brand	Blastrac number
10K2	1	Contactora 4.0kW 400vac 1M/1V coil 230Vac	LC1-D09-P7	Schneider Electric	333-3384
10K2	1	2V->LC1-D09..LC1-D38	LAD-N02	Schneider Electric	E07818
12K1	1	Rel.interf.1W 6A sp.24VDC	38.51.7.024.0050	Finder	E05007
13KH1	1	Magn.schak. 15kW 3xNO sp.sp. 230VAC hulpcont. 1xNO/1xNC	LC1-D32-P7	Schneider Electric	E07819
13KH2	1	Magn.schak. 15kW 3xNO sp.sp. 230VAC hulpcont. 1xNO/1xNC	LC1-D32-P7	Schneider Electric	E07819
13KL1	2	mech.vergr+elec.LC1-D09/D38	LAD-9R1V	Schneider Electric	E07820
13KL1	1	Magn.schak. 15kW 3xNO sp.sp. 230VAC hulpcont. 1xNO/1xNC	LC1-D32-P7	Schneider Electric	E07819
13KL2	1	Magn.schak. 15kW 3xNO sp.sp. 230VAC hulpcont. 1xNO/1xNC	LC1-D32-P7	Schneider Electric	E07819
13KM1	1	M.S.hulpc.2M v LC1-D09..D38	LAD-N20	Schneider Electric	500-3394
13KM1	1	Contactora 4.0kW 400vac 1M/1V coil 230Vac	LC1-D09-P7	Schneider Electric	333-3384
10L1	1	Prim. 75/5A 3.75VA/KI.1 UL-CSA	M55E-94A	Controlin	E00491
11M1	1	VENTILATOR80*80*38MM 240VAC	FAN 80*80*38	PABST	E05140
11M1	2	UITL.FILT.MONT.UITSP.80*80MM	221-336 KAST KL.BEH.	PABST	E00283
11M1	1	FINGER GUARD 80MM	250-1612 KAST KL.BEH	PABST	E00283
10P1	1	Amperemeter 75A/5 48*48 met cornermask	IQ/EQ48 75A/5A	Controlin	E07821
10P1	1	IV48 48*48mm, IP-20	IQ/EQ 48 AFDEKKAP	Controlin	E07822
10P2	1	Voltmeter 500V 48*48 met cornermask	IQ/EQ48 500V	Controlin	BG007854
14P1	1	Mt/Rgl pan.tir.ber220v60h48*48	BZW 48/2E 230V 60HZ	Müller	E07823
10Q1	1	Zek. autom. AB 2P 1A C-kar UL 489 480/277V	C60N-1489-A2C010	Allen Bradley	E07824
10QM1	1	hoofdschak.100A rode kn.geepl	P3-100/EA/SVB	Moeller	000133
13R1	1	overspanningselement voor ingebouwde led	ZBZ-VM	Schneider Electric	E05080
14R1	1	overspanningselement voor ingebouwde led	ZBZ-VM	Schneider Electric	E05080
14R2	1	overspanningselement voor ingebouwde led	ZBZ-VM	Schneider Electric	E05080
10S1	1	drukknop verz. zonder drukplaat ZBA	ZB5-AA0	Schneider Electric	E01318
10S1	1	element 1xNC + kopp.	ZB5-AZ102	Schneider Electric	E00357
10S1	1	drukkn.pl tbv ZB5;rood stop	ZBA-434	Schneider Electric	E01353
10S1	1	tekstpl.houder 27*13 h=45 elfi	F6300	Generic	E07831
10S2	1	tekstpl.houder 27*13 h=45 elfi	F6300	Generic	E07831
10S2	1	drukknop verz. zonder drukplaat ZBA	ZB5-AA0	Schneider Electric	E01318
10S2	1	element 1xNO + kopp.	ZB5-AZ101	Schneider Electric	333-3224
10S2	1	drukkn.pl tbv ZB5;groen start	ZBA-333	Schneider Electric	E05078
10S2	1	SCHAKELBLOK LOS TBV ZB 1M	ZBE-101	Schneider Electric	E05091
13S1	1	knop noodstop chroom/rood 40mm	ZB4-BSS4	Schneider Electric	001398
13S1	1	element 1xNC + kopp.	ZB4-BZ102	Schneider Electric	B21153
13S1	1	Rood/gele noodstopsticker	NOODSTOPSTICKER	Generic	E07832
13S2	1	tekstpl.houder 27*13 h=45 elfi	F6300	Generic	E07831
13S2	1	drukknop verz. zonder drukplaat ZBA	ZB5-AA0	Schneider Electric	E01318
13S2	1	drukkn.pl tbv ZB5;rood stop	ZBA-434	Schneider Electric	E01353
13S2	1	SCHAKELBLOK LOS TBV ZB 1V	ZBE-102	Schneider Electric	E05092
13S3	1	tekstpl.houder 27*13 h=45 elfi	F6300	Generic	E07831
13S3	1	drukknop verz. zonder drukplaat ZBA	ZB5-AA0	Schneider Electric	E01318
13S3	1	drukkn.pl tbv ZB5;groen start	ZBA-333	Schneider Electric	E05078
13S3	1	SCHAKELBLOK LOS TBV ZB 1M	ZBE-101	Schneider Electric	E05091
11T1	1	1-f pr.230-440 Sc.230V-800VA	STEP 15/2 230-440V>230V 1F	Jahns Müller GmbH	E07830
10U1	1	Softst.3-f 30A 200-480V/110-220vac (15kW)	150-C30NBD	Allen Bradley	E07825
10U2	1	Softst.3-f 30A 200-480V/110-220vac (15kW)	150-C30NBD	Allen Bradley	E07825
11U1	1	Geschakelde voeding 24Vdc 3A 200-520Vac	ABL8-RPS24030	Schneider Electric	E05149
12U1	1	E82EV751K2C200 vector/no filte	FREQ.REG 0.75 KW (1FASE)	Lenze	E07826
12U1	1	E82ZBC bed. display	FREQ.REG BED.DISPLAY	Lenze	E00415
12U1	1	E82ZAFS standaard I/O inbouw	FREQ.REG I/O	Lenze	E00482
12V1	1	Diode 1000V 1A	GEN DIODE 1N4007	Generic	E07827
X0	3	Eindsteun V4 klein 9708/2S35	EINDSTEUN V4 CON.ACC	Wieland	E07828
X0	3	Conn. railkl. 16MM2 grijs	VU5-16 CONN.R.KLEM	Wieland	E05190
X0	1	Conn.aardkl.,16MM2, ge/gr	VUPE-5-16 CONN.A.KL.	Wieland	E05191
X1	6	Conn.railkl. 6MM2 grijs	VU4-6 CONN.RAILKL.	Wieland	E01331
X1	1	Conn.aardkl,6MM2 GE/GN wk6sl/u	VUPE 4-6 CONN.AARDKL	Wieland	E01329

			Date	26-1-2011	Project name:	1-15 DS Dual voltage E6540_UL230	Page description:	Partlist	Customer:	Blastrac bv.	=
			Ed.			E6540/UL230			Drawing number:	PJ09.01025T1CF10	+
			Appr								Page
Modification	Date	Name	Last print	8-2-2011							

