



Blastrac bv
Utrechthaven 12
3433 PN Nieuwegein
Netherlands
+31(0)30-6018866
+31(0)30-6018333

Project description 2-20DT MKII/UL

Drawing number PJ09.1036.02

Blastrac number E00652/UL

Power supply 440VAC 60Hz

Input lead

Control Voltage 24VAC / 24VDC

Year of Manufacturing 2009

Remarks

Created on by FJK

Edit date 8-2-2011

by

Number of pages 16

			Date	13-10-2010	Project name:	2-20DT MKII/UL		Page description:		Customer:	Blastrac BV	=
			Ed.		E00652/UL	Titelblad / voorblad		Drawing number:	PJ09.1036.02	+		
Modification	Date	Name	Last print	8-2-2011						Page	1	

WIRE COLOR

Main Voltage 400/440V All wiring AWG

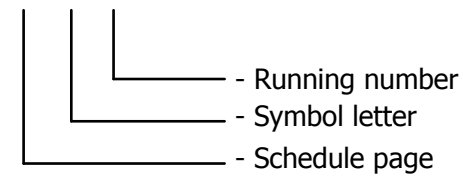
<u>Phase</u>	<u>Colors</u>
L1	- Black
L2	- Black
L3	- Black
Earth / PE	- Yellow/Green

Control Voltage

Phase (24VAC)	- White
Hook-up wire	- White
Neutral (24VAC)	- White
Plus (24VDC)	- Red
Hook-up wire	- Red
Minus / Ground (24VDC)	- Red

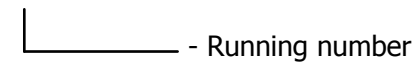
SYMBOL CODE

11 F 11



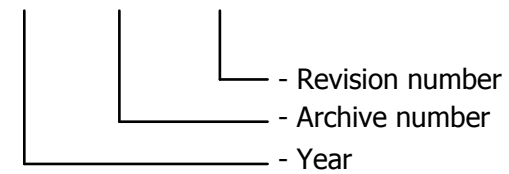
CORE CODE

11 11



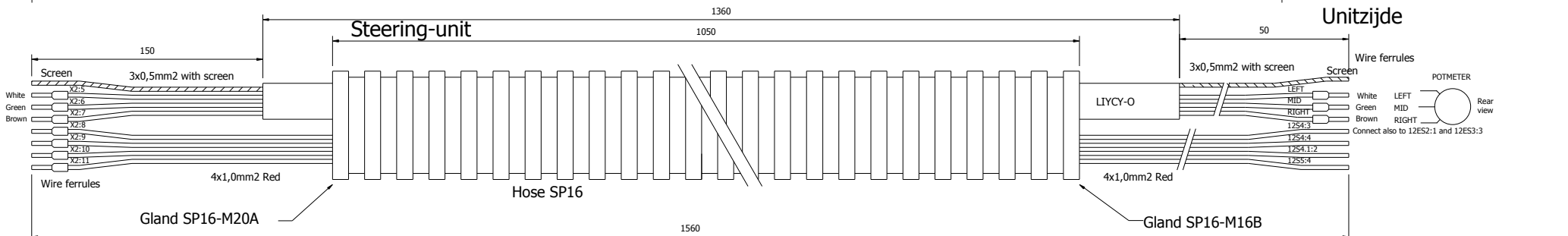
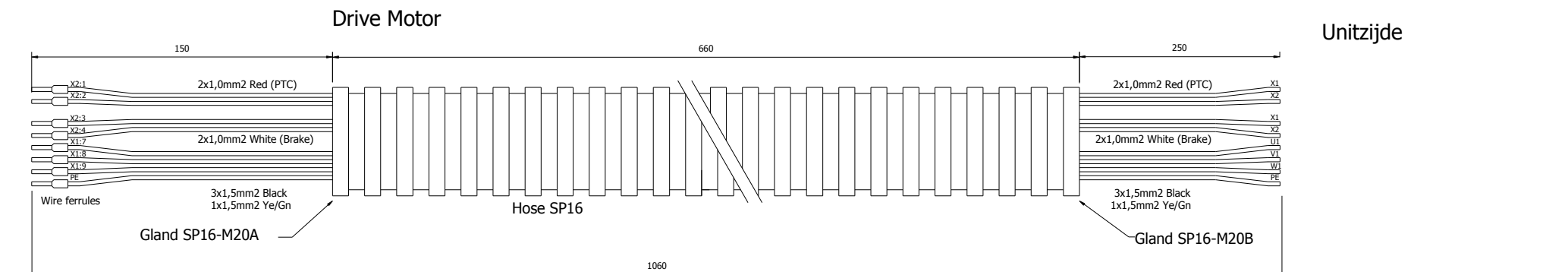
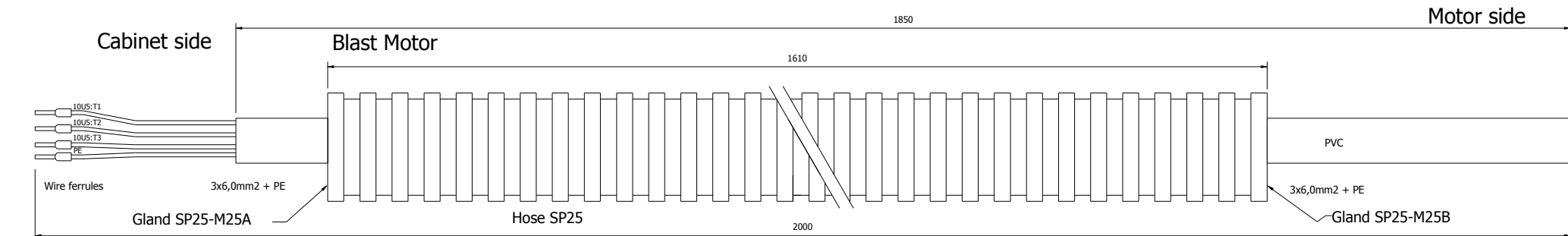
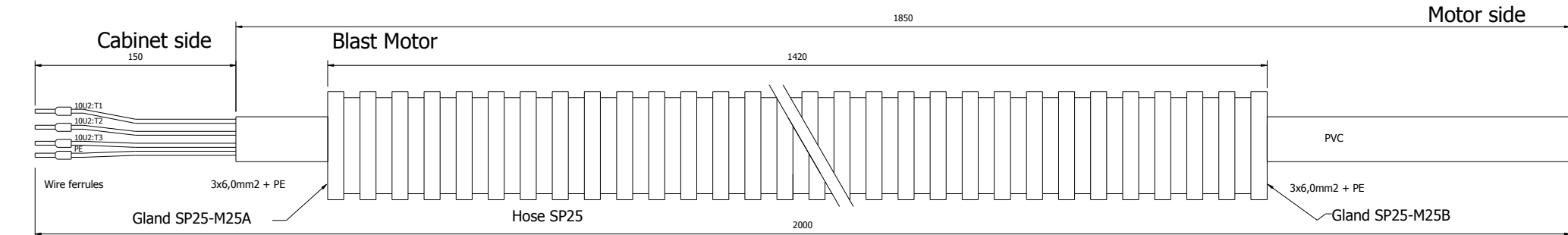
DRAWING NUMBER

PJ##.####.##



	auxiliary contact	hulpcontact		signal light	signaallamp		Safety fuse	smeltveiligheid
	Power contact	vermogenscontact		horn	hoorn		Fused switch, three-pole	schakelbare scheider
	NO contact, opens with time delay	maakcontact, vertraagd open		apm.meter	amperemeter		Fused disconnect, three-pole	scheider "klapbak"
	NO contact, closes with time delay	maakcontact, vertraagd sluitend		runninghour counter	urenteller		Main switch	hoofdschakelaar
	NC contact, opens with time delay	verbreekcontact, vertraagd open		transformer	transformator		Circuit breaker, single-pole	installatieautomaat 1-polig
	NC contact, closes with time delay	verbreekcontact, vertraagd sluitend		Contactor coil relay coil	spoel		Circuit breaker, two-pole	installatieautomaat 2-polig
	Pushbutton rebound	drukknop terugverend		Contactor/relay coil, with pick-up delay	Spoel met opkomvertraging		Circuit breaker, three-pole	installatieautomaat 3-polig
	Pushbutton locking	drukknop blijvend		Contactor/relay coil, with drop-out delay	spoel met afvalvertraging		Power circuit breaker motor overload switch with switch mechanism	motorbeveiligingsschakelaar
	Rotary switch rebound	tip draaischakelaar		Contactor pulse coil relay pulse coil,	spoel puls		Valve	elektrisch bediende klep
	Rotary switch locking	draaischakelaar		Tube light	TL verlichting		Resistor with movable contact	regelbare weerstand
	Emergency stop rotary unlock	noodstop met draaibare vrijgave		Resistor / Heating	weerstand verwarming		Terminal	rijgklem
	Thermostatic switch	thermostaat hygrostaat		Socket	wandcontactdoos		Terminal with fuse	rijgklem metzekering
	Pressure switch	drukschakelaar		Current transformer	stroomtransformator		Rectifier	gelijkrichter
	Limit switch	eindschakelaar						
	Proximity switch	naderingsschakelaar						

Modification	Date	Name	Date	8-5-2009	Project name: 2-20DT MKII/UL E00652/UL		Page description: Symbol library	Customer: Blastrac BV	Drawing number: PJ09.1036.02	=
			Ed.	FJK						+
			Appr							Page
			Last print	8-2-2011						



Modification	Date	Name	Date	13-10-2010
			Ed.	
			Appr	
			Last print	8-2-2011

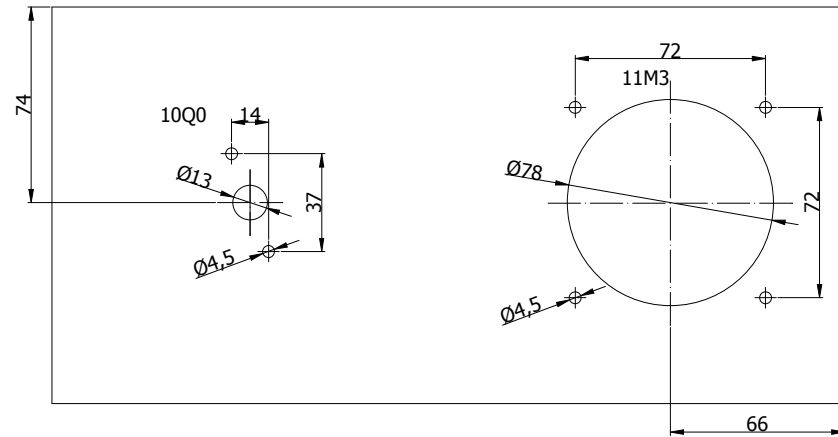
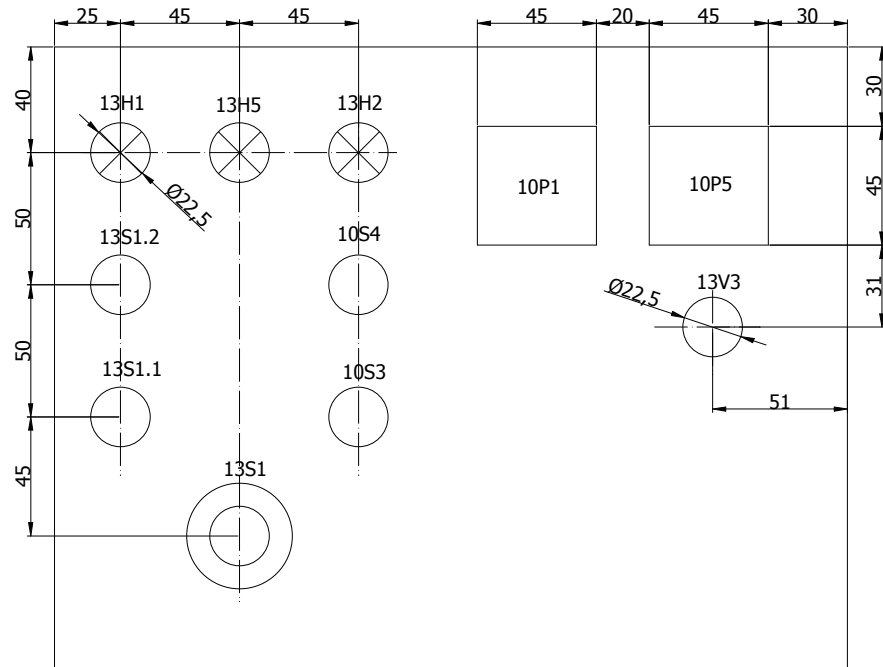
Project name:	2-20DT MKII/UL E00652/UL
---------------	-----------------------------



Page description:	Cable set
-------------------	-----------

Customer:	Blastrac BV
Drawing number:	PJ09.1036.02

	=
	+
Page	4a



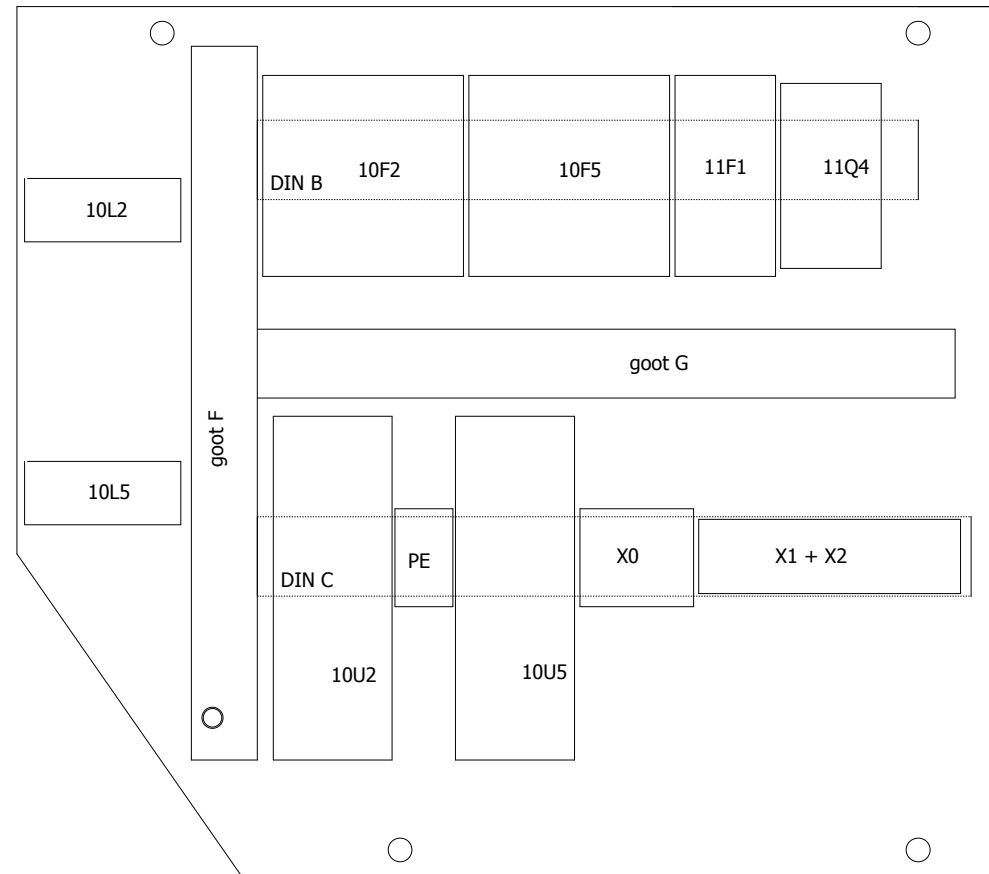
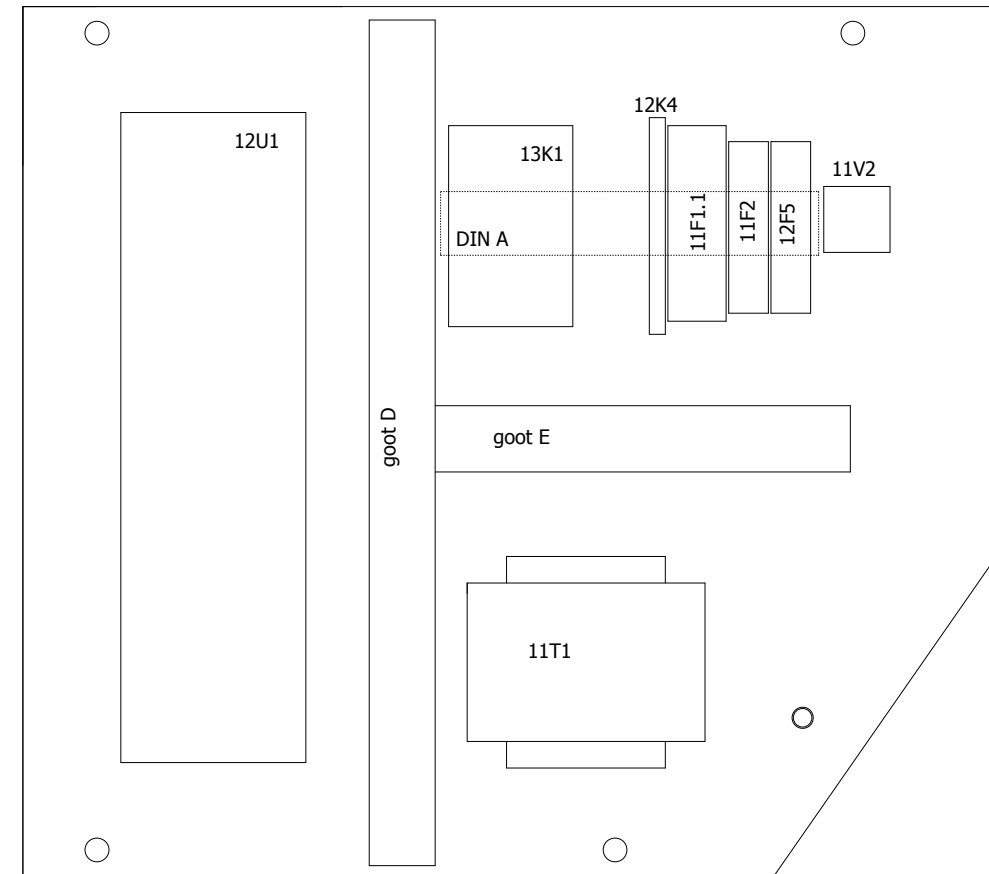
Modification	Date	Name	Date	9-2-2010
			Ed.	FJK
			Appr	
			Last print	8-2-2011

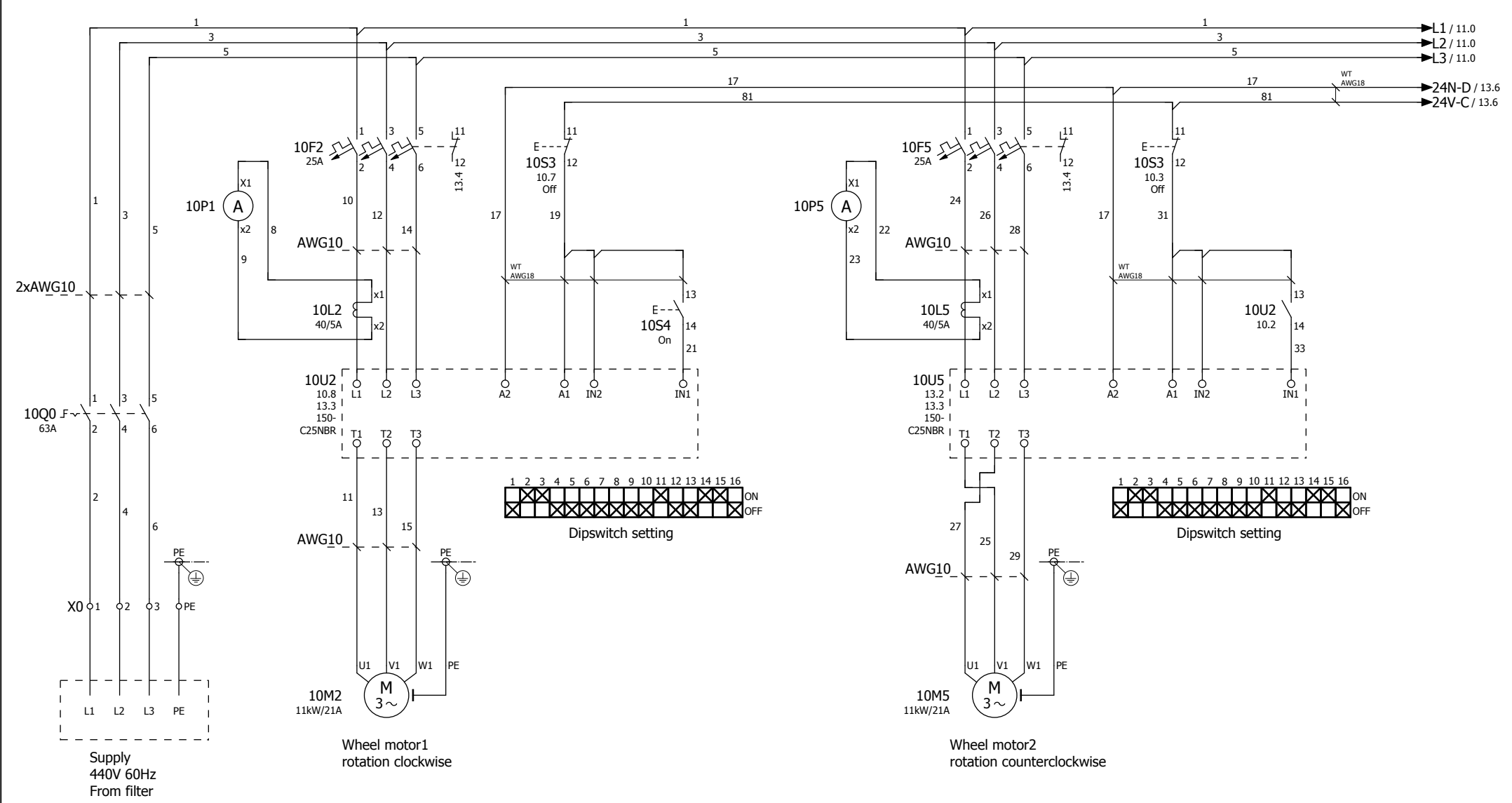
Project name: **2-20DT MKII/UL**
E00652/UL



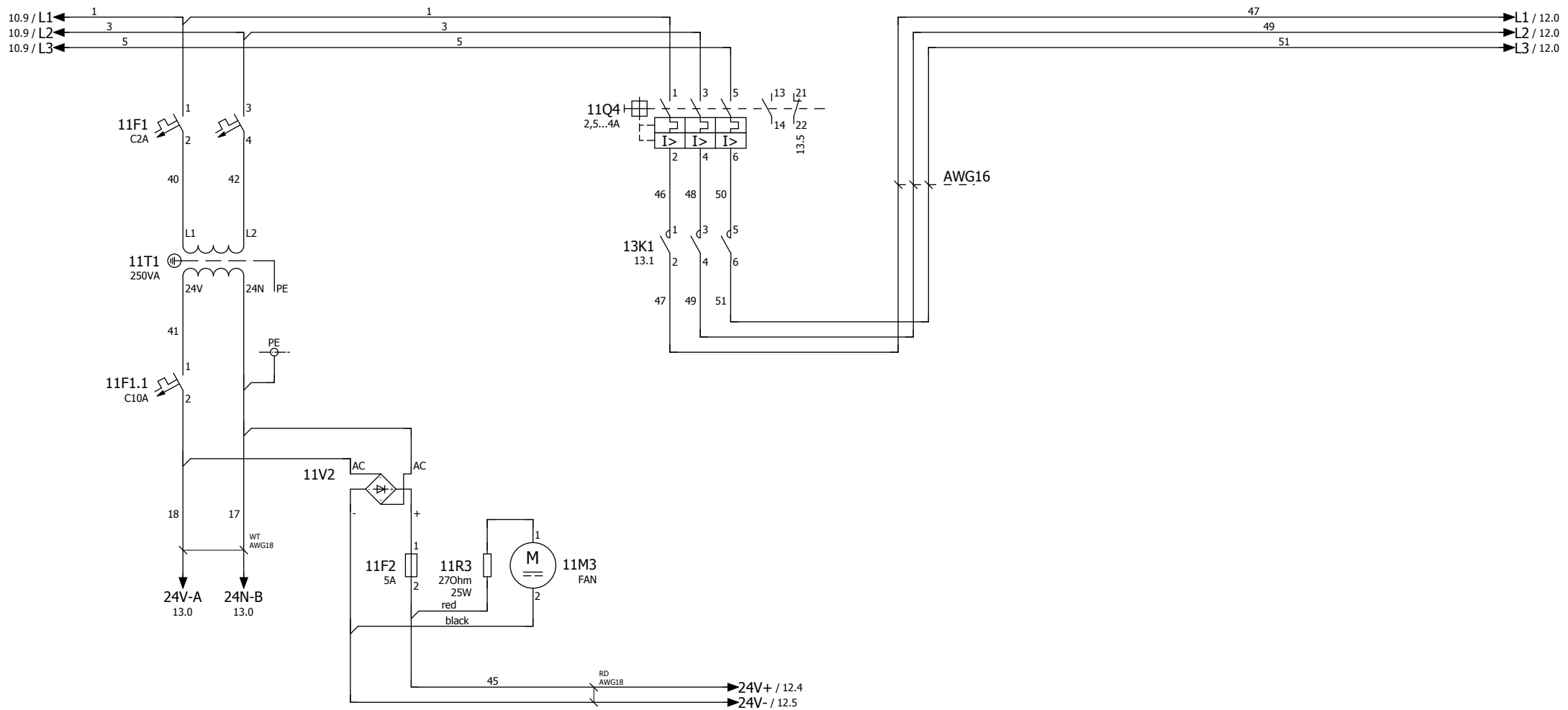
Page description: **Panel layout**

Customer: **Blastrac BV**
Drawing number: **PJ09.1036.02**





Modification		Date	Name	Date	9-2-2010	9-2-2010	FJK	Project name:	2-20DT MKII/UL E00652/UL				Page description:	Main Current		Customer:	Blastrac BV		=
																Customer:	Blastrac BV		+
																Drawing number:	PJ09.1036.02		Page
																			10



Modification	Date	Name	Date
			8-2-2011

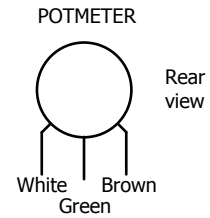
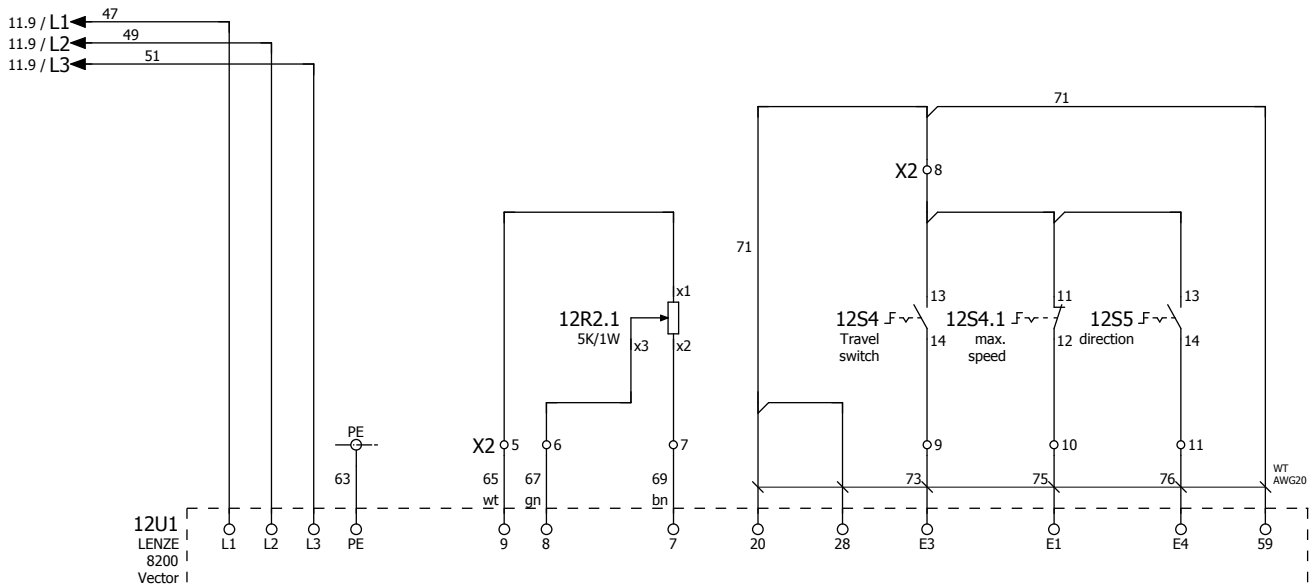
Project name:	2-20DT MKII/UL E00652/UL
---------------	-----------------------------



Page description:	Main Current
-------------------	--------------

Customer:	Blastrac BV
Drawing number:	PJ09.1036.02

Page	11
------	----



Drive parameters	2-20DT
C0007/000	-2-
C0008/000	-7-
C0010/000	0 Hz
C0011/000	50 Hz
C0012/000	2,5 sec.
C0013/000	1 sec.
C0015/000	50 Hz
C0016/000	5 %
C0017/000	0 Hz
C0037/000	50 Hz
C0087/000	1490 rpm
C0088/000	2,80 A
C0089/000	50 Hz
C0090/000	400 V
C0091/000	0,8
C0105/000	0,8 sec.
C0119/000	-1-
C0142/000	-3-
C0148/000	-1- (*)
C0410/001	-1-
C0415/001	-6-
C0415/002	-25-
C0416/000	-2-
C0417/001	-1-

(*) Motor identification will be 0 after applying

Drive motor
incl. thermistor

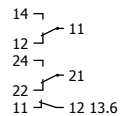
Failure
drive

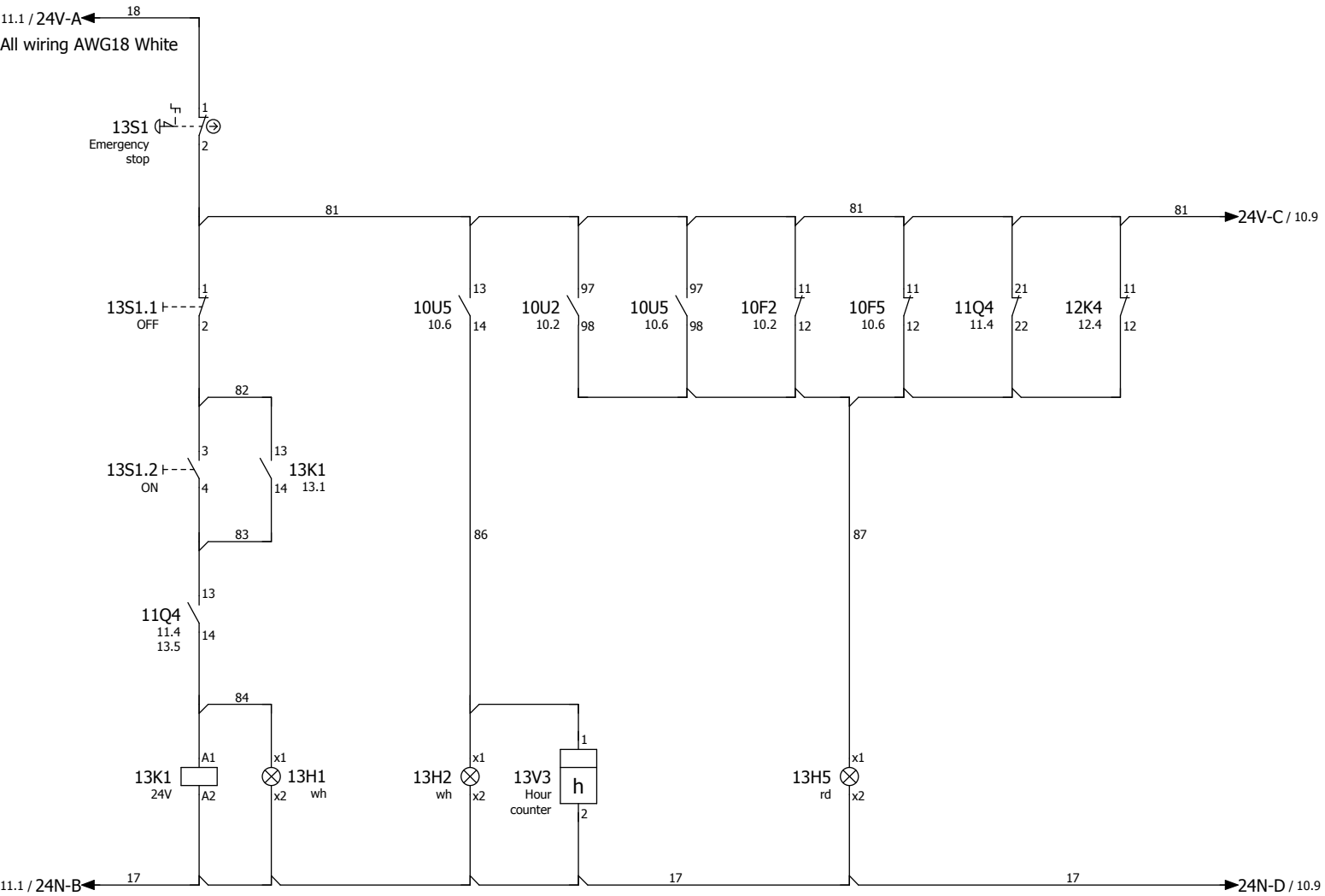
Brake

Speed

Travel

Max. Brake Direction
Speed





Control voltage ON Wheels ON Hours RUN Failure

1 2 11.4
 3 4 11.4
 5 6 11.4
 13 14 13.1
 21 22

			Date	16-2-2010	Project name:	2-20DT MKII/UL E00652/UL		Page description:	Control Current	Customer:	Blastrac BV	=	
			Ed.	FJK							Drawing number:	PJ09.1036.02	+
			Appr									Page	13
Modification	Date	Name	Last print	8-2-2011									

Parts list

device tag	Quantity	designation	Type number	Brand	part number
10Q0	1	Switch 3p. 63A	TEL.V3.3p.63A	Schneider Electric	V3
10Q0	1	Handle and frontplate	TEL.KCF.2PZ.60X60	Schneider Electric	KCF 2PZ
10Q0	1	Shaft extension	TEL.VZ.18	Schneider Electric	VZ 18
10Q0	1	Door Interlock Plate	TEL.KZ.74.V3..V6	Schneider Electric	KZ 74
10P1	1	Amp-meter	FAG.48.5A.40/80A	Faget	EIV48 301407
10U2	1	Softstarter	AB.C25NBR	Allen Bradley	150C25NBR
10F2	1	Miniature circuit breaker 3P 25A UL 489 type	ABB.MCB.3P.25A.489	Asea Brown Boveri	619875
10F2	1	Auxiliary contact UL489	ABB.MCB.Aux.cont.489	Asea Brown Boveri	615617
10L2	1	Current transformer	CEL.STRTR.40/5A	Celsa	06.02.0098
10S3	1;1	Pushbutton compl. red NC	TEL.XB5.AA42.NC	Schneider Electric	XB5 AA42
10S4	1	Pushbutton compl. green NO	TEL.XB5.AA31.NO	Schneider Electric	XB5 AA31
10P5	1	Amp-meter	FAG.48.5A.40/80A	Faget	EIV48 301407
10U5	1	Softstarter	AB.C25NBR	Allen Bradley	150C25NBR
10F5	1	Miniature circuit breaker 3P 25A UL 489 type	ABB.MCB.3P.25A.489	Asea Brown Boveri	619875
10F5	1	Auxiliary contact UL489	ABB.MCB.Aux.cont.489	Asea Brown Boveri	615617
10L5	1	Current transformer	CEL.STRTR.40/5A	Celsa	06.02.0098
11F1	1	Miniature circuit breaker 2P C2A UL 489 type	ABB.MCB.2P.C02A.UL489	Allen Bradley	1489-A2C020
11T1	1	Transformer 400/230V-24V 250VA	MUR.250VA.400V.24V	Murrelektronik	866810
11F1.1	1	Miniature circuit breaker 1P C10A	AB.MCB.1P.C10A	Allen Bradley	1492-SP1C100
11V2	1	Rectifier 400V-35A	Brugel 400V/35A		21.06.0015
11F2	1	Fuse terminal	WIE.WK10/Si U 5x20	Wieland	WK 10/Si U 5x20
11F2	1	End plate WK10	WIE.AP10Si	Wieland	AP 10/Si
11M3	1	Fan 24Vdc	FAN 808038 24VDC	EBM Papst	FAN 80*80*32 24VDC
11M3	1	Fan filter	FAN.FILTER	EBM Papst	221-336 kast kl.beh.
11M3	1	Fan finger guard	FAN.GUARD	EBM Papst	250-1612 kast kl.beh.
11Q4	1	Motor circuit breaker	TEL.GV2.ME08.1,1-1,5kW	Schneider Electric	GV2ME08
11Q4	1	auxiliary contact NO+NC - front mount.	TEL.GV.AE11	Schneider Electric	GVAE11
12U1	1	Frequency inverter	LEN.VECTOR.8200.1,5kW	Lenze	13142441
12U1	1	Frequency inverter display	LEN.VECTOR.8200.DISP	Lenze	E82ZBC
12U1	1	Frequency inverter	LEN.VECTOR.8200.I/O	Lenze	00491449
12R2.1	1	Trim-pot 1K	Potmeter 1K		Potmeterset 1K ZB4
12R2.1	1	Pot.meter	TEL.ZB4.BD912.POTMTR	Schneider Electric	ZB4 BD912
12K4	1	Relay 24V 2x changeover	FIN.40.52.24V	FINDER	40.52.8.24.0000
12S4	1	Switch handle	TEL.ZB5.AD2	Schneider Electric	ZB5 AD2
12S4	1	element NO with mountingbase	TEL.ZB5.AZ101.1NO	Schneider Electric	ZB5 AZ101
12S4.1	1	Switch handle	TEL.ZB5.AD2	Schneider Electric	ZB5 AD2
12S4.1	1	element NC with mountingbase	TEL.ZB5.AZ102.1NC	Schneider Electric	ZB5 AZ102
12F5	1	Fuse terminal	WIE.WK10/Si U 5x20	Wieland	WK 10/Si U 5x20
12F5	1	End plate WK10	WIE.AP10Si	Wieland	AP 10/Si
12S5	1	Switch handle	TEL.ZB5.AD2	Schneider Electric	ZB5 AD2
12S5	1	element NO with mountingbase	TEL.ZB5.AZ101.1NO	Schneider Electric	ZB5 AZ101
13S1.1	1	Pushbutton compl. red NC	TEL.XB5.AA42.NC	Schneider Electric	XB5 AA42
13S1.2	1	Pushbutton compl. green NO	TEL.XB5.AA31.NO	Schneider Electric	XB5 AA31
13K1	1	Contacto	TEL.LC1.D09.24V/25A 4kW	Schneider Electric	LC1 D09B7
13H1	1	Signal light White	TEL.XB5.AVB1.24V.Wit	Schneider Electric	XB5.AVB1
13H2	1	Signal light White	TEL.XB5.AVB1.24V.Wit	Schneider Electric	XB5.AVB1
13V3	1	Time counter 48x48 / 24VAC	MUL BW.40.18.24V	Hugo Müller GmbH & Co KG	BW40.18 24V/50Hz
13H5	1	Signal light Red	TEL.XB5.AVB4.24V.Rood	Schneider Electric	XB5.AVB4

22

Modification	Date	Name	Date	13-10-2010	Project name:	2-20DT MKII/UL E00652/UL	Page description:	Part list	Customer:	Blastrac BV	=
			Ed.						Drawing number:	PJ09.1036.02	+
			Appr								Page
			Last print	8-2-2011							30