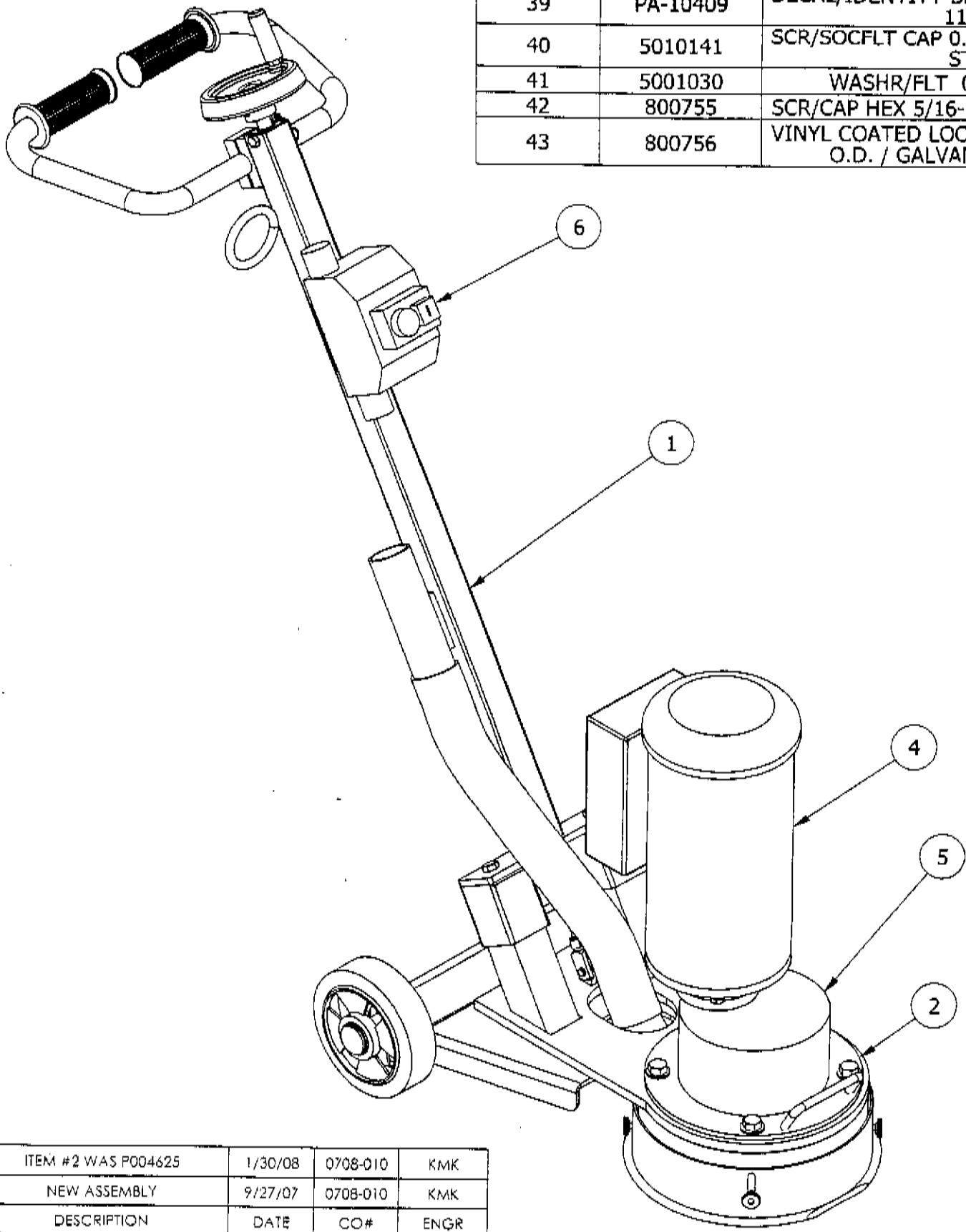



| ITEM NO. | PART NUMBER | DESCRIPTION |
|----------|-------------|--|
| 39 | PA-10409 | DECAL/IDENTITY-BLAS 115 |
| 40 | 5010141 | SCR/SOCFLT CAP 0.375 ST |
| 41 | 5001030 | WASHR/FLT 0.375 |
| 42 | 800755 | SCR/CAP HEX 5/16-24 |
| 43 | 800756 | VINYL COATED LOOP S O.D. / GALVANIZ |



| REV. | DESCRIPTION | DATE | CO# | ENGR |
|-----------|---------------------|---------|----------|------|
| 2 | ITEM #2 WAS P004625 | 1/30/08 | 0708-010 | KMK |
| 1 | NEW ASSEMBLY | 9/27/07 | 0708-010 | KMK |
| REV. | DESCRIPTION | DATE | CO# | ENGR |
| REVISIONS | | | | |

| 4 | 3 | 2 | 1 | |
|-------------|----------|--------------|---|-------------|
| Default/QTY | ITEM NO. | PART NUMBER | DESCRIPTION | Default/QTY |
| BGS-250- | 1 | BGS-250-9000 | BGS-250 PLATFORM | 1 |
| X 1.000 G8 | 2 | PG-10094 | ADAPTER PLATE (WITH HANDLE) | 1 |
| I STL | 3 | PG-10063 | TOOL ADAPTER | 1 |
| 0 GR8 STL | 4 | P004621 | MOTOR / ELECTRIC 115/230V, 1PH, 1.75HP, 60HZ | 1 |
| P FOR 1/2" | 5 | P004623 | GEAR REDUCER / PARALLEL SHAFT | 1 |
| TEEL | 6 | P004562 | CONTROL PANEL AND HARNESS | 1 |
| | 8 | DG05 | ADAPTER DISK | 1 |
| | 10 | 5007670 | SCR/CAP HEX 0.375-16 X 1.000 G5 STL | 4 |
| | 11 | 5001150 | WASHR/LOCKSPRG 0.375 G5 STL | 4 |
| | 15 | P004003 | NUT/NYLON INSERTED M10.0 X 1.50 | 3 |
| | 16 | 4774840 | WASHR/FLT M10.0 | 9 |
| | 20 | B20507 | TUBE / SPACER | 6 |
| | 21 | 4774800 | WASHR/LOCKSPRG M10.0 G 5.8 STL | 3 |
| | 22 | P004002 | SCR/CAP HEX M10.0 X 1.50 X 55 | 3 |
| | 23 | 800752 | SCR/CAP HEX M10.0 X 1.50 X 45 | 3 |
| | 25 | 6831030 | KEY/PARALLEL .187 X .187 X 1.25 LG | 1 |
| | 26 | PG-10071 | BSDP ADAPTER PLATE | 1 |
| | 27 | 05-71510 | #10-32 NYLOK NUT | 4 |
| | 28 | 05-72300 | #10-32 FLAT WASHER | 4 |
| | 29 | P004077 | SCREW/FLAT HEAD CAP, M12-1.75 X 30LG | 4 |
| | 30 | CP-10061 | FLEXIBLE COUPLING | 1 |
| | 31 | 5002220 | SCR/CAP HEX 0.500-13 X 1.750 | 4 |
| | 32 | 5001060 | WASHR/FLT 0.500 G8 STL | 8 |
| | 33 | 05-78108 | 1/2"-13 NYLOK NUT | 4 |
| | 34 | P001419 | DECAL/WARNING - FLYING DEBRIS AND LOUD NOISE HAZARDS. WEAR EAR & EYE PROTECTION | 2 |
| | 35 | P002055 | SIGN/WARNING - DO NOT OPERATE MACHINE WITH GUARD REMOVED | 2 |
| | 36 | 6836500 | STICKER/SAFETY | 1 |
| | 37 | 05-55501 | PLATE/SERIAL-NUMBER USF/SAWTEC | 1 |
| | 38 | P002445 | DECAL/WARNING-HOT SURFACE INSIDE | 1 |

NOTE: ITEM #6 (P004562) CAN BE SUBSTITUTED WITH P004567 IF NECESSARY.

| | | | | |
|--|--|-----------|------|--|
| UNLESS OTHERWISE SPECIFIED: | | NAME | DATE |  13201 NORTH SANTA FE OKLAHOMA CITY, OK 73114 800.256.3440 405.478.3440 |
| DIMENSIONS ARE IN INCHES TOLERANCES: FRACTIONAL ± ANGULAR: 2° TWO PLACE DECIMAL ±.03 THREE PLACE DECIMAL ±.010 | | DRAWN | KMK | |
| INTERPRET GEOMETRIC TOLERANCING PER: N/A | | CHECKED | | TITLE: BGS-250 115V, 60HZ |
| MATERIAL | | ENG APPR. | | |
| FINISH | | MFG APPR. | | SIZE DWG. NO. REV B BGS-250-115 2 |
| DO NOT SCALE DRAWING | | Q.A. | | |
| PROPRIETARY AND CONFIDENTIAL THE INFORMATION CONTAINED IN THIS DRAWING IS THE SOLE PROPERTY OF BLASTRAC. ANY REPRODUCTION IN PART OR AS A WHOLE WITHOUT THE WRITTEN PERMISSION OF BLASTRAC IS PROHIBITED. | | COMMENTS: | | SCALE: 1:6 WEIGHT: SHEET 1 OF 2 |

8

7

6

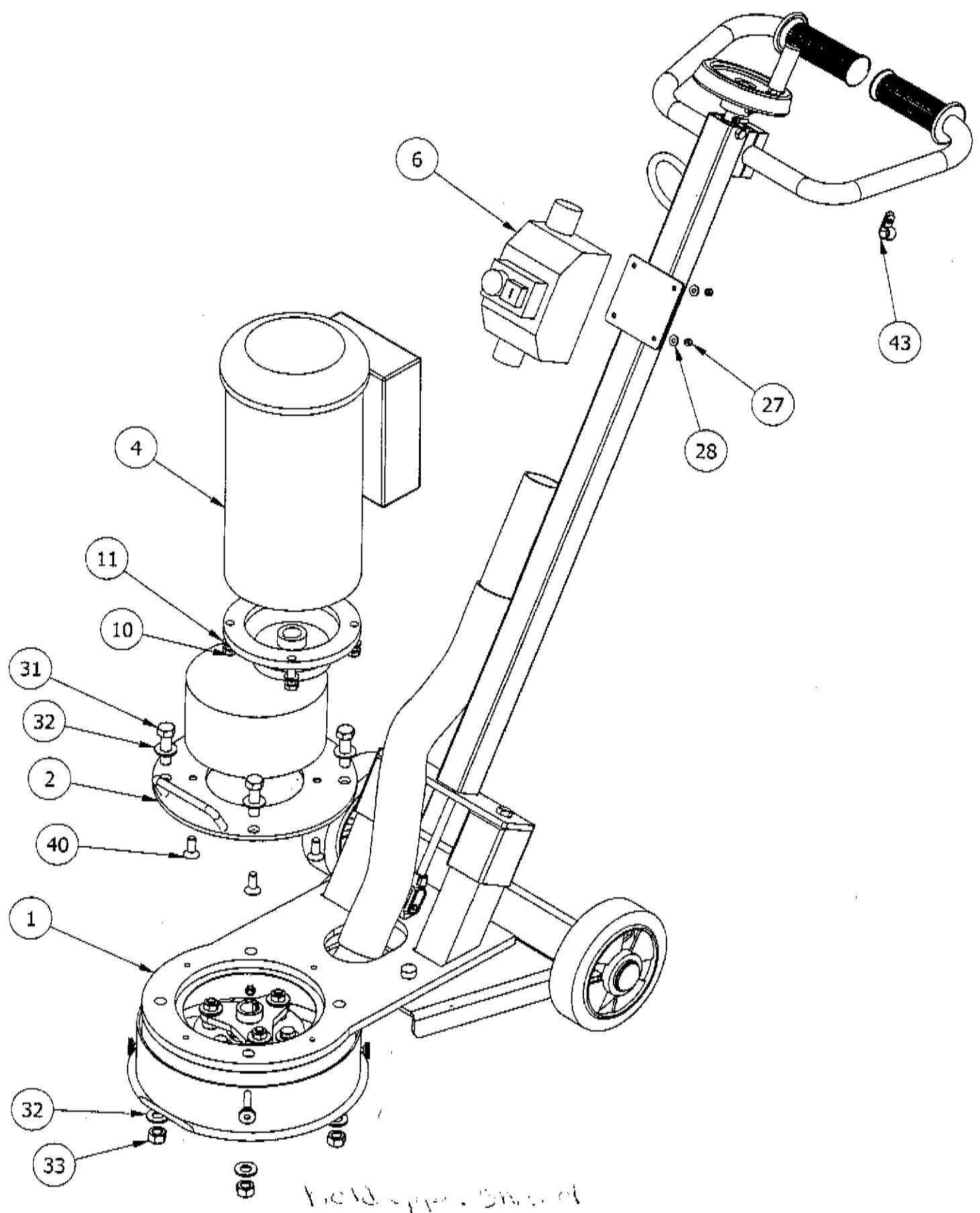
5

D

C

B

A



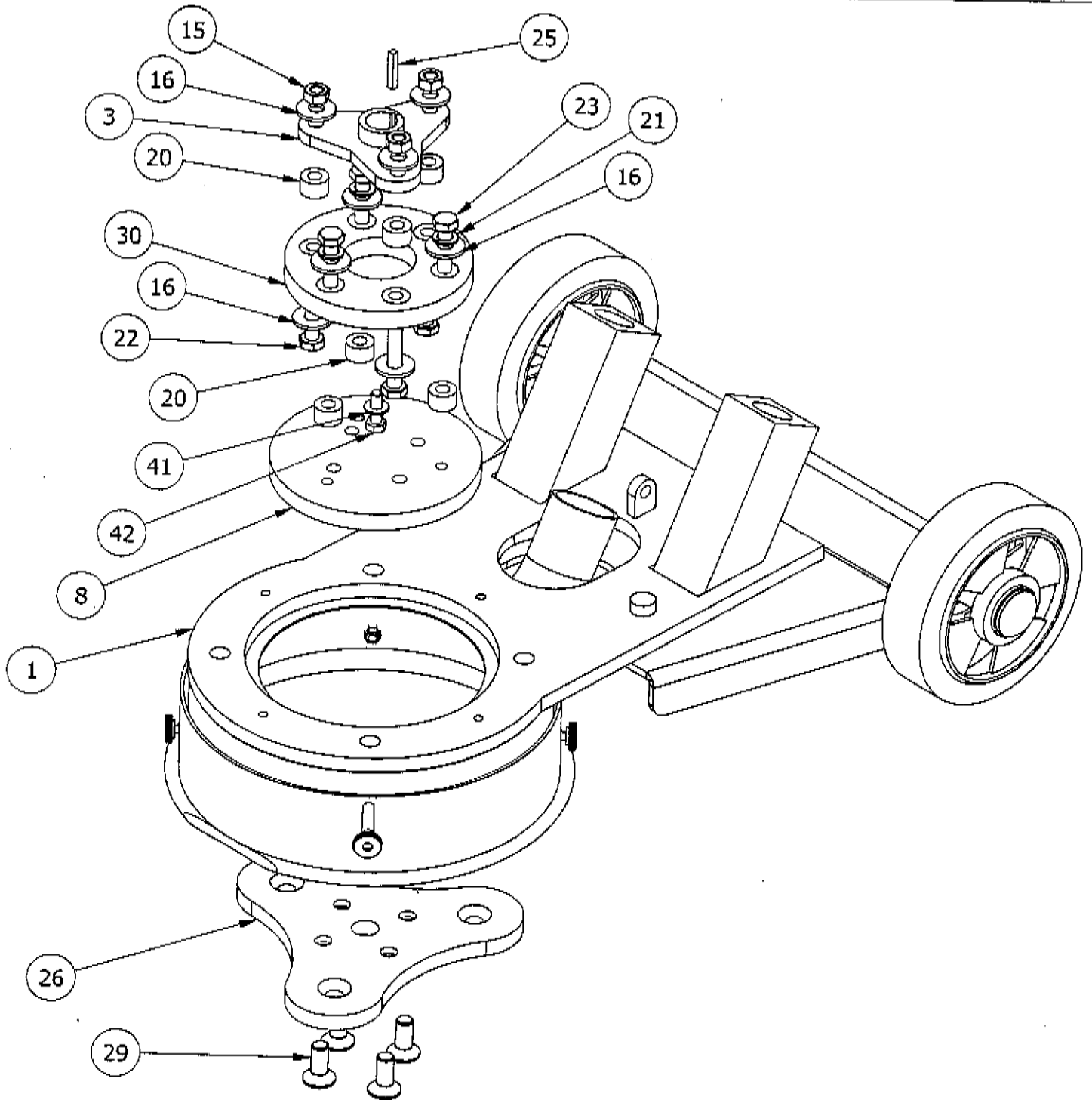
field app. 2/20/08

4

3

2

1



D

C

B

A

| | |
|--------------------------------------|-----|
| UNLESS OTHERWISE SPECIFIED: | |
| DIMENSIONS ARE IN INCHES | |
| TOLERANCES: | |
| FRACTIONAL ± | |
| ANGULAR: 2° | |
| TWO PLACE DECIMAL ±.03 | |
| THREE PLACE DECIMAL ±.010 | |
| INTERPRET GEOMETRIC TOLERANCING PER: | N/A |
| MATERIAL | |
| FINISH | |
| DO NOT SCALE DRAWING | |

| | |
|-----------|------|
| NAME | DATE |
| DRAWN | |
| CHECKED | |
| ENG APPR. | |
| MFG APPR. | |
| Q.A. | |
| COMMENTS: | |

| | | | |
|-------------------------------------|--------------------------------|---|--|
| BLASTRAC | | 11201 NORTH SANTA FE OKLAHOMA CITY, OK 73114 405.256.3410 405.278.3440 | |
| TITLE: BGS-250 115V, 60HZ | | | |
| SIZE B | DWG. NO. BGS-250-115 | REV 2 | |
| SCALE: 1:6 | WEIGHT: 315.58 | SHEET 2 OF 2 | |

PROPRIETARY AND CONFIDENTIAL
 THE INFORMATION CONTAINED IN THIS DRAWING IS THE SOLE PROPERTY OF BLASTRAC. ANY REPRODUCTION IN PART OR AS A WHOLE WITHOUT THE WRITTEN PERMISSION OF BLASTRAC IS PROHIBITED.

4

3

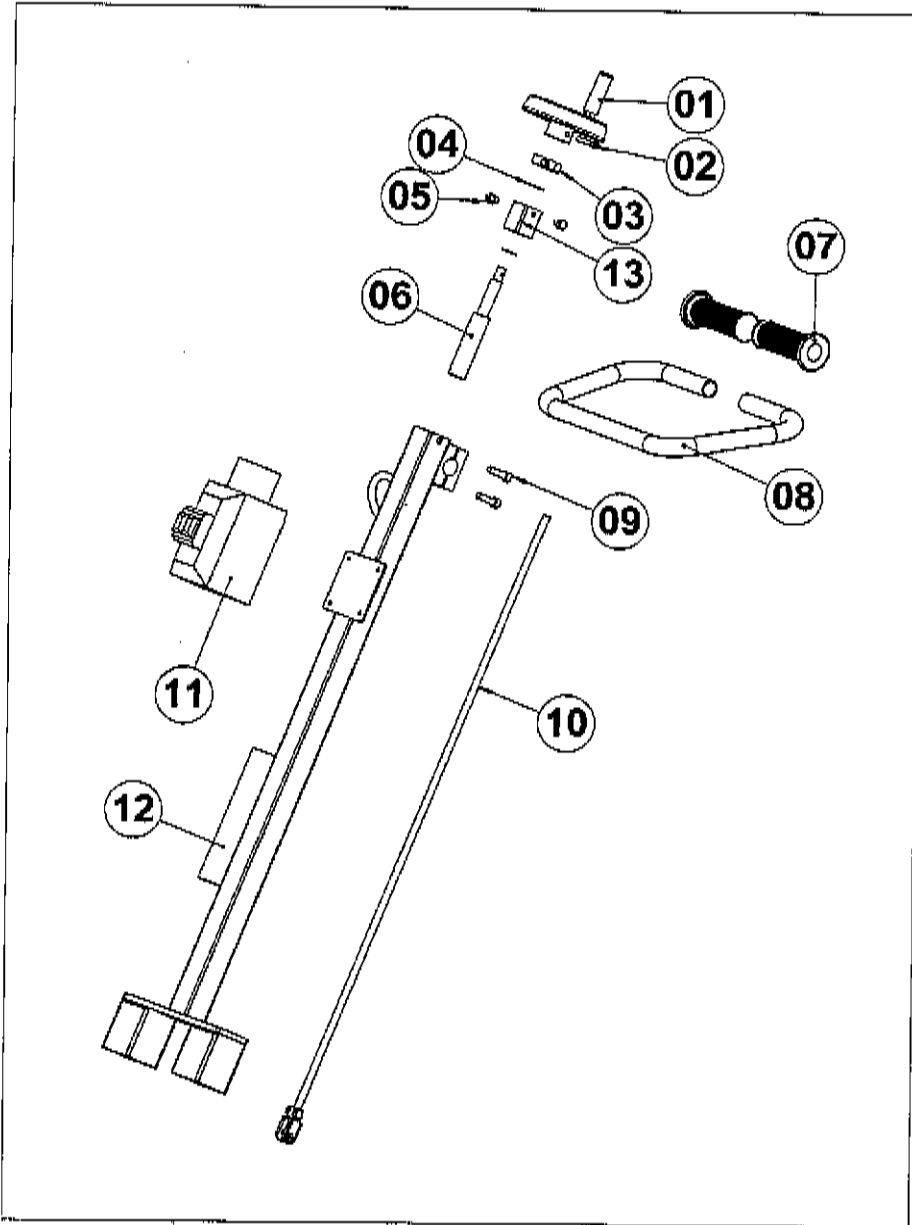
2

1

| ITEM | PART-NO. | DESCRIPTION | QTY. |
|------|----------|---|------|
| 1 | P004621 | Motor 115V / 60 Hz | 1 |
| 2 | P004623 | Gear reducer | 1 |
| 3 | PG-10094 | Adapter Plate with handle | 1 |
| 4 | E03751 | Base plate | 1 |
| 6 | E03759 | Upper dust hood | 1 |
| 7 | E03760 | Lower dust hood | 1 |
| 8 | PG-10063 | Tool Adapter | 1 |
| 9 | CP-10061 | Flexible Coupling | 1 |
| 10 | DG05 | Adapter Disc | 1 |
| 11 | E03752 | Drive bracket | 1 |
| 12 | BE0096 | Washer M20 | 4 |
| 13 | E03603 | Wheel | 2 |
| 14 | BE0096 | Starlock ring $\varnothing 20$ | 2 |
| 15 | E03563 | Mini leveler | 1 |
| 18 | BE0020 | M6x20 bolt | 4 |
| 19 | BE0016 | M6 washer | 4 |
| 20 | E03826 | Nylon washer $\varnothing 18 \times 6 \times 1.6$ | 8 |
| 21 | BE0018 | M6 nut | 4 |
| | 004583 | Dust hose | 1 |



SPARE PARTS LIST - BGS-250-115-S



| ITEM | PART-NO. | DESCRIPTION | QTY. |
|------|----------|---|------|
| 1 | E03786 | Hand wheel | 1 |
| 2 | BE0093 | M6 x 35 hex Socket head cap | 1 |
| 3 | BE0094 | Clamp adjusting ring | 1 |
| 4 | BE0095 | Shim Ø16x22x0.5 | 2 |
| 5 | BE0098 | Bolt M8x10 | 2 |
| 6 | E03754 | Spindle sleeve | 1 |
| 7 | E03824 | Handle grip | 2 |
| 8 | E03758 | Handle bar | 1 |
| 9 | BE0083 | M8x30 hex. Socket head cap | 2 |
| 10 | E03756 | Spindle | 1 |
| 11 | P004562 | Electrical control panel and harness 115V / 60Hz | 1 |
| 12 | E03753 | Handle | 1 |
| 13 | E03757 | Sleeve Bearing | 1 |



