

---

**Contents Chapter 10**

---

10.1 Spare parts

**Spare parts****10.1 Spare parts****Blast housing and seals**

Item	Part no.	Description	Qty.
1	-	Bolt M10x50 + 2 x Nut M10	3
2	350-1059-SE	Front locating plate outer	1
3	350-1054-SE	Front skirt outer	1
4	-	Front seal angle (part of blast housing)	1
5	350-1053-SE	Front skirt intermediate	1
6	350-1058-SE	Locating plate inner	1
7	350-1057-SE	Front skirt fixing plate	1
8	350-1052-SE	Front skirt inner	1
9	350-9006-S	Blast housing cabinet	1
10	350-2010-SEV	Front wheel castor complete	1
11	350-1021-SE	Side seal spring plate	2
12	350-1020-SE	Side seal (set of 2)	1
13	350-1060-SE	Side skirt (set of 2)	1
14	350-1061-SE	Side skirt fixing plate	2
15	350-1050-SE	Side brush (set of 2)	1
16	-	Bolt M6x16 + washer + spring lock washer	6
17	350-1045-SE	Back brush	1
18	350-1047-SE	Back brush skirt	1
19	350-1115	Top liner cover	1

Spare parts

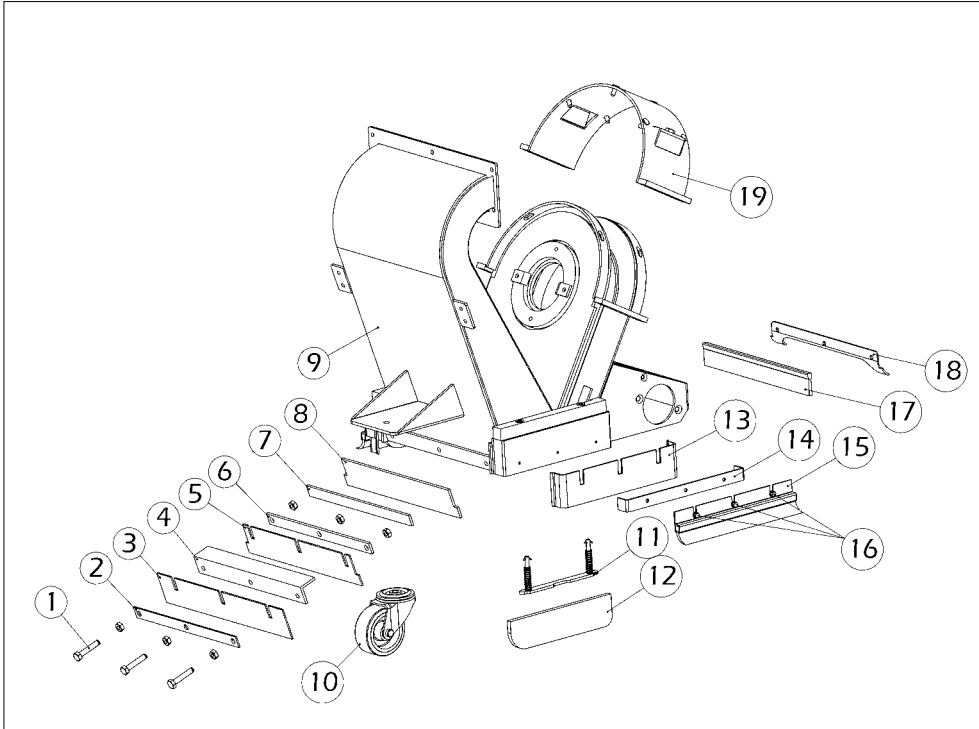


Fig. 10.1

**Spare parts**

**Blast wheel parts and liners**

Item	Part no.	Description	Qty.
1	350-1245-SEV	Impeller bolt	1
2	350-9041-SEVU	Control cage clamp	2
3	350-1010	Control cage	1
4	350-1015	Impeller	1
5	350-1025	Blastwheel	1
6	350-1005	Blades (set of 6)	1
7	222-2265	Taperlock adapter blastwheel	1
8	222-2290	Blastwheel shaft taperlock bush	1
9	350-1040	Top liner	1
10	350-1035-SE	Liner RH	1
11	350-1030-SE	Liner LH	1

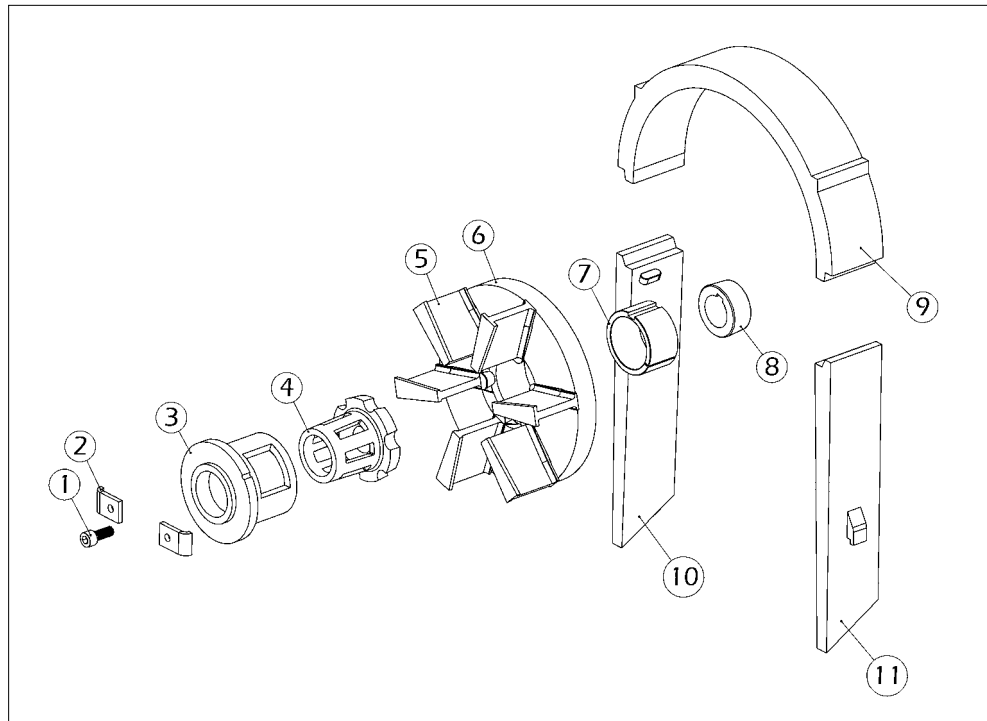


Fig. 10.2

**Separator and hopper**

Item	Part no.	Description	Qty.
1	350-9120-SE	Separator housing	1
2	350-9112-SE	Shot valve handle	1
3	350-1069-SE	Shot lever shaft complete	1
4	350-9119-SE	Separator door	1
5	350-9117-SE	Separator drawer lock plate	1
6	350-1111-SE	Separator screen tray	1
7	350-9118-SE	Baffle plates	1
8	350-1067-SE	Abrasive storage hopper	1
9	350-2015-SE	Shot valve axle	1
10	350-9240-S	Shot valve axle housing	1
11	350-1071-SE	Shot valve insert steel	2
12	350-1070-SE	Shot valve insert rubber	1
13	350-1065-SE	Feed spout rubber	1

**Spare parts**

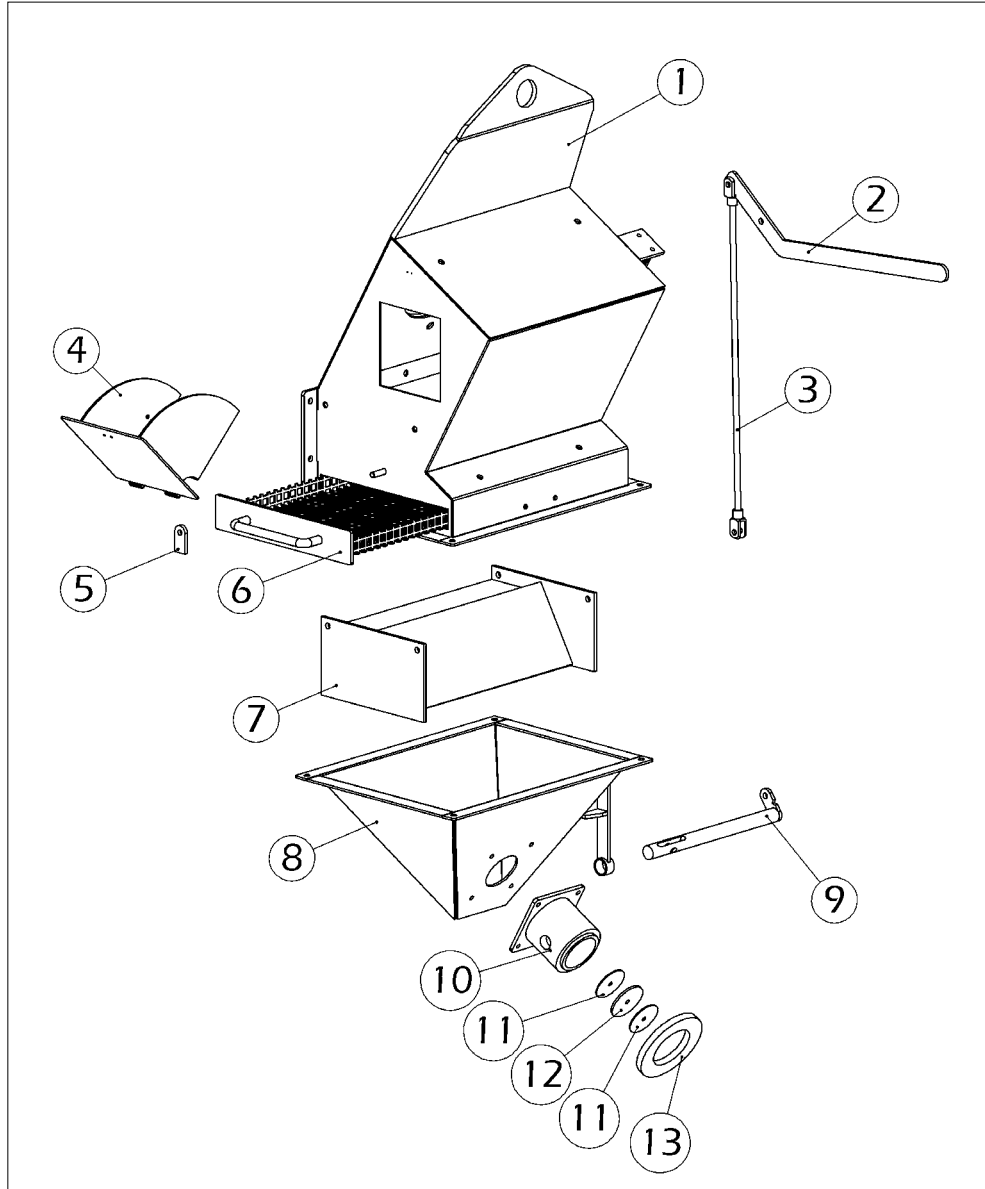


Fig. 10.3

Fan Unit

Item	Part no.	Description	Qty.
1	350-3055-S	Fan motor 1.5 kW	1
2	350-9030	Fan housing plate (top)	1
3	350-1085-SE	Fan impeller	1
4	350-1090-SE	Fan housing	1
5	350-9025	Fan housing plate (bottom)	1
6	035-9035	Fan ring	1
7	035-1125	Fan housing seal	1

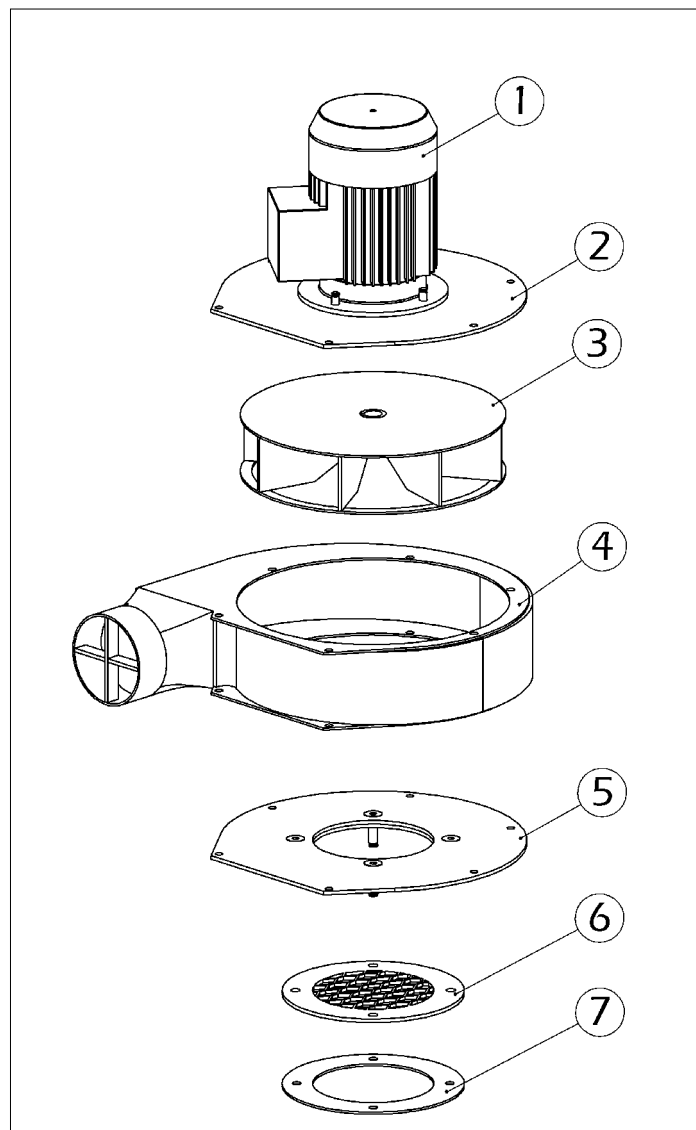


Fig. 10.4

**Spare parts****Control handle and blast wheel drive**

Item	Part no.	Description	Qty.	Hz.
1	350-9110-UNI	Control box UNI	1	
2	350-9085-S	Handle complete	1	
3	350-3020-SEP	Blastmotor 11kW	1	
4	350-2170	Belt pulley (50Hz)	1	50Hz
	350-2180	Belt pulley (60Hz)	1	60Hz
5	222-2171	Taperlock bush	1	50/60Hz
6	350-2430-S	Blastmotor belt	1	
7	350-9255-S	Beltguard complete	1	
8		Bolt M10x25 + washer Ø40	1	
9	222-2290	Blastwheel shaft taperl. bush (60Hz)	1	60Hz
10	350-2175	Belt pulley (50Hz)	1	50Hz
	350-2345	Belt pulley (60Hz)	1	60Hz
11+12	350-9027-SE	Belt guard back plates	1	
13	350-2464-SEVU	Blast wheel shaft spacer 8mm	1	50Hz
	350-2463-SEVU	Blast wheel shaft spacer 32mm	1	60Hz
14	350-2451-SEV	Blastwheel bearing house complete	1	
15	350-9007-SEVU	Blast motor mount plate	1	
16	350-9080-S	Hydraulic tank	1	



Spare parts

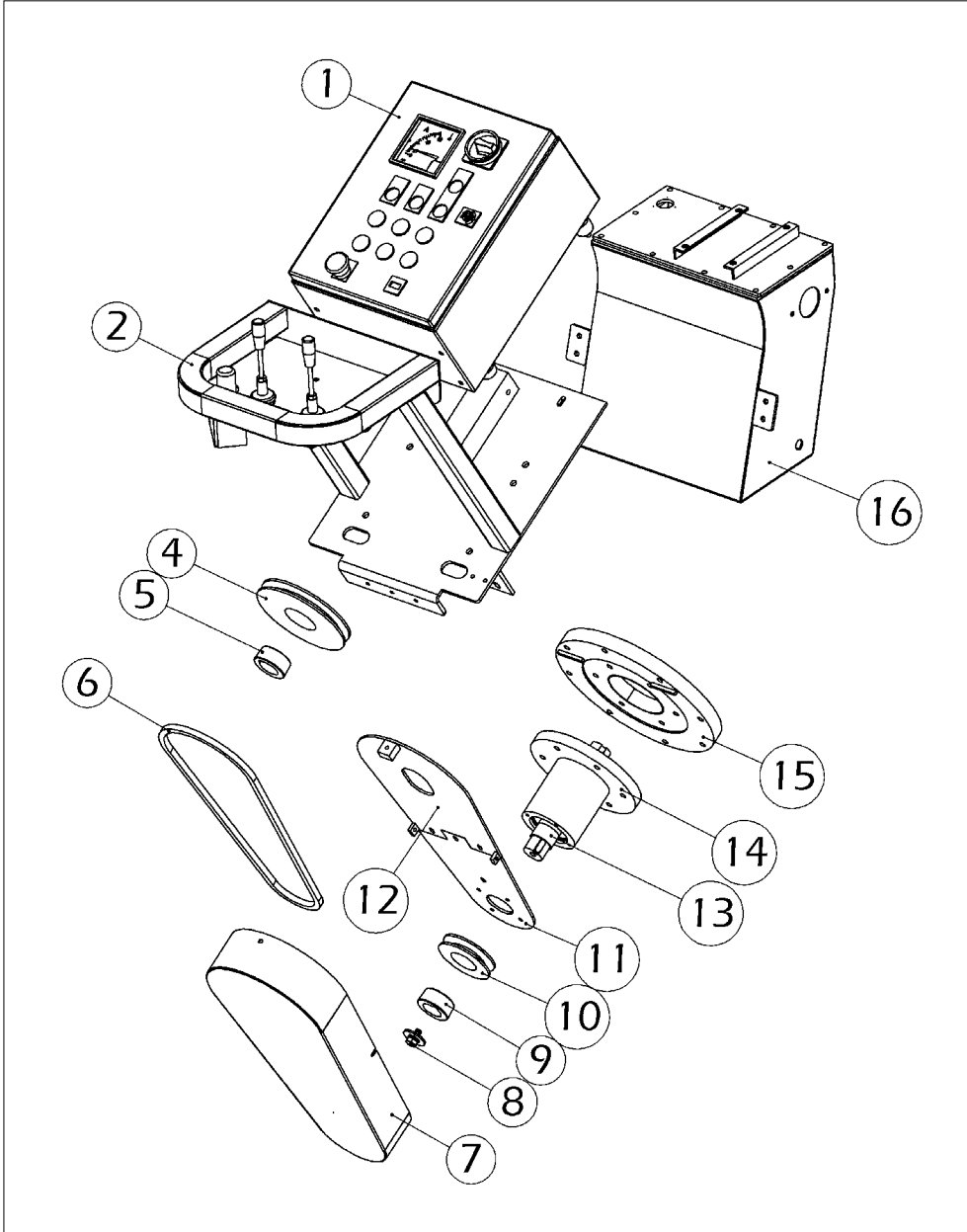


Fig. 10.5

**Spare parts****Hydraulic set**

Item	Part no.	Description	Qty.
1	350-4101-S	Hydraulic hose set complete	1
2	035-4040	Sucktion filter	1
3	035-4175-S	Pressure relief valve	1
4	350-4115-S	Flange coupling	2
5	035-4105-S	Hydraulic directional control valve	2
6	035-4173-S	Return filter housing	1
7	035-4174-S	Return filter element	1
8	350-3085-S	Filling venting filter	1
9	350-4020	Gear pump	1
10	350-4114-S	Pump bracket (aluminium)	1
11	350-4116-S	Flexible coupling (aluminium)	1
12	350-3060-S	Pump motor 1.5kW	1
13	350-4172-S	Level gauge with thermo	1
14	350-4005-S	Hydraulic drive motor	2
15	350-3080-S	Flow control valve	1

Spare parts

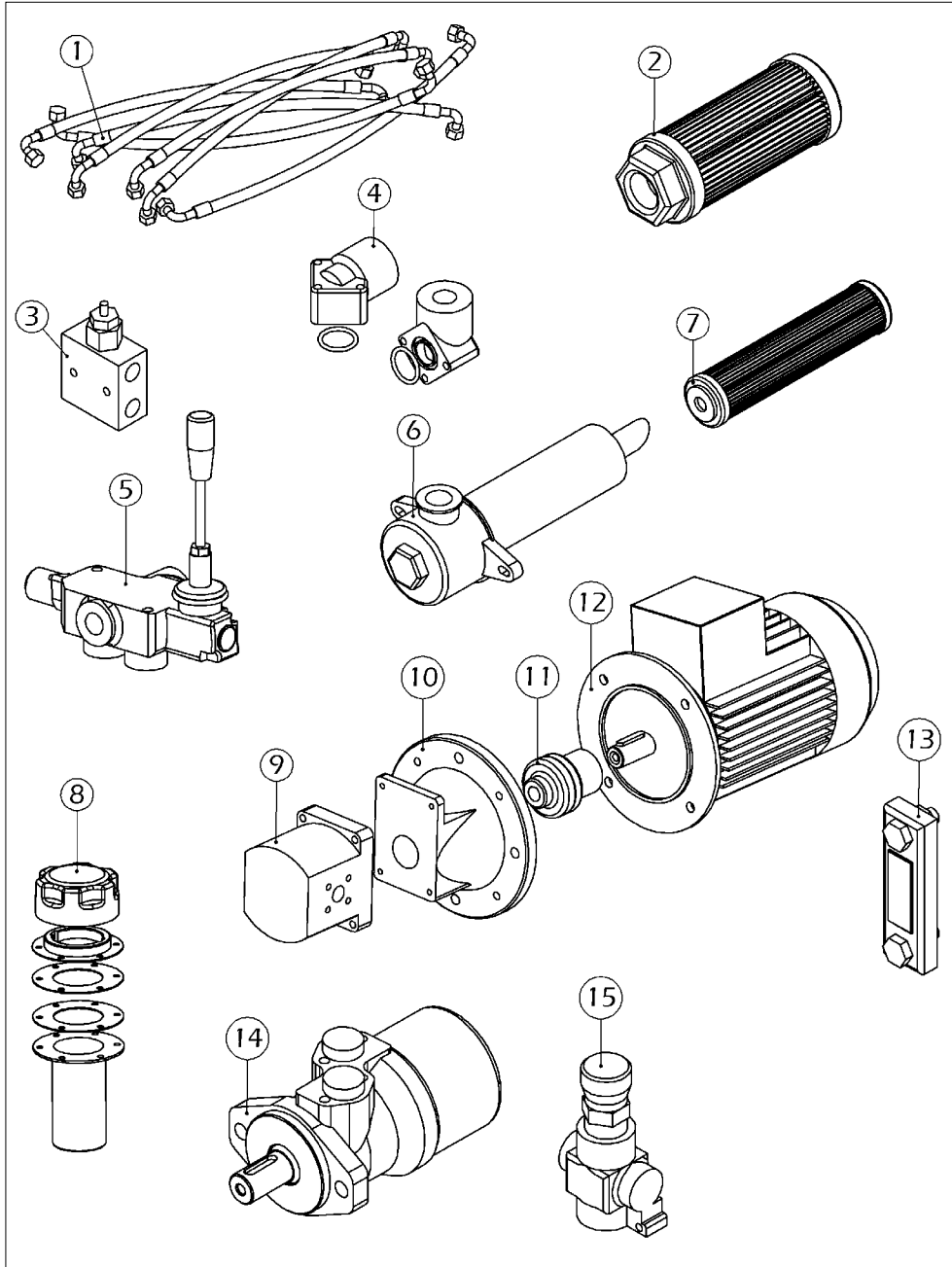


Fig.10.6