
Contents Chapter 10

10.1 Spare parts

Spare parts**10.1 Spare parts****Blast housing and seals**

Item	Part no.	Description	QTY.
1	350-1059-SE	Locating plate outer	1
2	350-1054-SE	Front skirt outer	1
3	-	Front seal angle (machine)	1
4	350-1053-SE	Front skirt intermediate	1
5	350-1058-SE	Front locating plate inner	1
6	350-1057-SE	Front skirt fixing plate	1
7	350-1052-SE	Front skirt inner	1
8	350-9006-E	Blast housing cabinet	1
9	350-2010-SEV	Front wheel castor complete	1
10	350-1021-SE	Side seal spring plate	2
11	350-1020-SE	Side seal	2
12	350-1060-SE	Side skirt	2
13	350-1061-SE	Side skirt fixing plate	2
14	350-1050-SE	Side brush	2
15	350-1045-SE	Back brush	1
16	350-1047-SE	Back brush skirt	1
17	350-1115	Topliner cover manganese	1

Spare parts

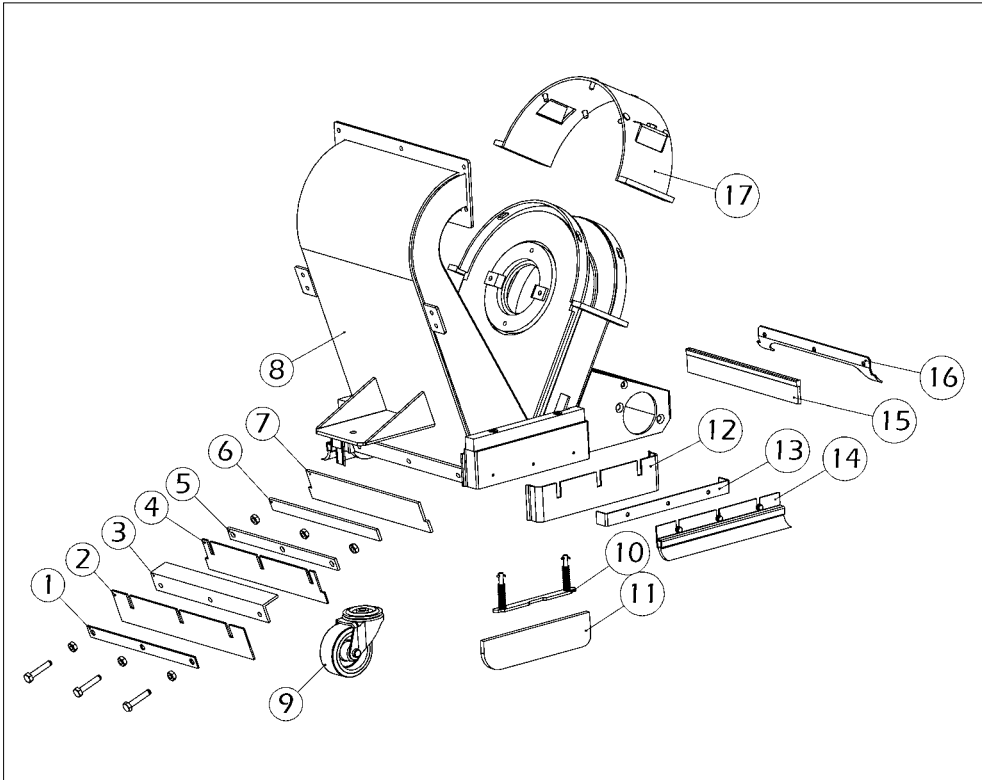


Fig. 10.1

Spare parts

Blast wheel parts and liners

Item	Part no.	Description	QTY.
1	350-1245-SEV	Impeller bolt	1
2	350-9041	Cage clamp	2
3	350-1010	Control cage	1
4	350-1015	Impeller	1
5	350-1025	Blastwheel	1
6	350-1005	Blades (set of 6)	1
7	222-2265	Taperlock adapter blastwheel	1
8	222-2290	Blastwheel shaft taperlock bush	1
9	350-1040	Top liner	1
10	350-1035-SE	Liner RH	1
11	350-1030-SE	Liner LH	1

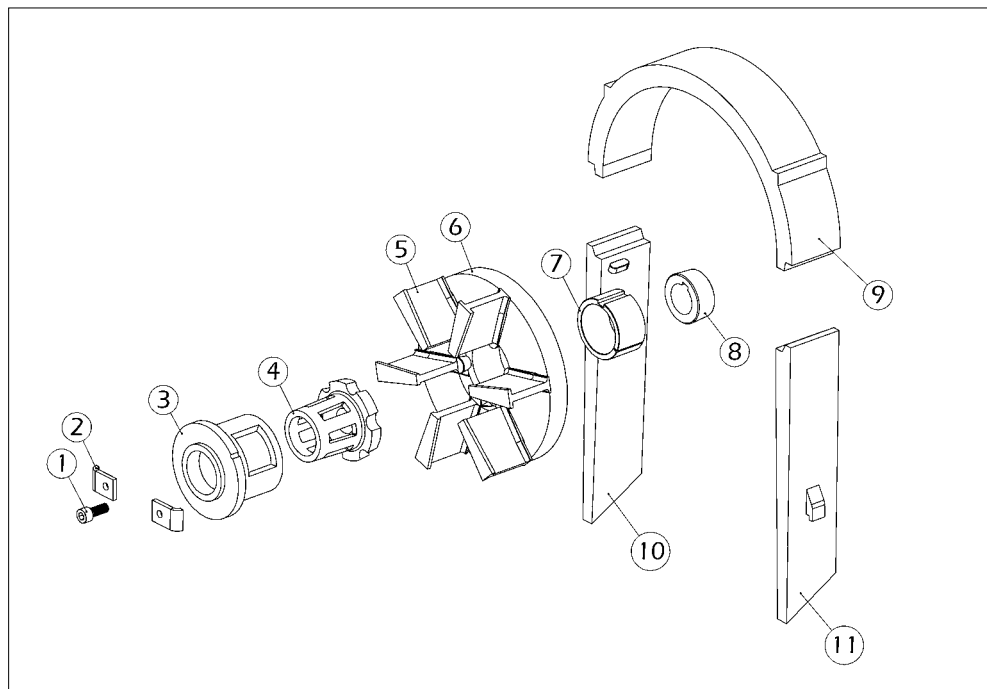


Fig. 10.2

Spare parts

Separator and hopper

Item	Part no.	Description	QTY.
1	350-9120-SE	Separator housing	1
2	350-9112-SE	Shot valve handle	1
3	350-1069-SE	Shot valve lever long	1
4	350-9119-SE	Separator door	1
5	350-9117-SE	Separator drawer lock plate	1
6	350-1111-SE	Separator tray	1
7	350-9118-SE	Baffle plates	1
8	350-1067-SE	Abrasive storage hopper	1
9	350-2015-E	Shot valve axle	1
10	350-9240-S	Shot valve axle housing	1
11	350-1070-SE	Shot valve insert rubber	2
12	350-1071-SE	Shot valve insert steel	1
13	350-1065-SE	Feed spout rubber	1

Spare parts

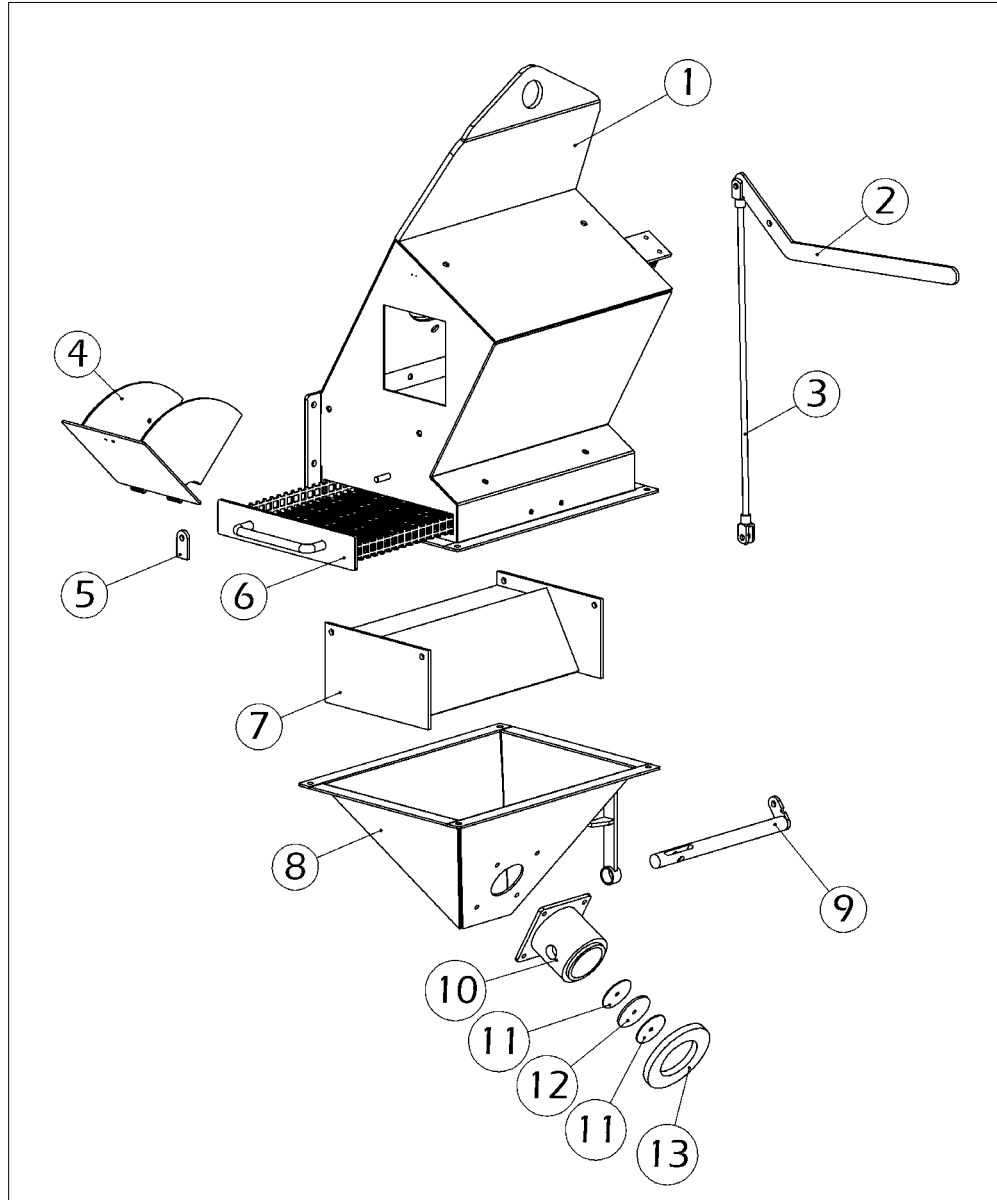


Fig. 10.3

Spare parts

Fan Unit

Item	Part no.	Description	QTY.
01	350-3055-S	Fan motor 1.5 kW	1
02	350-9030	Fan housing plate (top)	1
03	350-1085 SE	Fan impeller	1
04	350-1090-SE	Fan housing	1
05	350-9025	Fan housing plate (bottom)	1
06	035-9035	Fan ring	1

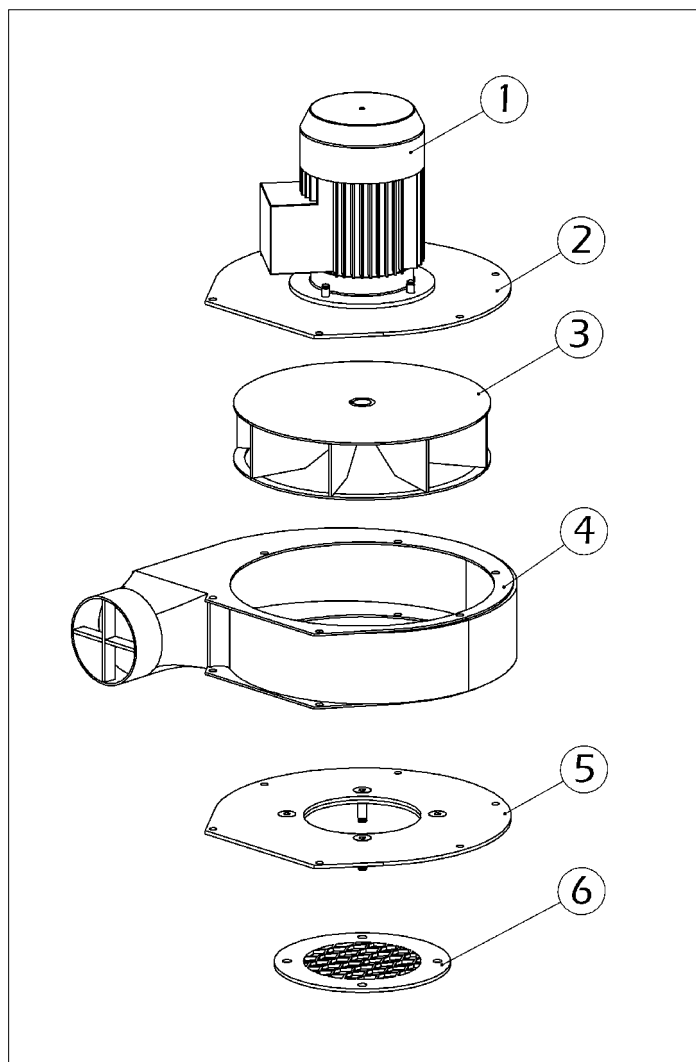
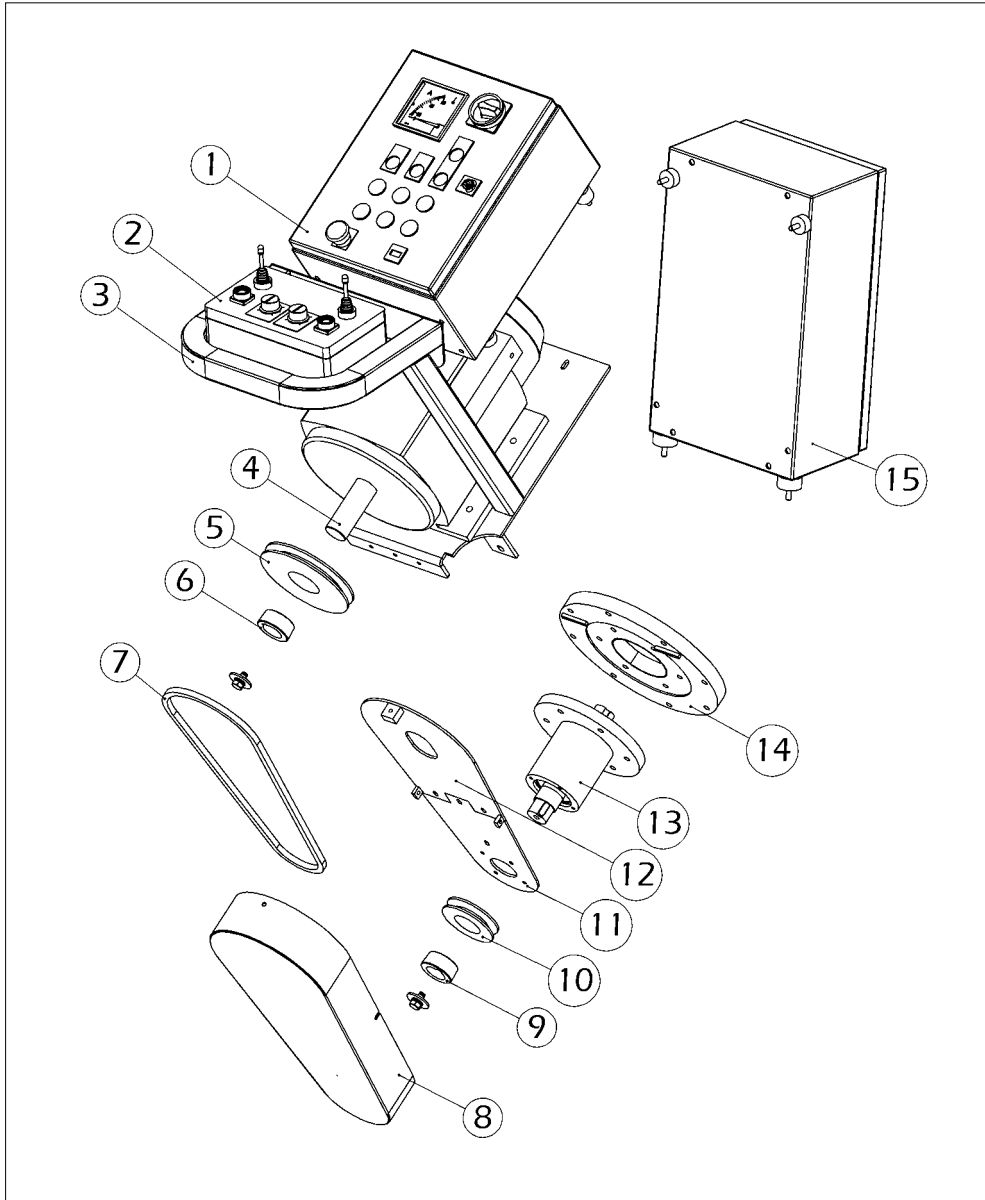


Fig. 10.4

Spare parts
Control handle and blast wheel drive

Item	Part no.	Description	Qty.	Hz.
01		Control box	1	
02		Remote control box	1	
03	350-9085-E	Handle complete	1	
04	350-3020-SEP	Blastmotor 11kW	1	
05	350-2170	Belt pulley SPA 170/2 (50Hz)	1	50Hz.
	350-2180	Belt pulley SPA 160/2 (60Hz)	1	60Hz.
06	222--2171	Taperlock 2012 38 mm	1	50/60Hz.
07	350-2430-S	Blastmotor belt	1	
08	350-9255-S	Beltguard complete	1	
09	222-2290	Blastwheel shaft taperl. bush (60Hz)	1	60Hz.
10	350-2175	Belt pulley SPA 80/2 (50Hz)	1	50Hz.
	350-2345	Belt pulley SPA 90/2 (60Hz)	1	60Hz.
11	350-9027-SE_5	Belt guard plate bottom	1	
12	350-9027-SE_1	Belt guard top plate	1	
13	350-2451-SV	Bearing unit	1	
14	350-9007-SEVU	Blast motor mount plate	1	
15		Electrobox UNI	1	

Spare parts



Spare parts**Drive system**

Item	Part no.	Description	QTY.
1	500-3011-E	Drive motor	2
2	500-1125-E	Drive motor shaft	2
3	222-2810-VH	Drive motor sprocket 3 / 8 17t	2
4	350-9129-E	Drive motor plate outer left	1
5	350-9131-E	Drive motor plate inner left	1
6	350-9130-E	Drive motor plate outer right	1
7	350-9132-E	Drive motor plate inner right	1
8	350-2185-E	Drive wheel	2
9	500-1135-E	Bearing Flange Drive wheel shaft	4
10	222-2331-E	Drive wheel bearing 6205-2RS1	4
11	500-1130-E	Drive wheel shaft	2
12	222-2525-VH	Drive wheel sprocket 3/8 1210 / 27	2
13	222-2285-V	Taperlock bush 1210 25	2
14	350-2213-E	Drive motor chain	2
15	350-9105-E	Rear wheel drive chain guard	2

Spare parts

