



SERVICE MANUAL EBE-900VMB

VERSION 1.1

Index

1. Spare parts	03
2. Maintenance box	12
Contact	13



1. Spare parts

Fig. 01

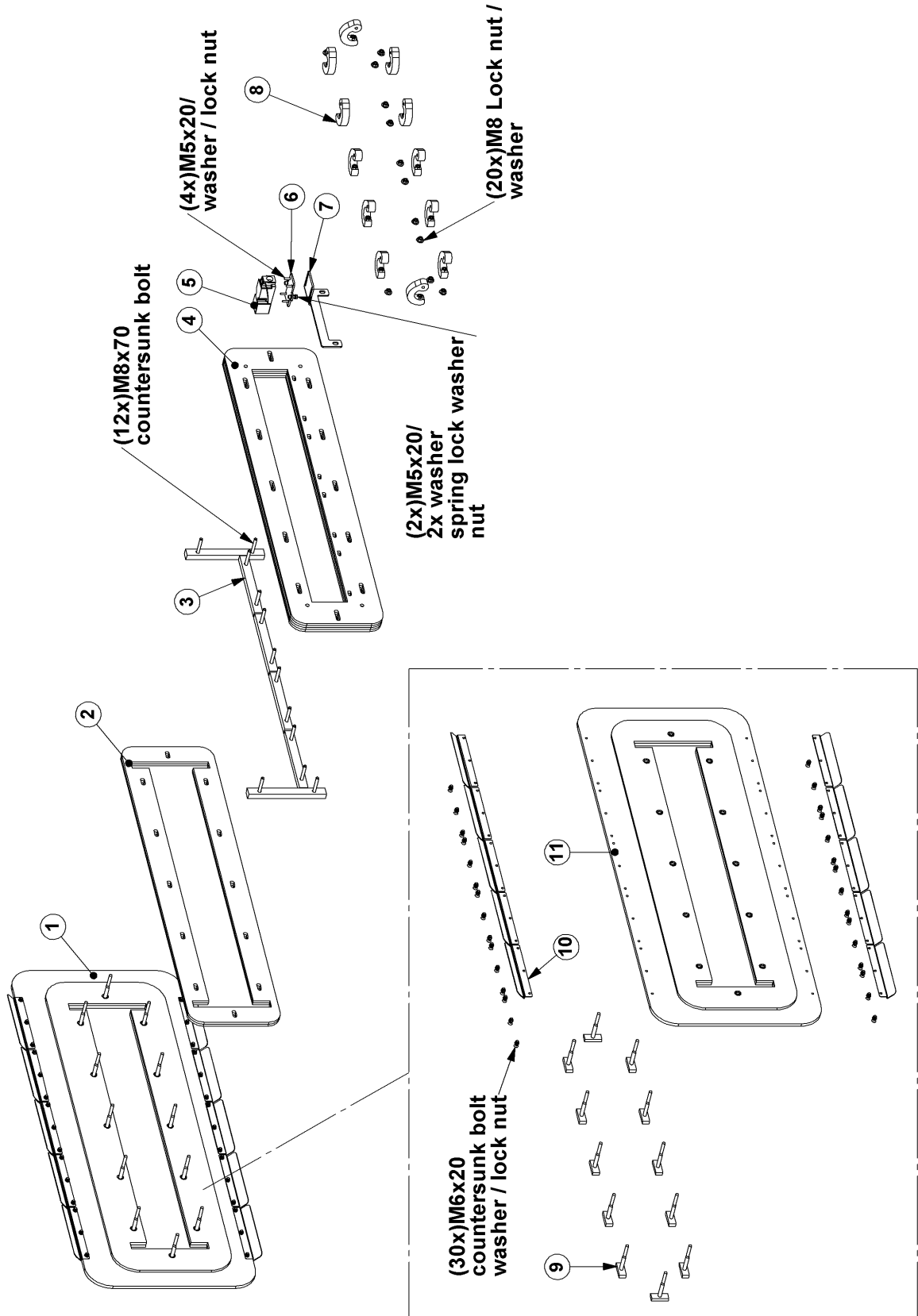


Fig. 01

Item	Part number	Description	Qty.
1	E09185/complete	Mouth seal front complete with bolts & plates	1
2	E09188	Mouth seal magnet plate	2
3	969763	Magnet front	6
4	E09189	Mouth seal back plate	4
5	035-3365-VH	Proximity Switch	1
6	E09636	Proximity Switch plate	1
7	E09628	Proximity switch bracket	1
8	E09288	Rubber spring	12
9	E09287	Mouth seal bolt	12
10	E09646	Angle strip	10
11	E09185	Mouth seal front plate only	1
1-8	E09184	Mouth seal complete without switch	1

Fig. 02

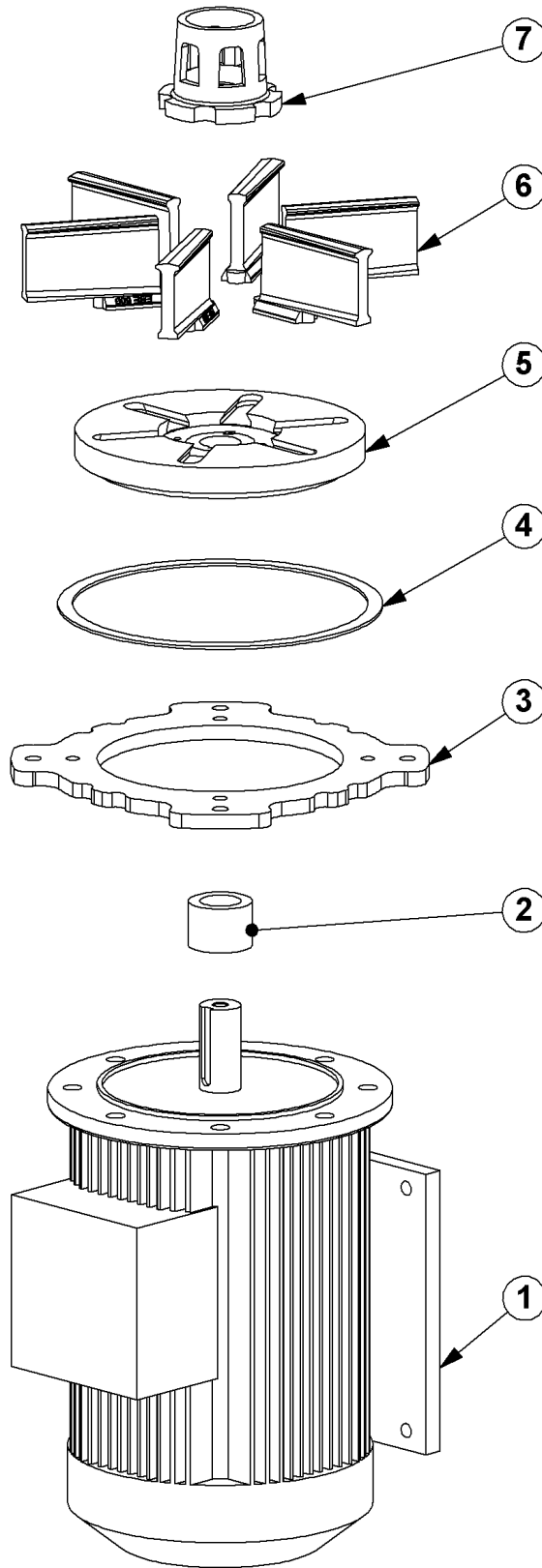


Fig. 02

Item	Part number	Description	Qty.
1	500-3020-SHEV-35HP	Blast motor	2
2	E09281	Distance bush blast wheel	2
3	E09258	Motor flange	2
4	E00453	Foam seal 15x3 L=1100mm	2
5	E09452	Blast Wheel	2
6	600-1005	Blades (set of 6)	2
7	600-1015	Impeller	2



Fig. 03

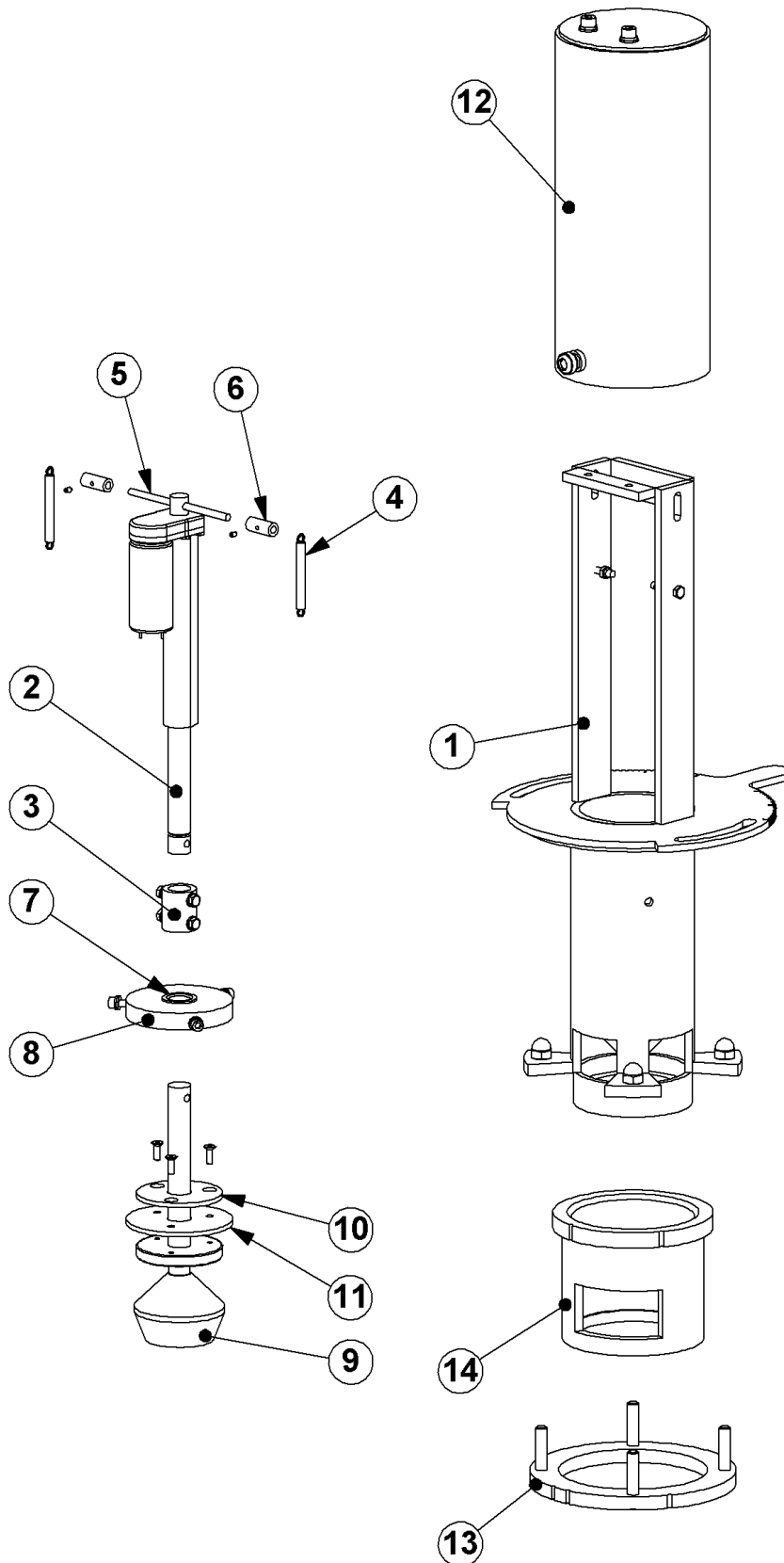


Fig. 03

Item	Part number	Description	Qty.
1	E09262	Abrasive valve housing	2
2	E04481	Lineair actuator	2
3	E09264	Connection bush	2
4	B20091	Tension spring 8x1x50	4
5	E09265	Actuator pin	2
6	E09266	Distance bush	4
7	E04503	Bearing	2
8	E09267	Bearing ring	2
9	E09268	Conical valve	2
10	E09269	Seal washer	2
11	E09270	Seal washer	2
12	E09271	Actuator cover	2
13	E09272	Cage clamp ring	2
14	E10220	Control cage	2



Fig. 04

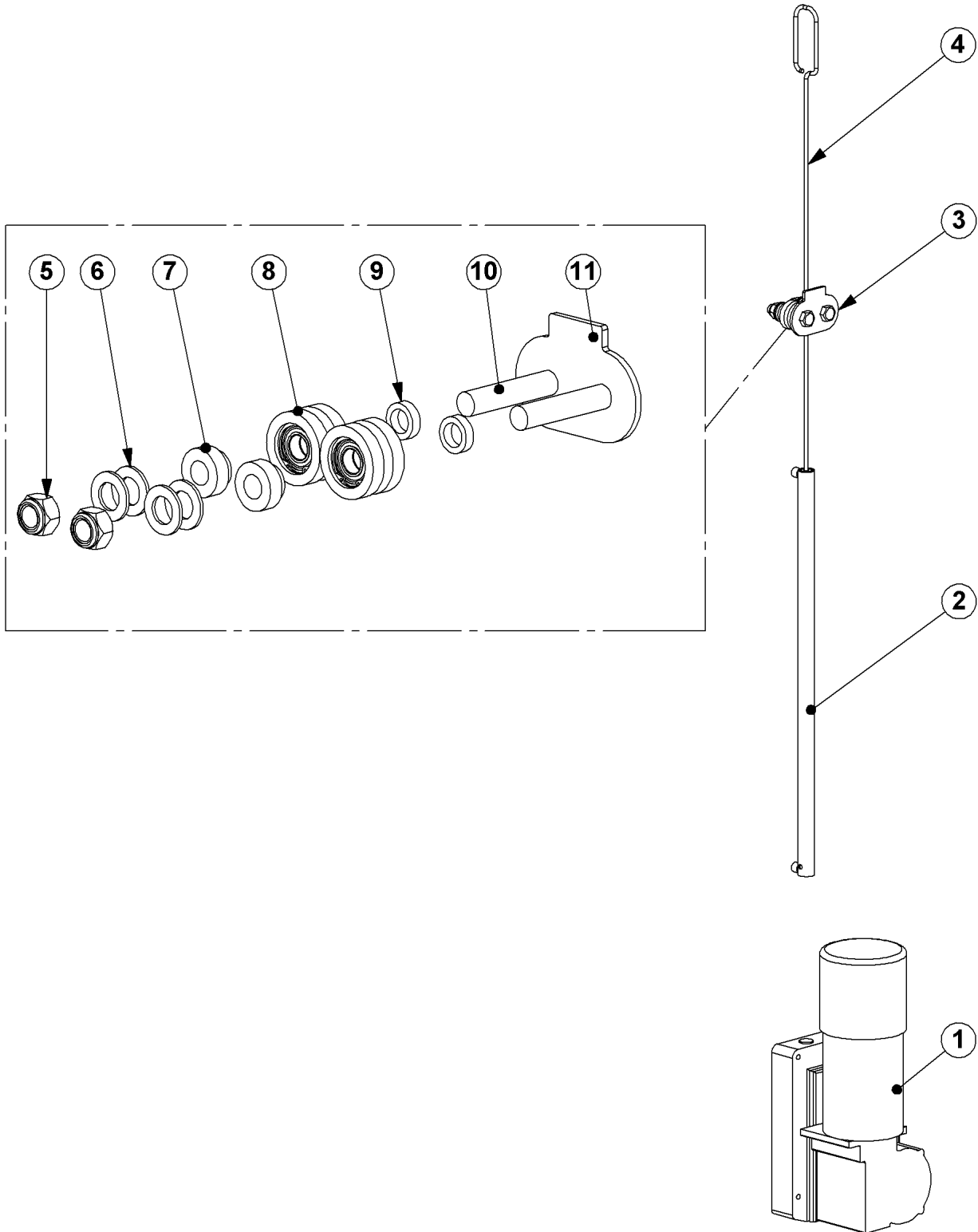


Fig. 04

Item	Part number	Description	Qty.
1	E09593	Endless winch	2
2	E09536	Cable pipe	2
3	E10074	Cable guide system complete	2
4	E10050/25	25m steel cable for EBE-900VMB	2
	E10050/20	20m steel cable for EBE-900VMB	2
	E10050/..	..m steel cable for EBE-900VMB	2
5	BE0276	M20 lock nut	4
6	BE0096	M20 washer	8
7	E09548	Distance bush guide roll	4
8	E10074	Cable guide roll complete	4
9	E09547	Distance ring guide roll	4
10	BE0425	M20 x 100 bolt	4
11	E09546	Safety plate	2

**Steel cable can be ordered in every desired length.
For example 27meter, order E10050/27**

Fig. 05

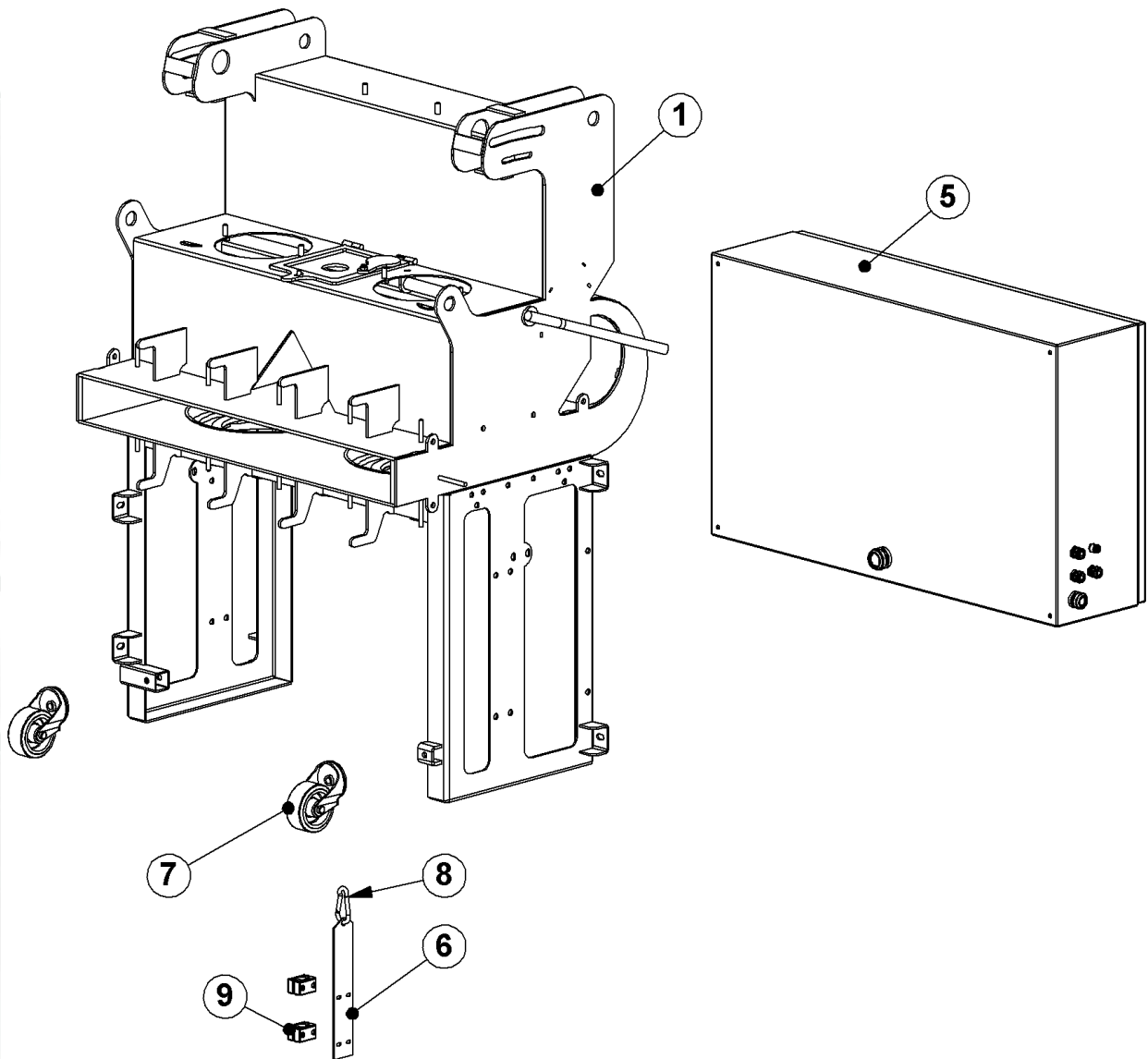
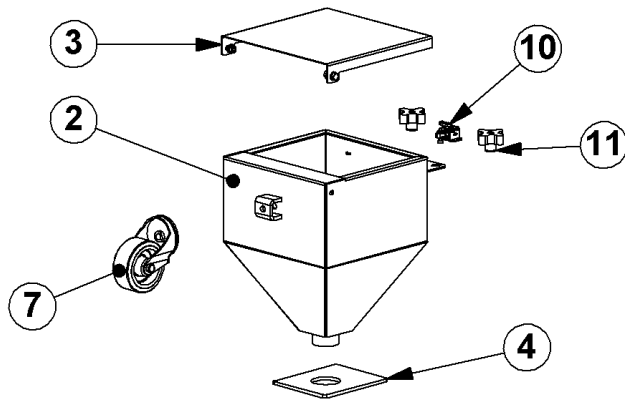


Fig. 05

Item	Part number	Description	Qty.
1	E09257	Blast housing	1
2	E09549	Spare shot hopper	1
3	E09554	Spare hopper cover	1
4	E09527	Cover seal	1
5	E09296-RC	Electro box VMB	1
6	E09618	Cable pull relief plate	1
7	971518-1	Swivel castor	3
8	BE0566	SNAP HOOK	1
9	999-9155	Cable Clamp Ø25	2
10	001084	Clamp	1
11		Knob M10	2





Contact

Blastrac NA
13201 North Santa Fe Avenue
Oklahoma City, OK 73114
Tel: 800-256-3440
Fax: 405-478-8608
www.blastrac.com