

5280 SELF-PROPELLED SCRAPER

SERVICE MANUAL



Read Manual Before Servicing Machine

Table of Contents

Table of Contents	3
Specifications	4
Troubleshooting Guide	8
Maintenance	9
Wheel Removal	9
Adding/Changing Hydraulic Fluid	9
Inspection of Internal Parts	9
Tank Removal	9
Control Valve Replacement	10
Speed Control Replacement.....	10
Pressure Valve Replacement	10
Forward Switch Replacement.....	10
Power Cord.....	10
Parts List and Diagrams	11
External.....	11
Pump	12
Handle	13
Back of Machine	14
Hydraulic Tank	15
Cutting Head.....	15
Wiring.....	16
Hydraulics	17
Warranty	18

Specifications



Product Specifications									
Width	Length	Height	Weight	Speed	RPM	Amps	Vibration		
							X Axis	Y Axis	Z Axis
17" (43.2 cm)	27" (68.6 cm)	39" (99.1 cm)	263 lbs (119.3 kg)	3.1-12.7 m/min	1,725	Under 6.7 (full load)	7.8 m/s ²	12.1 m/s ²	14.5 m/s ²

Machine Variants			
Region	Serial Number	Input Power	Body Panels
Domestic	5280-10XXXX	120V / 60 Hz	Silver Vein
	5280-23XXXX	120V / 60 Hz	Silver Vein
International	5280-11XXXX	230V / 50 Hz	Silver Vein
	5280-13XXXX	230V / 50 Hz	Silver Vein
	5280-20XXXX	110V / 50 Hz	Silver Vein
	5280-26XXXX	230V / 50 Hz	Silver Vein

GENERAL RULES FOR SAFE OPERATION

Before use, anyone operating or performing maintenance on this equipment must read and understand this manual, as well as any labels packaged with or attached to the machine and its components. Read the manual carefully to learn equipment applications and limitations, as well as potential hazards associated with this type of equipment. Keep manual near machine at all times. If your manual is lost or damaged, contact National Flooring Equipment (NFE) for a replacement.

Personal

Dress properly and use safety gear.

Do not wear loose clothing; it may be caught in moving parts. Anyone in the work area must wear safety goggles or glasses, hearing protection during extended use, and a dust mask for dusty operations. Hard hats, face shields, safety shoes, etc. should be worn when specified or necessary.

Maintain control; stay alert.

Keep proper footing and balance, and maintain a firm grip. Observe surroundings at all times and use common sense. Do not use when tired, distracted, or under the influence of drugs, alcohol, or any medication that may cause decreased control.

Keep hands away from all moving parts and tooling.

Wear gloves when changing tooling. Remove tooling when machine is not in use and/or lower cutting head to the floor.

Do not force equipment.

Equipment will perform best at the rate for which it was designed. Excessive force only causes operator fatigue, increased wear, and reduced control.

Environment

Avoid use in dangerous environments.

Do not use in rain, damp or wet locations, or in the presence of explosive atmospheres (gaseous fumes, dust, or flammable materials). Remove materials or debris that may be ignited by sparks. Keep work area tidy and well-lit - a cluttered or dark work area may lead to accidents. Extreme heat or cold may affect performance.

Protect others in the work area and be aware of surroundings.

Provide barriers or shields as needed to protect others from debris and machine operation. Children and other bystanders should be kept at a safe distance from the work area to avoid distracting the operator and/or coming into contact with the machine. Operator should be aware of who is around them and their proximity. Support personnel should never stand next to, in front of, or behind the machine while the machine is running. Operator should look behind them before backing up.

Do not come within 3 ft. of the machine's perimeter during operation.

Guard against electric shock.

Ensure that machine is connected to a properly grounded outlet. Prevent bodily contact with grounded surfaces, e.g. pipes, radiators, ranges, and refrigerators. When scoring or making cuts, always check the work area for hidden wires or pipes.

Maintenance & Repairs

Begin maintenance work only when the machine is shut down, unplugged, and cooled down.

Use proper cleaning agents.

Ensure that all cleaning rags are fiber-free; do not use any aggressive cleaning products.

Schedule regular maintenance check-ups.

Ensure machine is properly cleaned and serviced. Remove all traces of oil, combustible fuel, or cleaning fluids from the machine and its connections and fittings. Retighten all loose fittings found during maintenance and repair work. Loose or damaged parts should be replaced immediately; use only NFE parts.

Do not weld or flame-cut on the machine during repairs, or make changes to machine without authorization from NFE.

Equipment

Use proper parts and accessories.

Only use NFE-approved or recommended parts and accessories. Using any that are not recommended may be hazardous.

Ensure accessories are properly installed and maintained.

Do not permanently remove a guard or other safety device when installing an accessory or attachment.

Inspect for damaged parts.

Check for misalignment, binding of moving parts, loose fasteners, improper mounting, broken parts, and any other conditions that may affect operation. If abnormal noise or vibration occurs, turn the machine off immediately. Do not use damaged equipment until repaired. Do not use if power switch does not turn machine on and off. For all repairs, insist on only identical NFE replacement parts.

Maintain equipment and labels.

Keep handles dry, clean, and free from oil and grease. Keep cutting edges sharp and clean. Follow instructions for lubricating and changing accessories. Motor and switches should be completely enclosed at all times with no exposed wiring. Inspect cord regularly. Labels carry important information; if unreadable or missing, contact NFE for a free replacement.

Avoid accidental starting; store idle equipment.

When not in use, ensure that the machine is unplugged; do not turn on before plugging in. Store in a dry, secured place. Remove tooling when storing, and keep away from children.



CAUTION! ENSURE PROPER USE OF EXTENSION CORDS. IF AMP DRAW IS HIGHER THAN SHOWN ON TABLE OR CORD IS LONGER THAN 50 FT, SEE AN ELECTRICIAN.

ASSUMPTIONS: 3% ALLOWABLE VOLTAGE DROP, COPPER CONDUCTORS RATED FOR 75°C, 1.25 SAFETY FACTOR, CORD VOLTAGE RATING OF 600VAC, PROPER CORD TYPES (STO, STOW, SOOW).

Amp Draw	Gauge
0-12	14
13-16	12
14-24	10
25-40	8

Safety

WALK-BEHIND SCRAPER SAFETY GUIDELINES

Before use, anyone operating this equipment must read and understand these safety instructions.

Scraping

Beware of hidden obtrusions.

Watch out for hidden dangers and protrusions in flooring. Do not use on largely uneven surfaces.

Observe location of electrical supplies and extension cords.


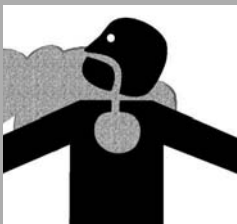
Do not allow cutting heads to come into contact with any electrical supply or extension cord.

Use correct tooling and accessories.

Provide barriers or shields as needed to protect others from debris. After mounting tooling, check for proper alignment.

Use for correct applications.

Do not force equipment to do heavier duty work than it was made for.

 	<p>WARNING: GRINDING/CUTTING/DRILLING OF MASONRY, CONCRETE, METAL AND OTHER MATERIALS CAN GENERATE DUST, MISTS AND FUMES CONTAINING CHEMICALS KNOWN TO CAUSE SERIOUS FATAL INJURY OR ILLNESS, SUCH AS RESPIRATORY DISEASE, CANCER, BIRTH DEFECTS OR OTHER REPRODUCTIVE HARM. IF YOU ARE UNFAMILIAR WITH THE RISKS ASSOCIATED WITH THE PARTICULAR MATERIAL BEING CUT, REVIEW THE MATERIAL SAFETY DATA SHEET AND/OR CONSULT YOU EMPLOYER, THE MATERIAL MANUFACTURER/SUPPLIER, GOVERNMENTAL AGENCIES SUCH AS OSHA AND NIOSH AND OTHER AUTHORITIES ON HAZARDOUS MATERIALS. CALIFORNIA AND SOME OTHER AUTHORITIES, FOR INSTANCE, HAVE PUBLISHED LISTS OF SUBSTANCES KNOWN TO CAUSE CANCER, REPRODUCTIVE TOXICITY, OR OTHER HARMFUL EFFECTS. CONTROL DUST, MIST AND FUMES AT THE SOURCE WHERE POSSIBLE. IN THIS REGARD USE GOOD WORK PRACTICES AND FOLLOW THE RECOMMENDATIONS OF THE MANUFACTURER/SUPPLIER, OSHA/NIOSH, AND OCCUPATIONAL AND TRADE ASSOCIATIONS. WHEN THE HAZARDS FROM INHALATION OF DUST, MISTS AND FUMES CANNOT BE ELIMINATED, THE OPERATOR AND ANY BYSTANDERS SHOULD ALWAYS WEAR A RESPIRATOR APPROVED BY OSHA/MSHA FOR THE MATERIAL BEING CUT.</p>
--	---

HYDRAULIC SAFETY

Maintaining a Safe Work Environment

Establishing a safe work environment in and around your hydraulic equipment is extremely important. The easiest and most effective way to avoid problems is to make sure associates understand their equipment, know how to operate the machines safely, and recognize the dangers if handled carelessly. A few things to be aware of are:

- **Pressure:** Hydraulic fluid under pressure is dangerous and can cause serious injury. Never look for a leak when unit is under pressure. Using your hand could cause serious injury. A few common ways to encounter hydraulic fluid under pressure include:
 - **Pinhole:** Fluid under pressure can cause serious injury. It can be almost invisible escaping from a pinhole, and it can pierce the skin into the body.



DANGER: DO NOT TOUCH A PRESSURIZED HYDRAULIC HOSE ASSEMBLY WITH ANY PART OF THE BODY. IF FLUID PUNCTURES THE SKIN, EVEN IF NO PAIN IS FELT, A SERIOUS EMERGENCY EXISTS. OBTAIN MEDICAL ASSISTANCE IMMEDIATELY. FAILURE TO DO SO COULD RESULT IN LOSS OF THE INJURED BODY PART OR DEATH.

- **Leak:** Keep fittings and hoses tight. Only check and service when not under pressure. Leaking hydraulic fluid is hazardous; in addition to making workplace floors slippery and dangerous, it also contaminates the environment. Before cleaning an oil spill, always check EPA, state, and local regulations.
- **Burst:** Whether due to improper selection or damage, a ruptured hose can cause injury. If it bursts, a worker can be burned, cut, injected, or may slip and fall.
- **Coupling Blow-Off:** If the assembly is not properly made or installed, the coupling could come off and hit or spray a worker, possibly resulting in serious injury. Never operate machine without guards.
- **Flammability:** When ignited, some hydraulic fluids can cause fires and/or explode. With the exception of those comprised primarily of water, all hydraulic fluid is flammable (including many “fire-resistant” hydraulic fluids) when exposed to the proper conditions. Leaking pressurized hydraulic fluids may develop a mist or fine spray that can flash or explode upon contact with a source of ignition. These explosions can be very severe and could result in serious injury or death. Precautions should be taken to eliminate all ignition sources from contact with escaping fluids, sprays or mists resulting from hydraulic failures. Sources of ignition could be electrical discharges (sparks), open flames, extremely high temperatures, sparks caused by metal-to-metal contact, etc.



CAUTION: NEVER USE YOUR HANDS TO CHECK FOR LEAKS OVER HOSE OR HYDRAULIC CONNECTIONS. USE A PIECE OF CARDBOARD TO LOCATE A PRESSURIZED LEAK. FOR LOW PRESSURE LEAKS (DRIPS), USE A RAG TO CLEAN THE AREA AND DETERMINE WHERE THE LEAK ORIGINATES.

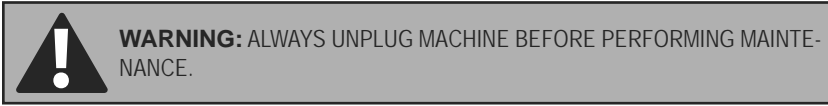
- **Mechanical:** Hydraulic fluid creates movement, which means some equipment may move. Observe surroundings and equipment at all times.
- **Moisture:** Do not use in wet or high moisture conditions.
- **Electrical:** Faulty wiring can be an electrical hazard. A regular preventive maintenance program should always include a wiring check. If applicable, disconnect battery before servicing.
- **Temperature:** Because this machine operates at a relatively low pressure, overheating is not common. If surface of tank becomes too hot to touch by hand (above 130°F or 55°C), shut off machine and allow it to cool.

Hydraulic Fluid

Only use Texaco Rando 46 Hydraulic Oil or Compatible Fluid like ISO32. Non-compatible fluids could cause damage to unit or serious injury.

Troubleshooting Guide

Problem	Cause	Solution
No forward movement.	Damaged belt.	Remove front cover plate and inspect belt.
	Damaged speed control valve.	Inspect speed control valve. Turn counter-clockwise to open valve.
Motor shuts off or won't start.		Inspect capacitor or start switch.



WHEEL REMOVAL

1. Examine back of wheels to see if debris is built up. Use a flashlight if needed.
2. Unplug machine; lay it on its side.
4. Use 5 mm Hex wrench to remove wheel securing screw (Figure 8).
6. Remove wheel securing cap; wheel will slide off. Watch for keyway key.
8. Remove wheel spacer. This should be inspected at regular intervals.

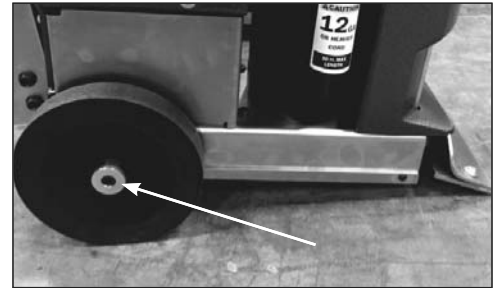


FIG. 8

ADDING/CHANGING HYDRAULIC FLUID

- Change or add fluid when needed and/or at least once a year under normal conditions. Check fluid level if there has been a leak, damaged or ruptured hose or a loose fitting. Fluid should be level with bottom of tank plug hole (Figure 9).
- **To add fluid**, unscrew filler port cap from top of machine (Figure 10).
- **To change fluid**, remove filler port cap. Remove drain plug from side of machine (Figure 11). An 8 liter container will be needed to drain fluid into (fluid will not be removed from hoses).
- Machine has a straining system, but add fluid through a filter or funnel with a screen to keep fluid clean.

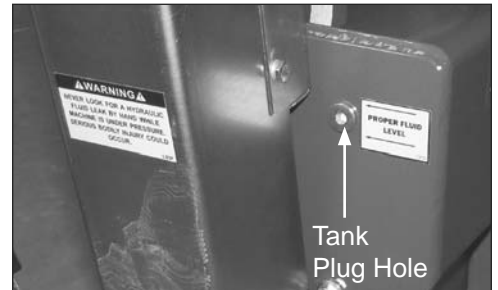


FIG. 9

INSPECTION OF INTERNAL PARTS

Visual inspection of internal parts can be done without draining tank.

1. Remove two lifting bail eyebolts and the two bolts from the back of the tank.
2. Carefully lift tank 3-4".
3. Using a flashlight, inspect the drive chain, hoses, front seal on motor, and suction and pressure line on pump.
4. If service is necessary, follow procedure for tank removal.



FIG. 10

TANK REMOVAL

Removing the tank is necessary to repair the pump or replace or service internal hoses.

1. Follow procedure to change fluid in order to drain the tank.
2. Replace drain plug and filler port cap.
3. Remove two lifting bail eyebolts and the two bolts from the back of the tank.
4. Disconnect return line on back of tank, carefully lift tank 3-4" (7.6-10 cm) and disconnect suction line. Tank can now be removed.

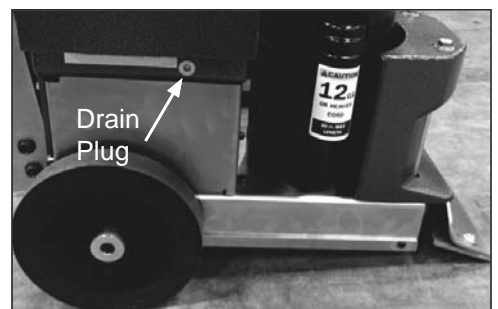


FIG. 11

Maintenance

CONTROL VALVE REPLACEMENT

1. Follow procedure to change fluid in order to drain the tank.
2. Re-place drain plug and filler port cap.
3. Disconnect valve plunger from control linkage.
4. Mark the placement of the four hoses so they can be returned to their original positions.
5. Disconnect and remove the four hoses from valve body.
6. Remove valve mounting bolts and nuts, remove valve.

Reverse these steps for installation.

SPEED CONTROL REPLACEMENT

1. Use 3/32" Allen wrench to remove metal knob.
2. Use a 1" socket to remove and replace speed control valve.
3. Re-install metal knob.

PRESSURE VALVE REPLACEMENT

This has been factory set and should not be tampered with. Use a 1" socket to remove old unit and install new.

FORWARD SWITCH REPLACEMENT

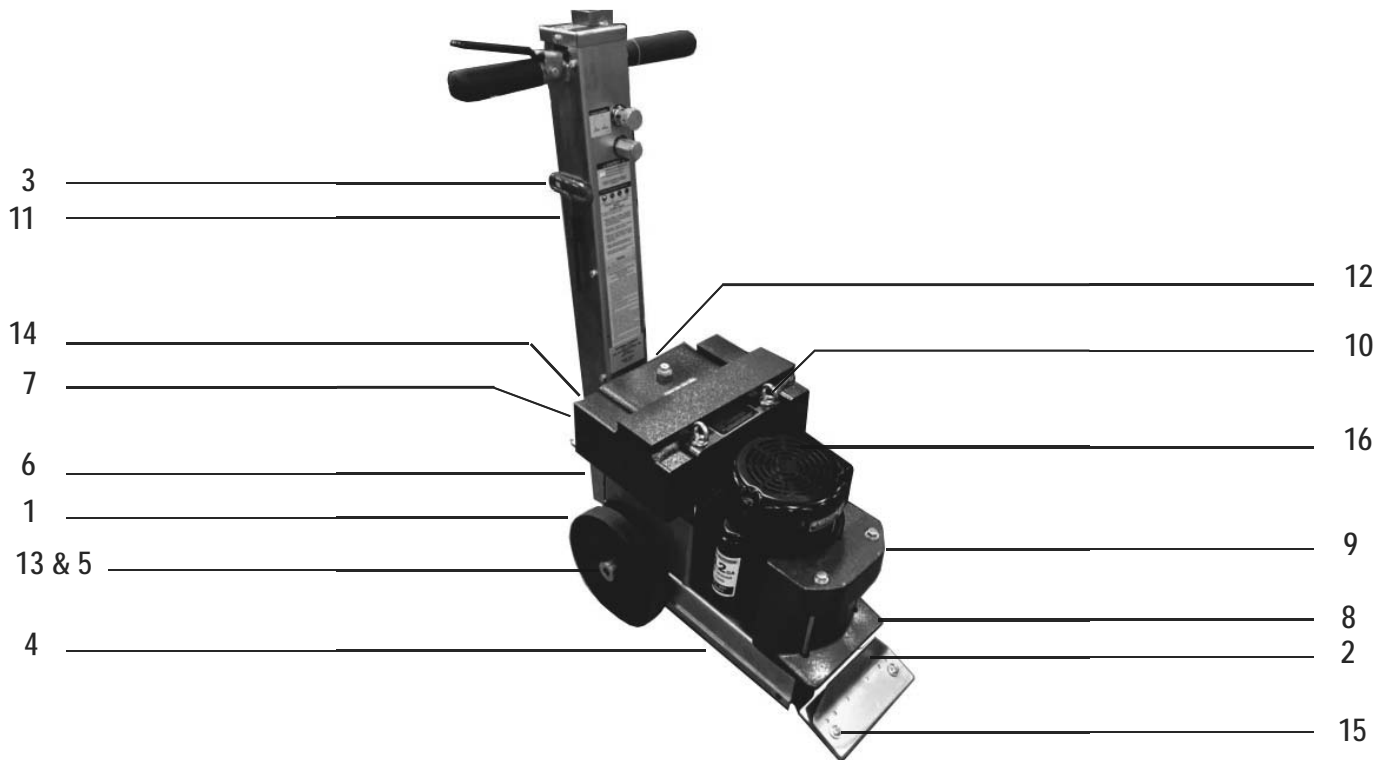
1. Disconnect machine from power source.
2. Remove two 1/4-20x1/2 hexhead bolts from handle. Use 7/16" wrench or socket.
3. Remove 1/4-20 bolt from lever.
4. Remove switch.
5. Remove two spade connectors from switch.
6. Replace switch.

POWER CORD

If power cord is damaged, it must be replaced by NFE or a qualified service center.

Parts List and Diagrams

EXTERNAL



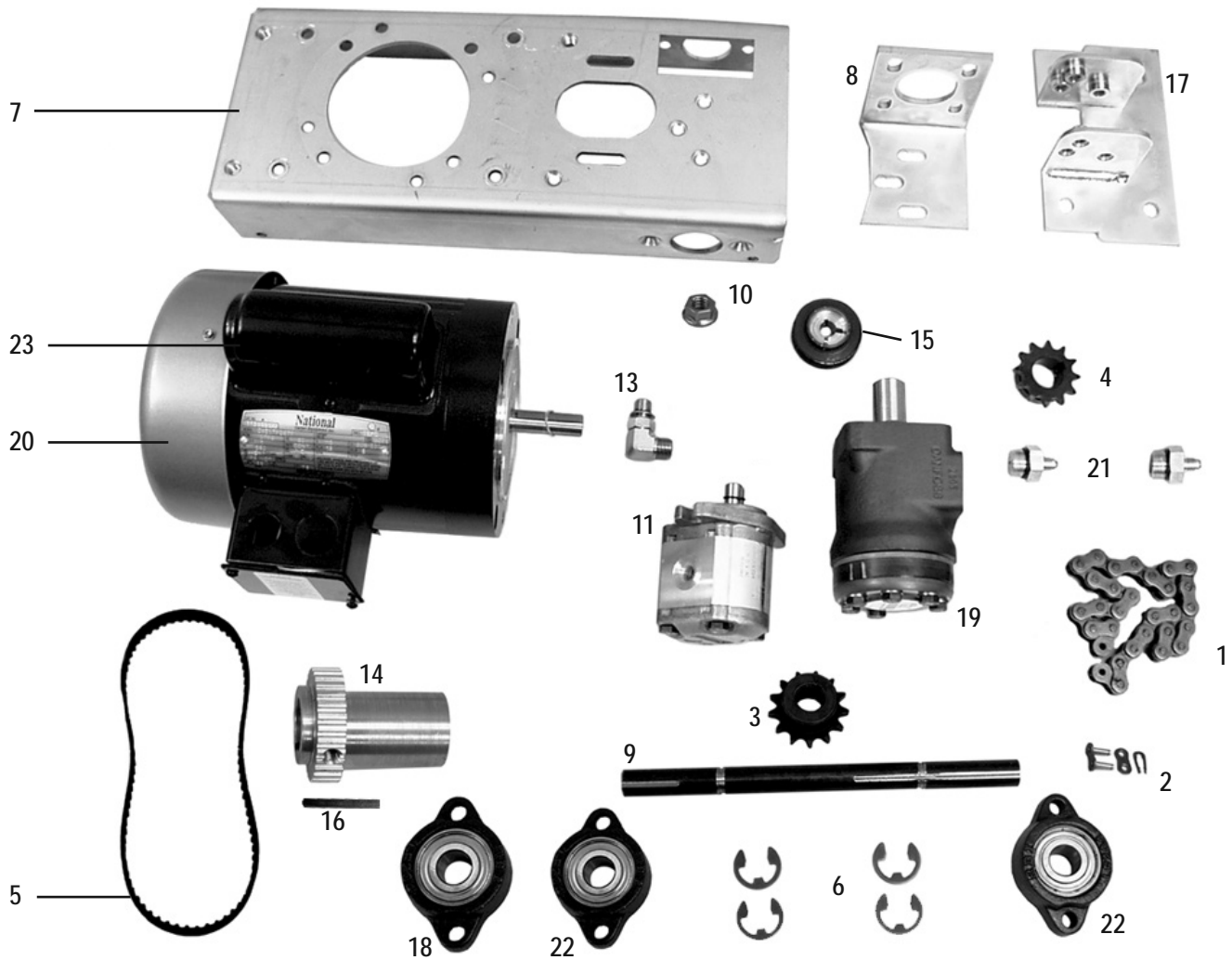
PART#	DESCRIPTION	QTY	PART#	DESCRIPTION	QTY
1	400330 WHEEL, DRIVE, LIGHT DUTY, COMPLETE	2	10	73228 EYE BOLT, 3/8-16 X 8	2
2	5280-136 COVER, BLADE	1	11	6280-404 HOLDER, BLADE WRENCH	1
3	5280-137W WRENCH, BLADE	1	12	6280-161B PLUG, VENT, FILLER CAP	1
4	5280-138 PLATE, BOTTOM	1	13	6280-112 CAP, WHEEL	1
5	73902 KEY, 3/16X3/16X1-3/4	1	14	5280-402-SV WEIGHT, SADDLE, SILVER VEIN	1
6	5280-153 BODY, MAIN UPPER	1	15	74649 SCREW, BUTTON HEAD CAP WITH FLANGE	2
7	5280-162-SV TANK, HYDRAULIC, SILVER VEIN	1		M10-25	2
8	5280-210 SHIELD, FRONT	1	16	72353 MOTOR, 1 HP, 116265	1
9	401565 COUNTERWEIGHT, FRONT, CAST, 5280	1			

ADDITIONAL PARTS NOT SHOWN

PART#	DESCRIPTION	QTY	PART#	DESCRIPTION	QTY
1	74631 BOLT, HEX FLANGE BOLT M6-16	3	10	73205 BOLT, HEX HEAD CAP 3/8-16X3/4	4
2	5280-9 SPACER, WHEEL	2	11	73209 BOLT, HEX HEAD CAP 3/8-16X8-1/2	2
3	73315 BOLT, FLAT HEAD SOCKET 5/16-18X1	2	12	73213 SCREW, BUTTON HEAD SOCKET CAP 3/8-16X3/4	4
4	74623 SCREW, BUTTON HEAD CAP M6-10	4	13	73263 WASHER, FLAT SAE ZINC 3/8	2
5	72810 CAPS, SPLICE	2	14	401452 WASHER, FLAT, 1/2", SAE	2
6	72811 CAPS, INSULATOR, SPLICE	2	15	73401 NUT, STRAIN RELIEF, STEEL, 1/2"	2
7	72821 TERMINAL, RING, 16-14 GAUGE, NYLON, 10	10	16	73905 KEY, 3/16X3/16X1-1/8	2
	STUD	1	17	73906 KEY, ALLEN SHORT ARM 3/16	1
8	73039 SCREW, CUP POINT SOCKET SET 1/4-20X3/16	3	18	74730 GROMMET, RUBBER 5/8"	1
9	73204 WASHER, LOCK, 3/8	6			

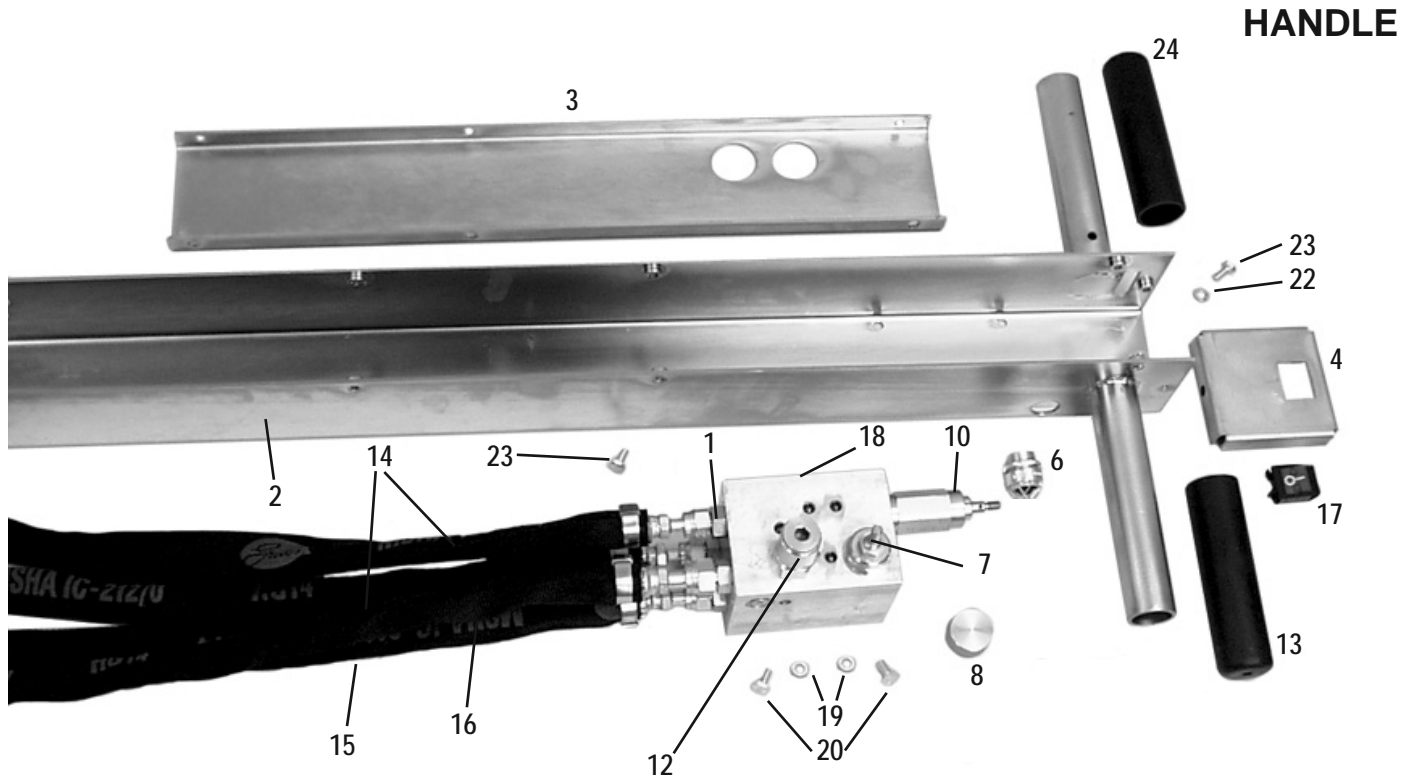
Parts List and Diagrams

PUMP



PART#	DESCRIPTION	QTY	PART#	DESCRIPTION	QTY		
1	5280-1	CHAIN, DRIVE, 40 STRAND	1	13	5280-118	FITTING, 90 DEGREE	1
2	5280-1L	LINK, MASTER	1	14	5280-129	ECCENTRIC	1
3	5280-2	SPROCKET, 40BS13 3/4	1	15	5280-132C	PULLEY, PUMP	1
4	5280-3	SPROCKET, MOTOR, 40BS12X1	1	16	73903	KEY, 3/16X3/16X2-1/4	1
5	5280-4	BELT, PUMP DRIVE	1	17	5280-139	BRACKET, HANDLE ADJUSTMENT	1
6	74104	RETAINER CLIP, GRINDING DISC MOUNTING POST	4	18	400324	BEARING, TURNED, 1-1/4 ID, SBLF 206-20 (NOT SHOWN)	1
7	5280-37	PLATE, BASE	1	19	5280-220	MOTOR, HYDRAULIC	1
8	5280-102	BRACKET, HYDRAULIC MOTOR	1	20	72353	1 HP MOTOR	1
9	5280-103	AXLE, DRIVE	1	21	6280-221	CONNECTOR, HYDRAULIC MOTOR	2
10	74654	NUT, FLANGE LOCK M10	4	22	71092	BEARING, 3/4 ID	2
11	5280-113	PUMP, HYDRAULIC	1	23	62182	COVER, CAPACITOR, LEESON	1
12	6280-113A	KEY, HYDRAULIC PUMP (NOT SHOWN)	1				

Parts List and Diagrams

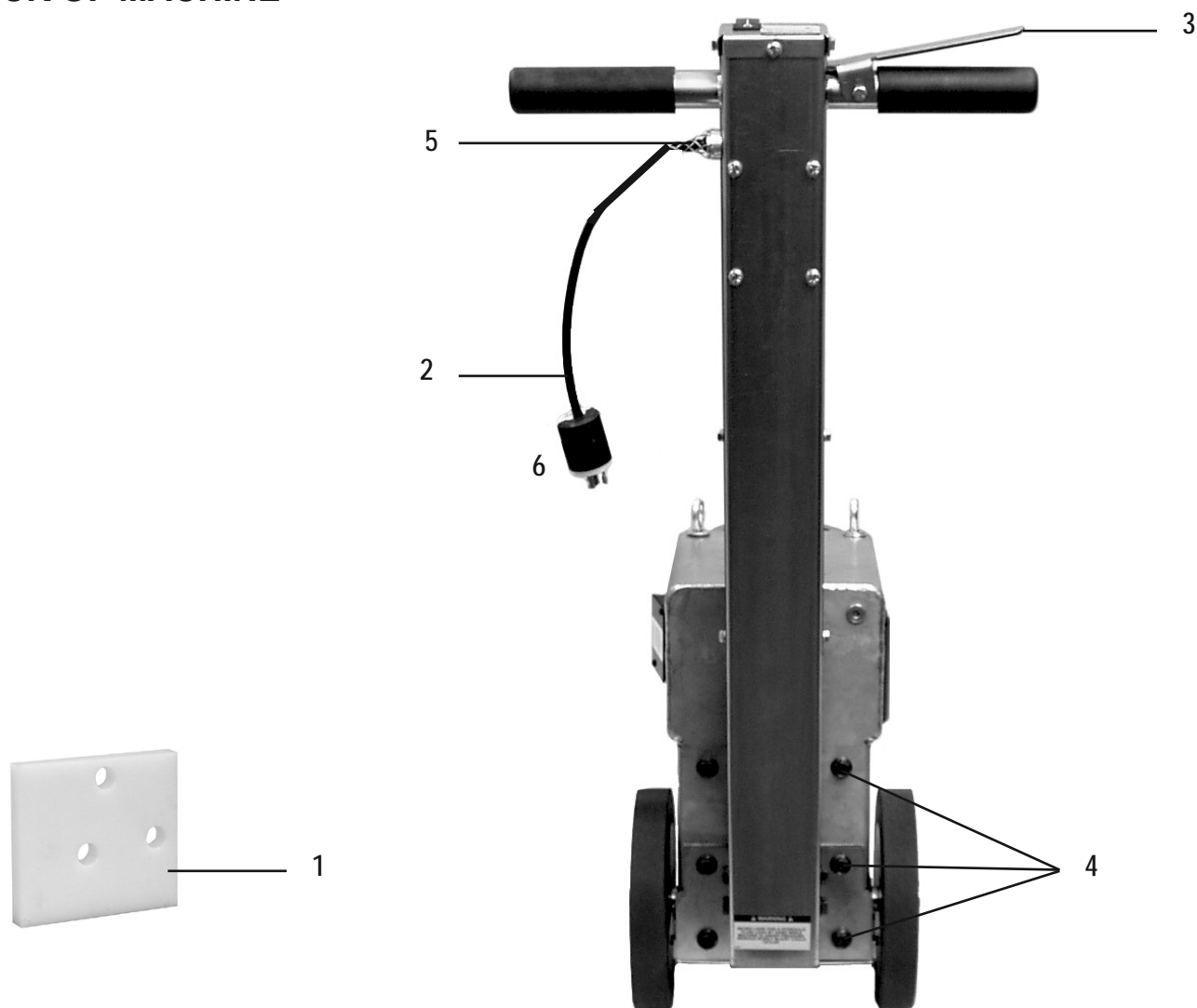


PART#	DESCRIPTION	QTY	PART#	DESCRIPTION	QTY
1	6280-117 FITTING, PUMP	1	16	5700-76 HOSE, HYDRAULIC, 3/8 X 26, F/F	1
2	5280-167 HANDLE BODY	1	17	6280-207 SWITCH, ON-OFF	1
3	5280-167B COVER, HANDLE BODY	1	18	6280-215 VALVE BLOCK ASSEMBLY	1
4	5280-167C PLATE, HANDLE SWITCH	1	19	73002 WASHER, SPLIT LOCK 1/4	4
5	73401 NUT, STRAIN RELIEF, STEEL, 1/2" (NOT SHOWN)	1	20	73005 SCREW, HEX HEAD CAP 1/4-20X1/2	4
6	72804 STRAIN RELIEF, STRAIGHT, 1/2"	1	21	73032 NUT, LARGE FLANGE LOCK 1/4-20 (NOT SHOWN)	1
7	6280-208 CONTROL, SPEED	1	22	74619 WASHER, LOCK, M6	11
8	6280-208A KNOB, SPEED CONTROL	1	23	74630 BOLT, HEX HEAD CAP M6-12 8.8	11
9	70651 PLUG, VALVE BODY (NOT SHOWN)	1	24	400306 GRIP, HAND, CUT	1
10	5280-216 CARTRIDGE, VALVE	1	25	400340 SCREW, 6-32 X 3/16 SSS CP (NOT SHOWN)	1
11	73023 BOLT, HEX HEAD CAP 1/4-20X2 (NOT SHOWN)	1	26	6280-162E PLUG, DRAIN, OIL LEVER (NOT SHOWN)	1
12	6280-209 VALVE, PRESS CARTRIDGE	1	27	72812 DISCONNECT, 12-10 GAUGE, FEMALE, NYLON (NOT SHOWN)	2
13	6280-170A GRIP, HANDLE BAR	1	28	72817 CONNECTOR, CLOSED END (NOT SHOWN)	1
14	6280-180 HOSE, HYDRAULIC, 1/4 X 24.25, F/F	2	29	73008 NUT, NYLOCK 1/4-20 (NOT SHOWN)	1
15	6280-181 HOSE, HYDRAULIC, 1/4 X 32, F/90F	1			

NOTE: SEE PAGE 16 FOR INTERNATIONAL VARIANT

Parts List and Diagrams

BACK OF MACHINE

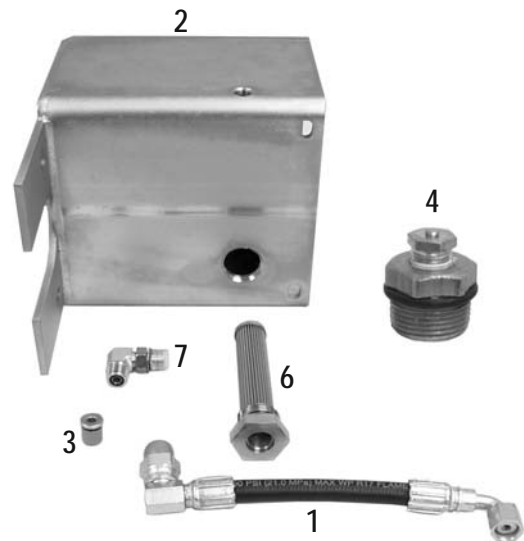


PART#	DESCRIPTION	QTY	PART#	DESCRIPTION	QTY
1	5280-139C ISOLATOR, HANDLE VIBRATION	2	5	73502 STRAIN RELIEF, STRAIGHT 1/2 INCH, .3376-.5686	2
2	6280-168 CORD, POWER, NEW STYLE (DOMESTIC ONLY)	1	6	401438 PLUG, MALE, EU1-16P, 250V, 16A, EUROPE (INTERNATIONAL ONLY, EXCLUDING 5280-20XXXX)	1
	72612 ASSEMBLY, 120V HANDLE CORD (DOMESTIC ONLY)	1		401486 PLUG, MALE, IEC 60309, 110-130V, 32A, 3W, YELLOW (5280-20XXXX ONLY)	1
	72612-W CORD, HANDLE, 200V (INTERNATIONAL ONLY)	1			
3	5280-172A LEVER, HANDLE	1			
4	74650 BOLT, HEX FLANGE M10-25	?			

Parts List and Diagrams

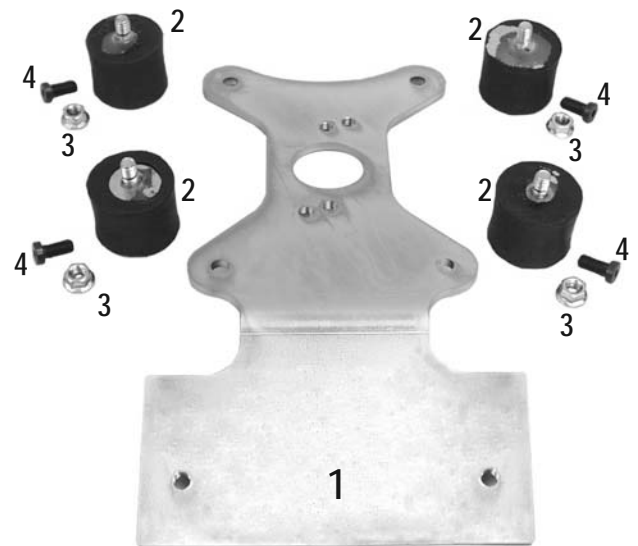
PART#	DESCRIPTION	QTY
1	5280-120 HOSE, HYDRAULIC, 3/8 X 9.25, 90F/90F	1
2	5280-162-SV HYDRAULIC TANK BODY, SILVER VEIN	1
3	6280-214 PLUG, TANK	2
4	6280-161D HYDRAULIC TANK FILLER CAP	1
5	6280-162G MAGNET, TANK (NOT SHOWN)	1
6	70601 STRAINER, TANK MOUNTED	1
7	72816 FITTING, ELBOW, 90 DEGREE, 3/8"	1
8	400177 OIL (BULK) (NOT SHOWN)	1

HYDRAULIC TANK



PART#	DESCRIPTION	QTY
1	5280-8 CUTTING HEAD	1
2	70810 ISOLATOR, VIBRATION	4
3	73211 NUT, FLANGE, SERRATED, 3/8-16	4
4	73217 SCREW, SOCKET HEAD CAP, LOW, 3/8-16 X 3/4	4

CUTTING HEAD



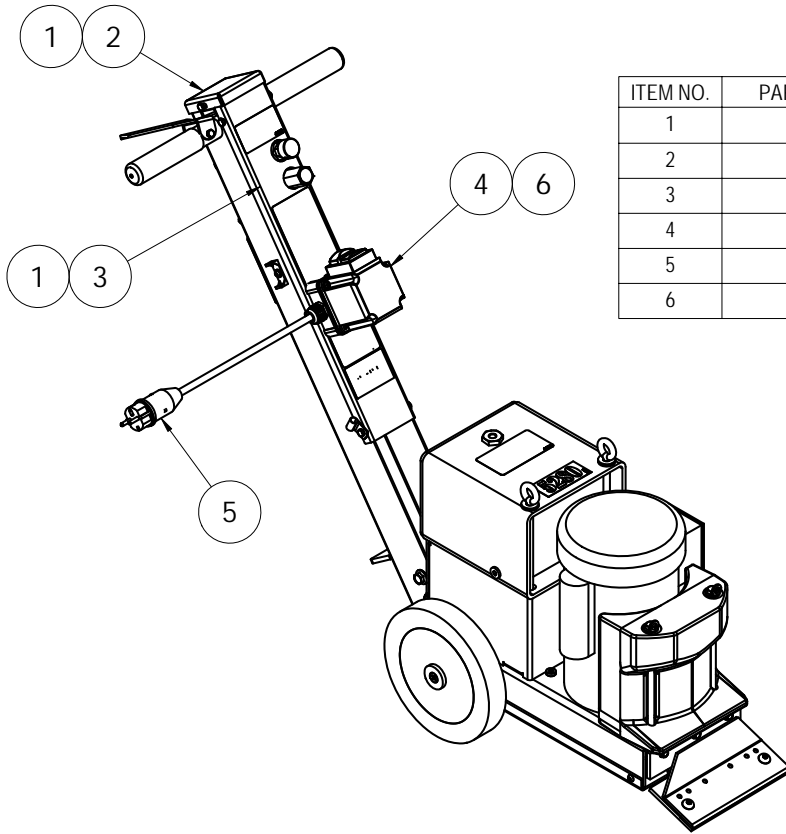
PART#	DESCRIPTION	QTY
1	402008 LABEL, 5280	1
2	402463 LABEL, NATIONAL LOGO, 4.5 X 4.5	2
3	L186 LABEL ON/OFF SWITCH	1
4	L188 LABEL CAUTION GEN INFO	1
5	L189 LABEL ASBESTOS HD	1
6	L220 LABEL, BLADE SETTING	1
7	L223 LABEL, PATENT NUMBER	1

LABELS (NOT SHOWN)

PART#	DESCRIPTION	QTY
8	L37 LABEL, CAUTION SHRP BLDS	1
9	L49 LABEL, CORD CAUTION	1
10	L95C LABEL, FORWARD	1
11	L95E LABEL SPEED CONTROL	1
12	L95F LABEL, FLUID LEAK	1
13	L95G LABEL FLUID LEVEL	1
14	L95J LABEL, 120V (DOMESTIC ONLY)	1

Parts List and Diagrams

HANDLE (INTERNATIONAL ONLY)

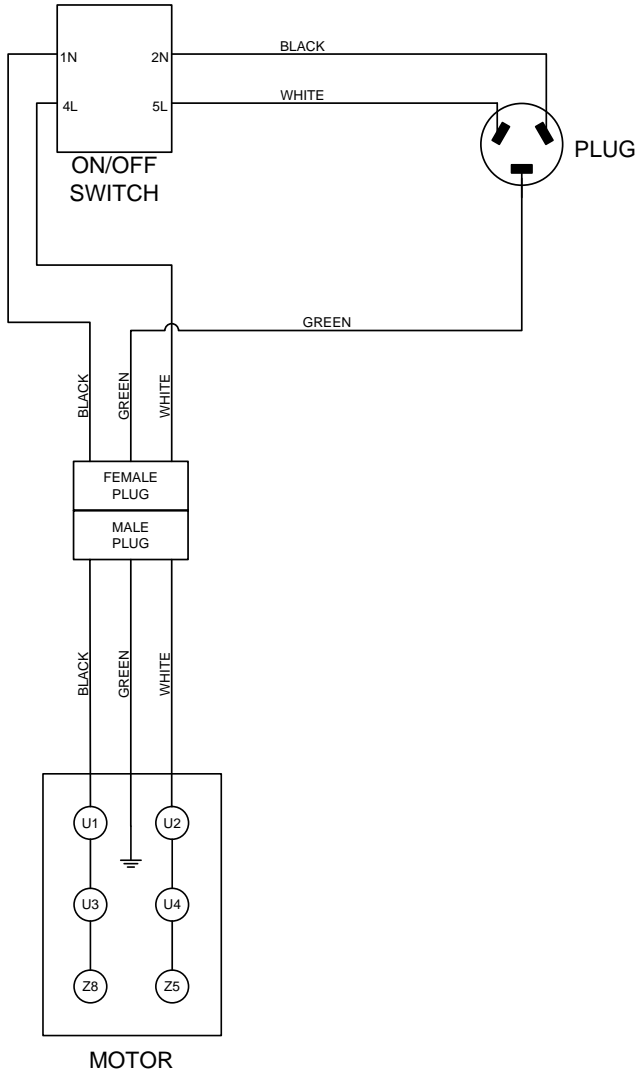


ITEM NO.	PART NUMBER	DESCRIPTION	QTY.
1	74630	Bolt, Hex Head Cap M6-12 8.8	9
2	403806	Plate, Handle, Top	1
3	403795	Cover, Handle Body, CE	1
4	403817	Switch, Safety, 230V, 50Hz	1
5	401438	Plug, Male, EU1-16P, 250V, 16A, Europe	1
6	403797	Screw, Phillips Pan Head, M5-0.8 x 50mm	2

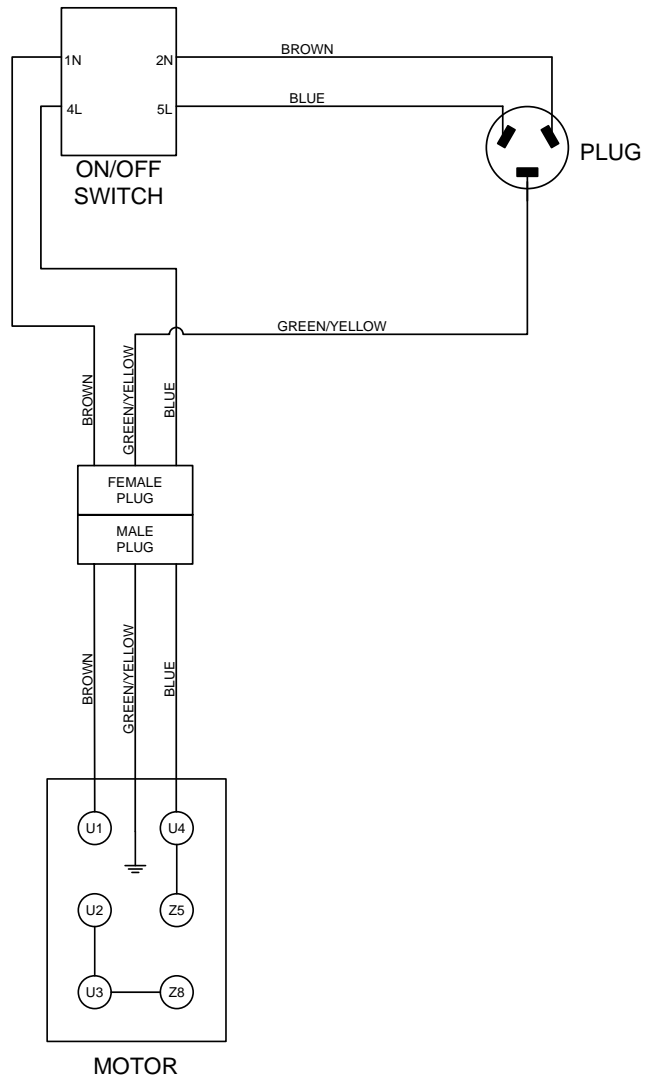
Parts List and Diagrams

WIRING

5280 MACHINE WIRING
110V

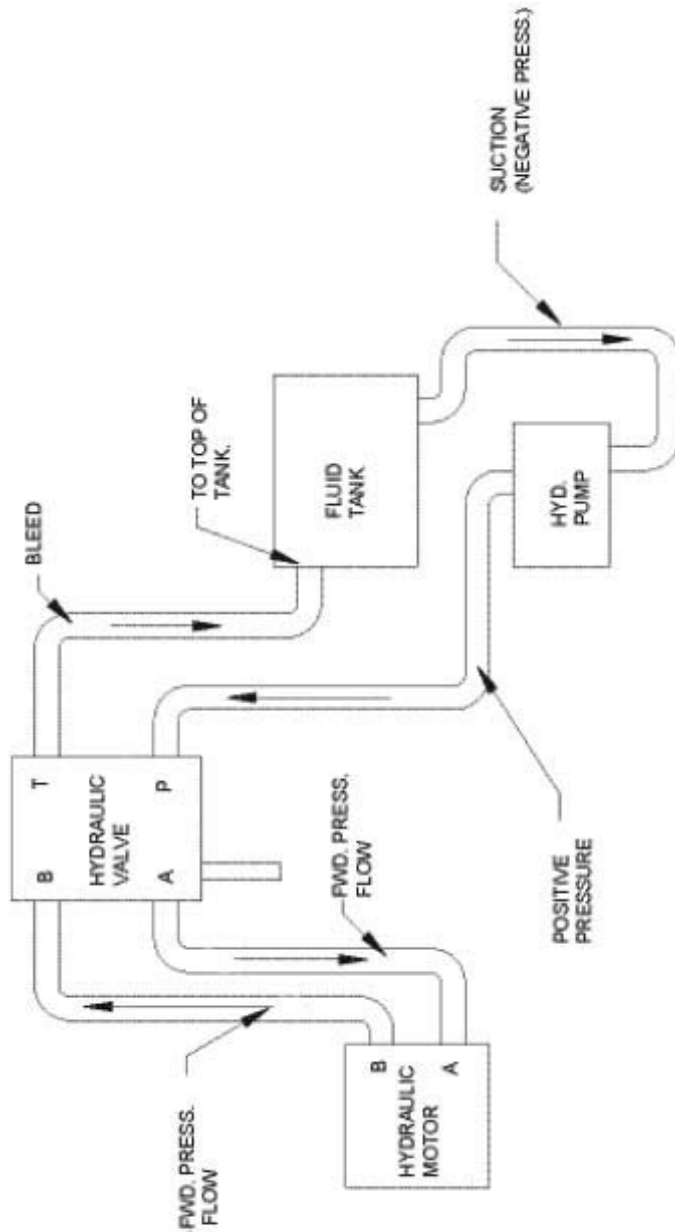


5280 MACHINE WIRING
220V



Parts List and Diagrams

HYDRAULICS



Warranty

National Flooring Equipment Inc. (referred to as "the Company") warrants that each new unit manufactured by The Company, to be free from defects in material and workmanship in normal use and service for a period of twelve (12) months from date of shipment from the Company. For administrative ease, will honor warranty for a period of fifteen (15) months from date of shipment from the company. Accessories or equipment furnished and installed on the product by the Company but manufactured by others, including but not limited to: engines, motors, electrical components, transmissions etc., shall carry the accessory manufacturers own warranty. Battery warranties are prorated over the warranty period. Customer is responsible for the inspection of equipment / parts upon delivery. Freight damages reported beyond authorized time frame will not be honored.

The Company, at its determination of defect, will repair or replace any product or part deemed to be defective in material or workmanship within specified warranty time period. All product determinations and / or repairs will take place at the designated Company repair facility, or at a certified warranty location designated by the Company. The Company will coordinate and be responsible for all freight expenses associated with valid warranty claims. Freight and shipping expenses associated with abuse or misuse will be back charged to the Distributor/Customer. The Company reserves the right to modify, alter or improve any part / parts without incurring any obligation to replace any part / parts previously sold without such modified, altered or improved part / parts. In no event shall the seller or manufacturer of the product be liable for special, incidental, or consequential damages, including loss of profits, whether or not caused by or resulting from the negligence of seller and / or the manufacturer of the product unless specifically provided herein. This warranty shall not apply to any products or portions there of which have been subjected to abuse, misuse, improper installation or operation, lack of recommended maintenance, electrical failure or abnormal conditions and to products which have been tampered with, altered, modified, repaired, reworked by anyone not approved or authorized by the Company or used in any manner inconsistent with the provisions of the above or any instructions or specifications provided with or for the product. Any and all unauthorized onsite warranty work conducted by unauthorized personnel or any outside person(s), is not covered by the Company unless the work has been pre-authorized by a predetermined manufacturer representative. This excludes wearable parts and/or consumables.

Defective or failed material or equipment shall be held at the purchaser's premises until authorization has been granted by the Company to return or dispose of defective products. Products returned for final inspection must be returned with a manufacturer authorized Return Material Authorization (RMA). Any unauthorized return of equipment will be declined at the dock by the Company. Any non-approved items returned with approved returned items are subject to rejection and will not be credited. Credit will be issued for material found to be defective upon the Company's inspection based on prices at time of purchase.

TO OBTAIN SERVICE CONTACT NATIONAL FLOORING EQUIPMENT, INC. TOLL FREE AT 800-245-0267 FOR A REPAIR AUTHORIZATION NUMBER. COD FREIGHT RETURNS WILL NOT BE ACCEPTED. FREIGHT COLLECT SHIPMENTS WILL NOT BE ACCEPTED. WARRANTY REPAIRS MUST BE ACCOMPANIED BY DATE OF PURCHASE RECEIPT AND A RETURN/REPAIR AUTHORIZATION NUMBER.

RETURN/REPAIR AUTHORIZATION NUMBER: _____

MACHINE SERIAL NUMBER: _____



Made in America Since 1968

9250 Xylon Avenue N • Minneapolis, MN 55445 • U.S.A.
Toll-free 800-245-0267 • Phone 763-315-5300 • Fax 800-648-7124 • Fax 763-535-8255
Web Site: www.nationalequipment.com • E-Mail: info@nationalequipment.com