

# NOVATEK

*NOVA-STRIP 1026*



**OPERATIONS &  
MAINTENANCE**

---

## SECTION II

### GENERAL DESCRIPTION

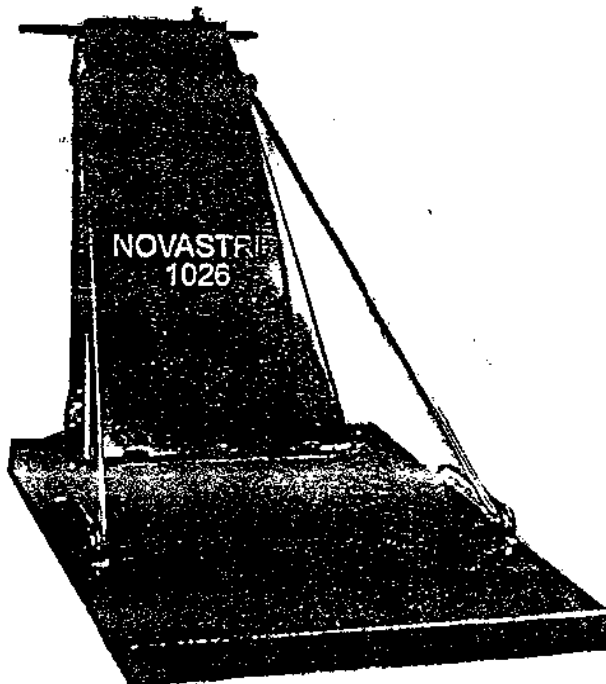
The NOVA STRIP ( 1026), a portable infrared heating unit designed and manufactured by NOVATEK Corp. softens tile adhesive for complete intact tile removal. This unit is capable of heating up to eight (8) 9" x 9" tiles or six (6) 12" x 12" tiles within a single pass.

The unit consists of a heat panel with individually wrapped heating elements, which are removable if damaged. This unit also includes a built in thermo-well for accurate temperature reading and control. It also features a dual display temperature control processor linked to a dual display timer allowing for optimum heat and timing control. The unit also utilizes a removable handle for ease of transportation and/or shipping.

The NOVA STRIP 1026 requires a 220/240V, single phase power source, which can be plugged into a standard three pole 50 amps capacity outlet.

### WARNING

**Do not use circuits exceeding specified voltage. Higher voltage will damage controls and could cause shock or fire hazards.**



## SECTION III

### ROUTINE MAINTENANCE

Inspect the unit for any loose or damaged parts every time prior to use.

**CAUTION:** Make sure power supply is off prior to inspection!

1. Wipe outside surfaces of unit to remove accumulated dust or dirt. Clean out dust and dirt from electronics by means of compressed air. NEVER USE SOLVENTS.
2. Periodic tests should be made to ensure timer and temperature controller are working properly.
3. Clean face of heat panel daily by wiping surface with damp towel. This will help remove accumulated wax, dust or dirt built up on face of panel. **CAUTION:** Make sure power supply is off prior to cleaning.
4. Inspect power connection to heat panel and connection to thermocouple. Make sure connectors are secure to the power lines and that there is no bare wires showing. If connectors are loose or bare wires are showing electrical shock may occur.

### CONTROL DESCRIPTIONS

#### 1. Key Switch

This on/off switch has been included into this system to provide power to the controls and heater panel, when set to the ON position. When the switch is in the OFF position the key maybe removed for safety against any unauthorized use.

#### 2. Emergency STOP Button

This has been included to cut power to the controls and heater panel immediately in case of emergency. To re-activate the unit the button needs to be restored to the ON, pulled out position.

#### 3. Semiconductor Fuse

The semiconductor fuse is used to protect the solid state relay and the other controls against any power surges within the line. If there is no power to the timer/heater panel or if you lose power suddenly the semiconductor fuse may be blown. To replace the fuse or check condition of fuse you must open the control panel. The casing on the fuse will be discolored if blown. If fuse is blown, remove with pliers/wrench, and replace with new part. **CAUTION:** Make sure unit is unplugged from power source prior to fuse verification.

#### 4. Timer

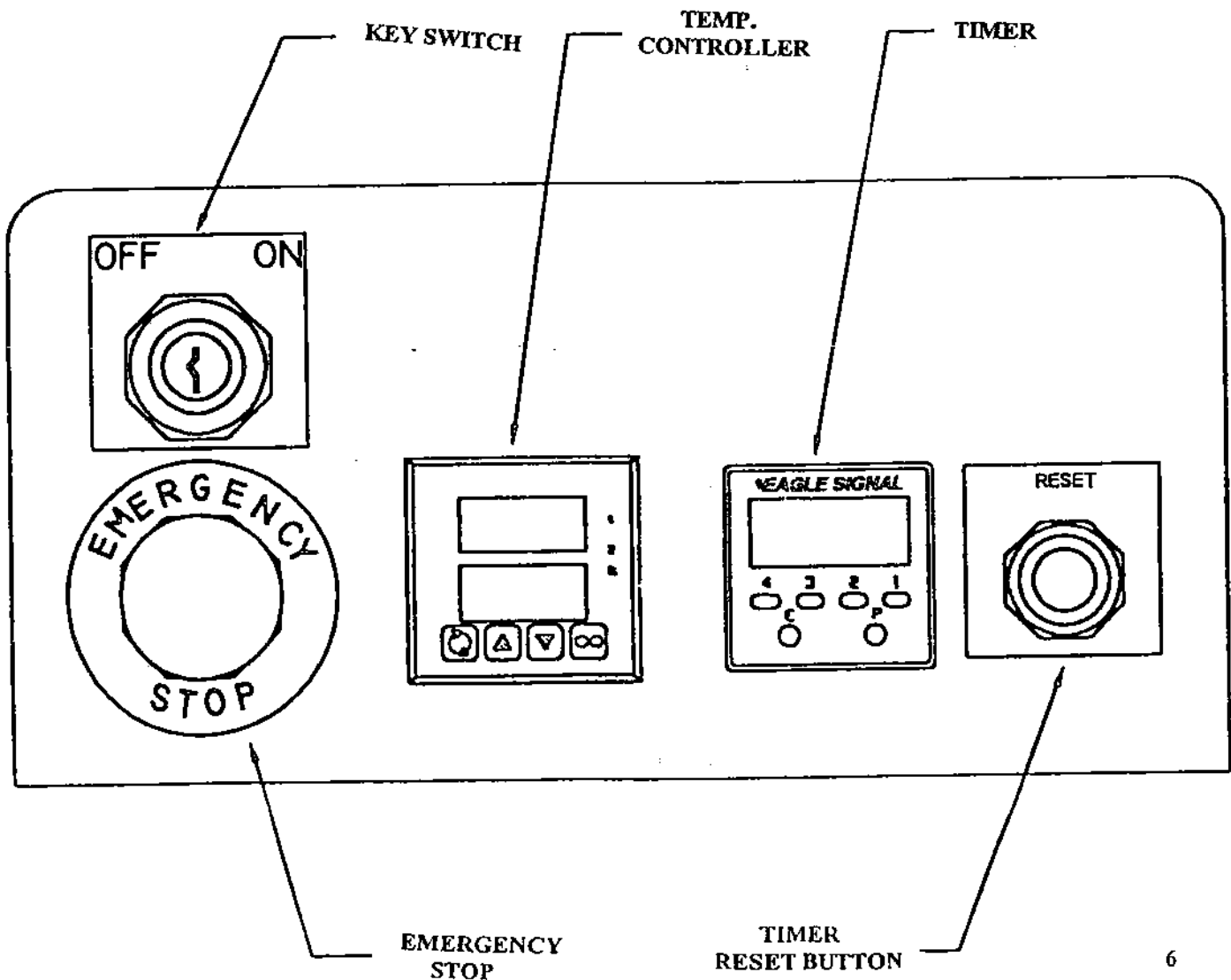
This unit features precision LCD digital programming, with dual display which allows you to view both process time and preset value. Once the process time runs out the operator has the option to press the reset button, which will start the time cycle over. The operator may choose to allow the process time to run out, which in return will shut off power to the heat panel allowing the panel to cool to room temperature.

#### 5. Temperature Controller

The dual display temperature controller is pre-set from the factory allowing the operator to increase or decrease the set value. The controller is linked to a thermo couple, which is attached to a thermo well on the heat panel, sending precise readings back to the controller. This will allow the operator to adjust the unit temperature (in degrees Fahrenheit) to meet your specific application.

#### 6. Circuit Breaker

This is attached to the unit main power supply to help protect the unit controls against power surges. This is also included to help protect the operator against electrical shock.



## SECTION IV

### PRIOR TO START-UP

Prior to attempting tile removal with the Nova STRIP 1026 provide the following:

- A. Make sure to clean dirt and debris from floor surface prior to tile removal.
- B. When ever possible strip excess wax and/or coating build-up on floor surface.
- C. Familiarize yourself with all fire extinguishers, fire safety equipment and emergency exits.
- D. Remove any dust, dirt or wax residue build-up on heater panel surface.
- E. Remove any dust or dirt built-up on the controls and control panel.
- F. Make sure you have heat resistant gloves for the HOT tile removal
- G. You might have to put on the handle if the unit was shipped to your location. When you put the handle on make sure to connect the power plug and thermal couple.

### START - UP

- A. Position unit over a section of concrete to allow unit to heat to desired temperature. If concrete area is unavailable position unit over tile being removed.
- B. Check unit to make sure breaker and key switch are in the off position.
- C. Plug power cord into unit, make sure to twist cord connector which will lock plug into position.
- D. Switch main breaker to the ON position.
- E. Turn Key switch to the ON position. The timer and temperature controls will light and run a self diagnosis test which will take about five (5) seconds. If not, make sure Emergency STOP Button is in the pulled out position and the circuit breaker is in the ON position.

**CAUTION:** At this point unit is on and panel is heating.

- F. Heat panel will take about 15-20 minutes to heat to the factory preset temperature.  
**CAUTION:** While heat panel is heating to temperature if positioned over tile, check tile periodically to insure you are not over heating the tile. Unit may have to be moved to a new section of tile before unit is up to full temperature.
- G. Once the unit reaches full temperature, reset timer to begin the timing function. This timer may be reset to meet your needs (see page 8) with a maximum preset time of 9.99.

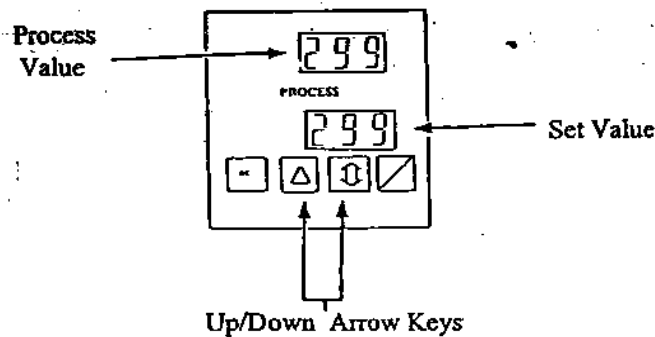
**NOTE:** Once the timer reaches ZERO, you may push the reset button to start elapsed time .

## SECTION V

### SETTING CONTROL FUNCTIONS

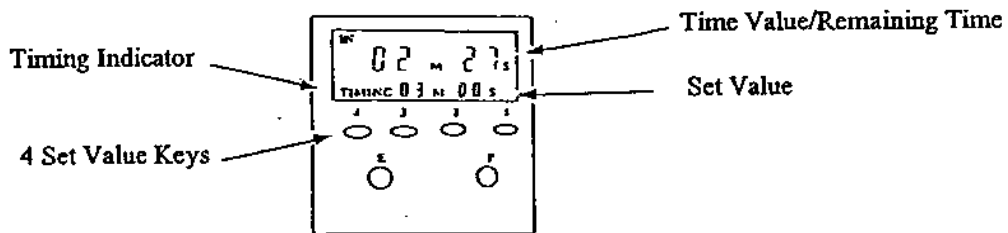
#### Temperature Controller

- A. The only buttons you need worry about are the two arrow buttons. NOVATEK has put in parameters, which will allow to increase temperature by pressing the up arrow or decrease temperature by pressing the down arrow. Once you hit the upper or lower parameter the LED reading will not allow you to proceed any further.



#### Timer

- A. The timer has been preset for a maximum time of 9.99 seconds, which may be adjusted up or down to meet your timing needs. The buttons labeled 1-4 are used to change the timing limits. The factory has disabled the (E) and (P) buttons for operator safety. When a timing cycle has been activated the word "Timing" will flash. When the word "Timing" disappears the cycle has ended and power is cut to the heat panel. Press the reset button to re-start cycle and return power to panel.



#### **CAUTION:**

**DO NOT TAMPER WITH THE FACTORY PRESET CONTROL PARAMETERS. TEMPERING COULD RESULT IN FAULTY UNIT OPERATION AND VOID THE FACTORY WARRANTY.**

## SECTION VI

### REMOVAL PROCEDURE

At this point the heat panel has heated to full temperature ready for heat application. The operator may use either the timer or the temperature controller as the main control source. Different floor characteristics such as the tile thickness, tile adhesive or just the material make up of the tile will result in different heat-up and removal time. A routine will quickly be established for each new removal application. The following is the procedure:

1. Place NOVASTRIP 1026 over designated area of tile to be removed.
2. Push the timer reset button to start the preset time cycle.
3. Once the timer reaches zero an audible alarm will sound. This means it is time to move the unit to a new section of tile to be removed.
4. While the unit is heating the new section of tile, remove the previous heated tile with a long reach scraper.
5. Once you have completed your removal application for the day, allow the time cycle to reach zero on the alarm sounds.
6. This will shut off the power to the heat panel which will allow it to return to room temperature.
7. Place a block under the front of the unit's shroud. This will allow air to circulate under the shroud helping to accelerate the cooling process.
8. The temperature controller display will indicate the cooling process by the dropping temperature display. Once the unit drops below the factory set point on alarm will sound.
9. The unit is ready to be moved, once a temperature of 100°F or below is reached.
10. Turn the key switch to the OFF position.
11. Switch circuit breaker to the OFF position.
12. Disconnect plug from power source.

The NOVA STRIP 1026 has now hit the point were it can be safely transported.

### WARNING

**The units shroud may still be quite hot! Move the unit with severe caution, wear heat resistant gloves.**

## SECTION VII

### SAFETY RULES

The NOVATEK Corporation heat unit (NOVASTRIP 1026) is a highly efficient system designed to radiate heat through the tile to soften adhesive for tile removal. In order to properly operate this unit effectively and safely, the following safety precautions should be strictly adhered to:

1. Do not leave unit unattended when connected to power source. Turn OFF electric supply and disconnect from power source, every time the unit is not being used and/or before servicing.
2. Do not operate with damaged and/or malfunctioning parts. If unit is not working as specified in this manual do to misuse repair damaged parts or return to an Authorized Repair and Service Center.  
\*Always repair with genuine NOVATEK parts, to ensure operational safety and to protect units limited warranty.
3. Keep loose clothing and all body parts away from face of heat source and/or heat shroud, as unit gets extremely HOT!
4. Sweep tile surface and remove any excess buildup of wax residue prior to heating surface. This will help to eliminate any fumes and fowl odors.
5. Turn off all controls before disconnecting from power source. This will help against control malfunction.
6. Do not operate around flammable or combustible liquids and/or gases.
7. Electric shock may occur if operated outdoors or on wet surfaces.
8. Never operate the unit in a manner where there is the possibility of physical contact with the heat panel.
9. Do not operate this unit if under the influence of alcohol, drugs or illegal substances, that may impair operator reflexes and /or awareness.
10. It shall be the responsibility of the unit owner to insure that the equipment is maintained in a safe operating condition.
11. Never touch the heat panel during heating cycle as the panel surface gets extremely hot. Heat panel surface will stay hot even after unit is turned off for about a period of 20-30 minutes.

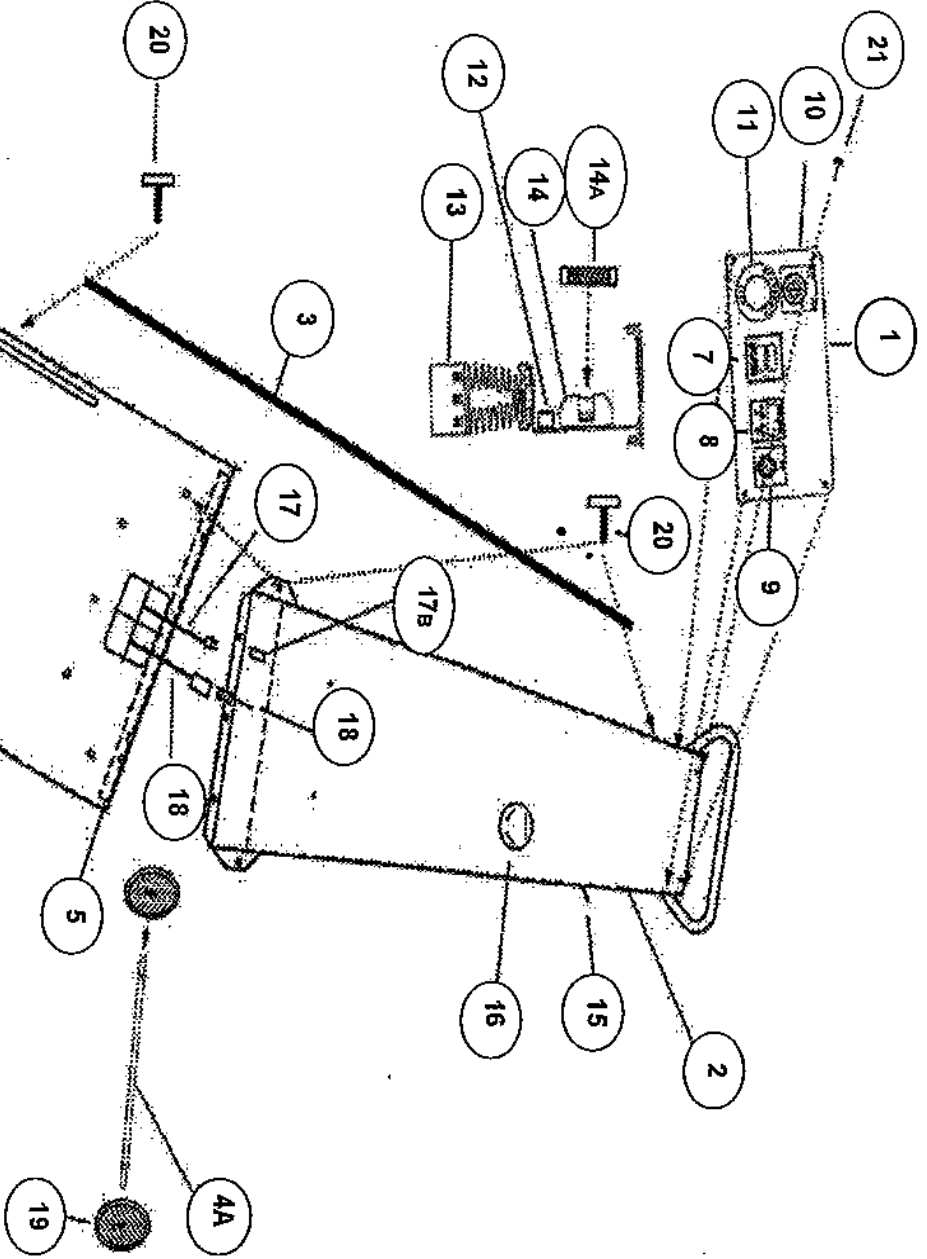
### WARNING

**Failure to follow these rules and instructions could result in serious bodily injuries**  
**Failure to follow these rules and instructions could cause a serious malfunction of the unit.**

**Read these rules and instructions carefully prior to initial use of the unit.**

**Failure to read and follow these rules and instructions could result in property damage, serious bodily injury and/or death.**





ITEM NO.	DESCRIPTION
1	Control Panel
2	Handle Assembly
3	Handle Support Bars
4	Base Assembly
4A	Axle
5	Panel Retaining Brackets
6	Heat Panel
7	Temperature Controller
8	Timer
8A	Timer "11 Pin" Plug
9	Reset Button
10	Key Switch
11	Emergency Stop Button
12	Audible Alarm
13	Solid State Relay
14	Fuse
14A	Fuse Holder
15	50 Amp Breaker
16	Recessed Male Plug
16A	Female Connector
17	Thermocouple
17A	Thermocouple Plug "Male"
17B	Thermocouple Plug "Female"
18	Power Connectors
19	Wheels
20	Grip Knobs
21	Socket Head Cap Screws

# NovaStrip 1026

# INFRARED HEAT MACHINES

For Asbestos & Regular Tile Removal

Description:

NOVASTRIP 1026 - INFRARED HEAT TILE MACHINE

NOVASTRIP 1026	Part No.	Price
	N1026	7800.00

NOVASTRIP 1026 Spares

Item	Description	Part No.	Price
1	Control Panel -1026	N102601	495.00
2	Handle Assembly -1026	N102602	1374.00
3	Handle Support Bars -1026	N102603	210.00
4	Base Assembly -1026	N102604	1290.00
4A	Axle	N102605	180.00
5	Panel Retaining Brackets (2 PC/SET)	N102606	95.00
6	Heat Panel (27" x 38")	N102607	2071.45
6A	Heat Panel Emitter Strips (Each)	N102608	63.35
6B	Heat Panel Power Lugs (Each)	H5450	2.50
7	Temperature Controller	N200965	310.00
8	Timer	N200855	183.00
8A	Timer "11 Pin" Plug	N200857	18.00
9	Reset Button	N401200	38.50
10	Key Switch	N401201	114.10
11	Emergency Stop Button	N401203	93.45
12	Audible Alarm	N401300	28.50
13	Solid State Relay	N601624	335.00
14	Fuse	N500300	58.75
14A	Fuse Holder	N500301	34.30
15	50 Amp Breaker	N500350	195.00
16	Recessed Male Plug	N702625	106.90
16A	Female Connector Plug	N702623	118.30
17	Thermocouple Complete 17"	N401400	95.00
17A	Thermocouple Plug "Male"	N401401	18.00
17B	Thermocouple Plug "Female"	N401402	21.50
18	Power Connectors "Gray" Each	N401500	18.00
19	Wheels	N601500	17.50
20	Grp Knobs	N805381	3.75
21	Socket Head Cap Screws (10 Pack)	H1003	5.20
22	Fan	N801501	48.00
22A	Metal Fan Guard	N601502	8.35
22B	Fan Power Cord	N601503	8.50
23	Vent Cover (Each)	N805280	6.35

Description:

NOVASTRIP 196 - INFRARED HEAT TILE MACHINE

NOVASTRIP 196	Part No.	Price
	N196	3900.00

NOVASTRIP 196 Spares

Item	Description	Part No.	Price
1	Control Panel -N196	N019601	445.00
2	Handle Assembly -N196	N019602	325.00
3	Base Cover	N019604	200.00
4	Base Assembly -N196	N019603	875.00
4A	Axle -N196	N019605	145.00
5	Panel Retaining Brackets (2 PC/SET)	N019606	65.00
6	Heat Panel	N019607	875.00
6A	Heat Panel Emitter Strips (Each)	N019608	46.75
6B	Heat Panel Power Lugs (Each)	H5450	2.50
7	Temperature Controller	N200965	310.00
8	Timer	N200855	183.00
8A	Timer "11 Pin" Plug	N200857	18.00
9	Reset Button	N401200	38.50
10			
11	Emergency Stop Button	N401203	93.45
12	Audible Alarm	N401300	28.50
13	Solid State Relay 20AMP	N601600	205.20
14			
14A			
15			
16	Recessed Male Plug	N306278	19.80
16A			
17	Thermocouple Complete 48"	N401410	160.00
17A			
17B			
18			
19	Wheels	N801500	17.50
20			
21	Socket Head Cap Screws (10 Pack)	H1003	5.20

All prices subject to change without notice