



# Propane Floor Burnishers

- EPA/CARB Certified Low Emission Fuel System
- UL Listed Components
- 20lb Safety Fill Fuel Cylinder
- Quick Change Drop In Cylinder Holder
- Variable Pad Pressure With Adjustable Wheels



*Onyx Black Diamond Burnishers have earned a reputation for being reliable and durable. This workhorse line of equipment is widely used by cleaning personnel and professional contractors in the educational, institutional, retail, and grocery industries.*

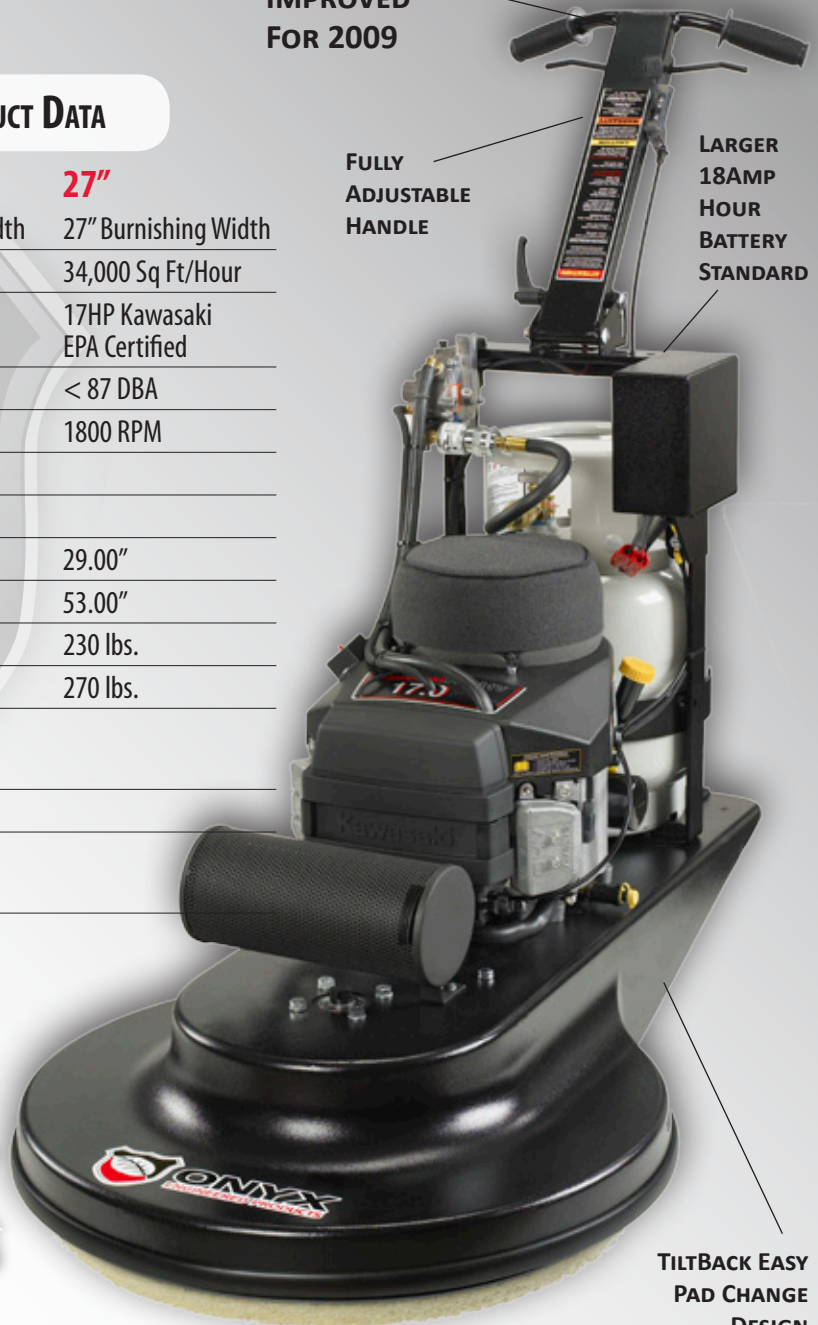
**NEW & IMPROVED FOR 2009**

## 21" - 24" - 27" BLACK DIAMOND BURNISHERS PRODUCT DATA

SPECIFICATIONS	21"	24"	27"
Pad Size	21" Burnishing Width	24" Burnishing Width	27" Burnishing Width
Performance	25,000 Sq Ft/Hour	28,000 Sq Ft/Hour	34,000 Sq Ft/Hour
Engine	13/17HP Kawasaki EPA Certified	13/17HP Kawasaki EPA Certified	17HP Kawasaki EPA Certified
Sound Level	< 87 DBA	< 87 DBA	< 87 DBA
Brush Speed	2000 RPM	1800 RPM	1800 RPM
Pad Drive	Harpoon Hook Grip Face		
Frame	Powder Coated Cast Aluminum Alloy		
Width	22.75"	26.25"	29.00"
Length	48.00"	51.00"	53.00"
Weight	195 lbs.	220 lbs.	230 lbs.
Shipping Weight	235 lbs.	260 lbs.	270 lbs.
Ignition System	12 Volt Battery Starter 110 Volt Electric start		
Fuel Tank	Steel with Overfill Protection		
Options	Emission Shutdown Passive Vacuum		

FULLY ADJUSTABLE HANDLE

LARGER 18AMP HOUR BATTERY STANDARD



TILTBACK EASY PAD CHANGE DESIGN

Contact Onyx today for more information!



**ONYX**  
ENGINEERED PRODUCTS

**1.800.858.3533**

Fax: 704.820.2892 | 137 Cross Center Road | Suite 246 | Denver, 28037

[www.onyx solutions.com](http://www.onyx solutions.com)