

The **Faster Blaster** Portable Pipe Cleaner cleans **ALL** Pipe



Small Pipe



Large Pipe



Larger Pipe



Extremely Large Pipe



Water/Petro Tanks

Mega Pipe



Tank Roofs



Tank Floors

Philadelphia 800-767-6933
New York City 800-767-4359
Rochester 800-767-4101
Chicago 800-767-9981
Boston 800-767-1767

Tampa 800-767-1225
New Orleans 866-767-9180
Phoenix 800-767-9372
Dallas 800-767-5744
Houston 800-767-8392

Hartford 800-767-7731
North Carolina 888-941-6368
Los Angeles 800-767-4620
Puerto Rico 787-878-8200

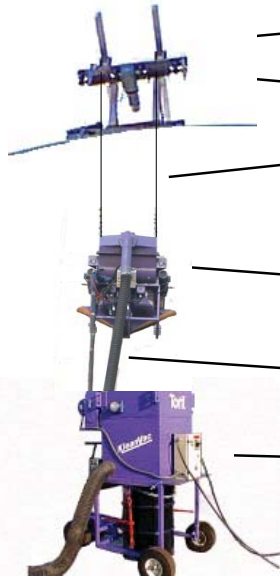
Aramsco[®]
A SAFEGUARD INDUSTRIAL COMPANY

800-767-2616
www.aramsco.com

The FasterBlaster System

Vertical Cleaning Mode

Horizontal Cleaning Mode



- Powered Fixture**
0 to 30'/Min. Travel Speed
- Hoist System**
1' to 20'/ Min. Travel Speed
- Hoist Cables (125')**



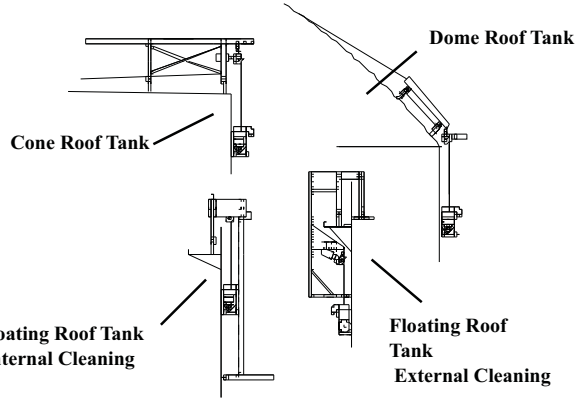
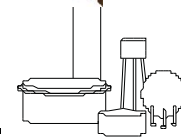
- Blast Module**
(2) 30 HP Blast Wheels
34" Wide Blast Pattern
- Vacuum Hose (100')**

- KleanVac Dust Collector**
9 Torit Cartridge Filters
Automatic Air Pulse System
Air Dryer System
Blast System Control Panel
Deposits Paint and Dust into 55 Gal. drums

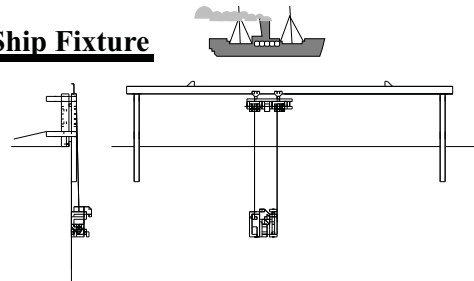


- Hand Held Remote Control**
Operates all Functions
Wireless Operation

Tank Fixtures



Ship Fixture



Weights & Measures

- Blast Module - 2000#**
(50" wide x 48" long x 45" tall)
- Hoist System - 600#**
(67" long x 36" deep x 18" high)
- Dust Collector - 1200#**
(48" wide x 67" long x 80" high)

Electrical Requirements

- 460 v. / 60 hz. / 3 phase**
- 100 amp. - Total Running Load**

Philadelphia 800-767-6933
New York City 800-767-4359
Rochester 800-767-4101
Chicago 800-767-9981
Boston 800-767-1767

Tampa 800-767-1225
New Orleans 866-767-9180
Phoenix 800-767-9372
Dallas 800-767-5744
Houston 800-767-8392

Hartford 800-767-7731
North Carolina 888-941-6368
Los Angeles 800-767-4620
Puerto Rico 787-878-8200

AramSCO[®]
A SAFEGUARD INDUSTRIAL COMPANY

800-767-2616
www.aramSCO.com