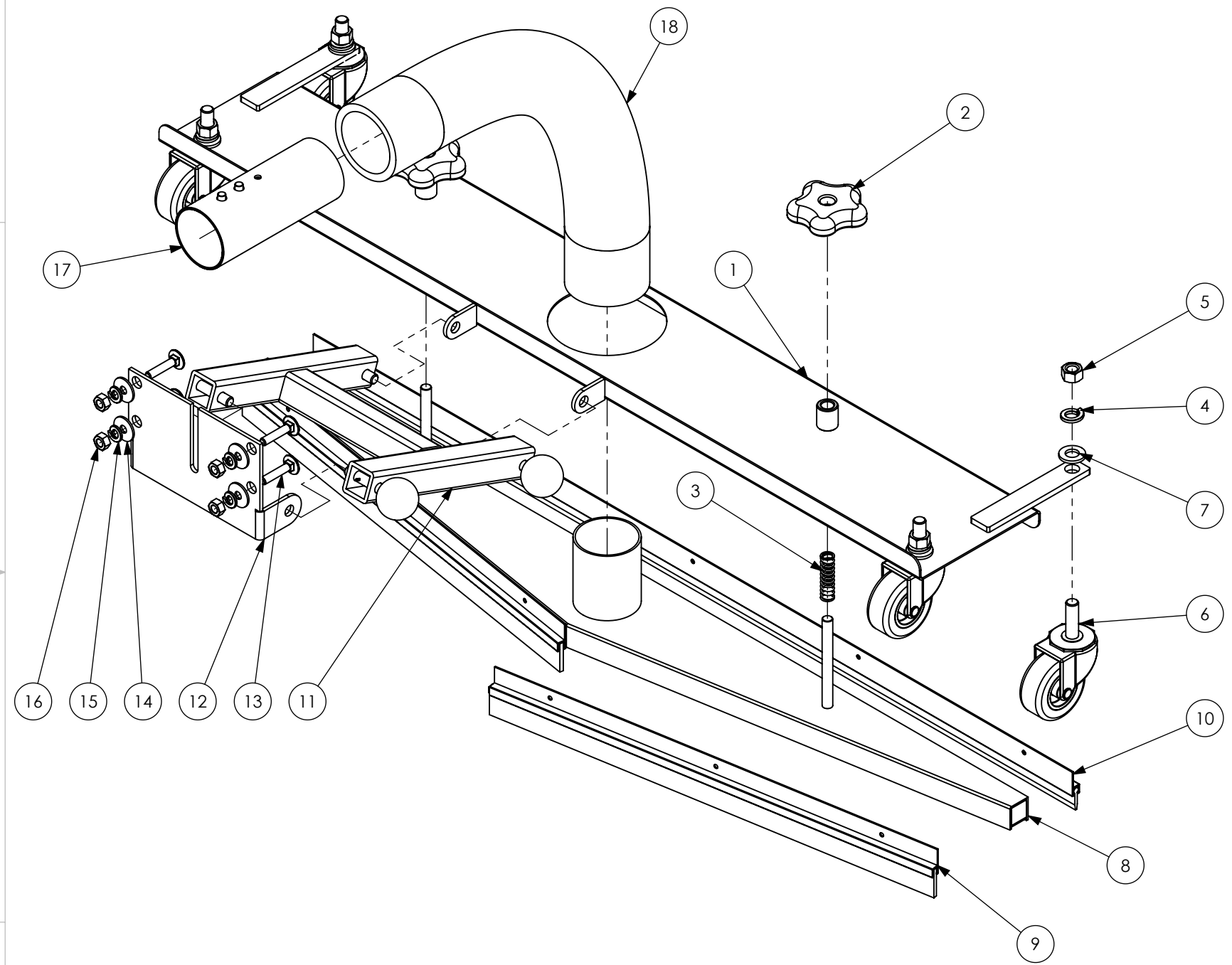


REVISIONS			
REV.	DESCRIPTION	DATE	NAME
C	E.C.O. # 813	4/22/11	D.J.S.
D	E.C.O. # 934	11/27/12	D.J.S.



ITEM NO.	PART NO.	DESCRIPTION	QTY.
1	5018A	FLOOR SWEEP TOOL FRAME	1
2	5018I	ADJUSTMENT KNOB	2
3	5018K	ADJUSTMENT SPRING	2
4	37501	Split Lock Washer, 3/8"	4
5	37502	Hex Nut, 3/8"	4
6	5018F	FLOOR SWEEP CASTER	4
7	20192	M10 Flat Washer, Zinc	4
8	5018B	FLOOR SWEEP, VACUUM HEAD,	1
9	5018CA	REPLACEMENT BRUSH	2
10	5018DA	REPLACEMENT SQUEEGEE	1
11	9702	SWIVEL CART CONNECTOR	1
12	9703	FLOOR TOOL BRACKET	1
13	34818	M6X30 Carriage Bolt	4
14	34819	M6 Fender Washer	4
15	20039	M6 Split Lock Washer, Zinc	4
16	20040	M6 Hex Nut, Zinc	4
17	5220-BL	HOSE CONNECTOR, 2" MALE	1
18	5014SC	HOSE, 2", CRUSH-PROOF, STATIC CONDUCTIVE	1

<p>PROPRIETARY AND CONFIDENTIAL</p> <p>THE INFORMATION CONTAINED IN THIS DRAWING IS THE SOLE PROPERTY OF RUWAC. ANY REPRODUCTION IN PART OR AS A WHOLE WITHOUT THE WRITTEN PERMISSION OF RUWAC IS PROHIBITED.</p>		UNLESS OTHERWISE SPECIFIED:		DATE	NAME
		<p>DIMENSIONS ARE IN INCHES</p> <p>TOLERANCES:</p> <p>FRACTIONAL $\pm 1/16"$</p> <p>ANGULAR: MACH $\pm 30'$ BEND $\pm 30'$</p> <p>TWO PLACE DECIMAL $\pm .015$</p> <p>THREE PLACE DECIMAL $\pm .005$</p>		DRAWN	1/12/06
<p>NEXT ASSY</p> <p>USED ON</p> <p>APPLICATION</p>		BREAK SHARP EDGES		CHECKED	
		MATERIAL		ENG APPR.	
		FINISH --		MFG APPR.	
				Q.A.	
				COMMENTS:	
				5018	
				<p>RUWAC 54 Winter St. Holyoke, Ma. 01040</p> <p>TITLE:</p> <p>FLOOR SWEEP TOOL 32"</p>	
		SIZE	DWG. NO.	REV	
		B	000 E 0177 US	D	
		SCALE: 1:4	WEIGHT:	SHEET 1 OF 1	