



Bronco Floor Removal Machine Owners Manual

TABLE OF CONTENTS

Safety Alert and Notations	1
Specifications.....	1
Operation and Safety Labels.....	2
Safety Precautions.....	3
Maintenance & Storage.....	4-6
Operation.....	7-11
Trouble Shooting.....	12-13
Parts, Diagrams	14-17
Warranty	18

A MESSAGE TO OUR TAYLOR TOOLS CUSTOMERS...

You have purchased the best floor removal machine available. This machine was invented by Mr. Donald Pope. Mr. Pope developed this machine over a 5 year period to improve floor removal rates for his business in Ocilla, Georgia. Donald has joined forces with Taylor Tools to assist us in bringing you this remarkable floor removal machine.

The care you give to your Bronco Stripper will determine the satisfaction and service life you will obtain from it. Use this manual as your guide. By observing the instructions for operation and safety, the Bronco will give you years of service.

If factory service is required, please call Taylor Tools at **303-371-7667** for a service center near you.

Note: The descriptions and specifications contained in this manual were in effect at the time the manual was approved for printing. Taylor Tools reserves the right to modify or discontinue models without notice and without incurring obligation.

Warranty: The warranty will be valid only if the machine is maintained and operated as directed in this manual.

Safety Alert Symbol and Notations

READ AND UNDERSTAND THIS IMPORTANT SAFETY INFORMATION BEFORE OPERATING THIS MACHINE!

The following safety notations are used throughout this manual to call attention to special information or operating procedures. Understand the message in each notation and be alert to unsafe conditions and the possibility of personal injury.

NOTE: A NOTE points out general reference information regarding proper operation and maintenance practices.

IMPORTANT: An IMPORTANT statement indicates specific procedures or information that is required to prevent damage to the machine, it's attachments or property.



This safety alert symbol is used to attract your attention because PERSONAL SAFETY IS INVOLVED! When you see this symbol BECOME ALERT, HEED ITS MESSAGE.

DANGER: Indicates an imminently hazardous situation which, if not avoided, will result in death or serious injury.

WARNING: Indicates a potentially hazardous situation which, if not avoided, could result in death or serious injury.

CAUTION: Indicates a potentially hazardous situation which, if not avoided, may result in minor or moderate injury. It is also used to alert against unsafe practices.

#260 Electric & #260P Propane Bronco

SPECIFICATIONS

Length: 48" - 54"
Width : 29"
Height to top of seat: 48"
Gross Weight: 1240 lbs.
Net Weight without weights: 688 lbs.

Electric Motor: 7-1/2 hp, 220 volts, single phase, rpm 3450
Propane Motor: 17 hp Kawasaki
Tire Specification: 10.5"x 6"x 5" Super Solid non-marking
Top speed: 500 feet per minute

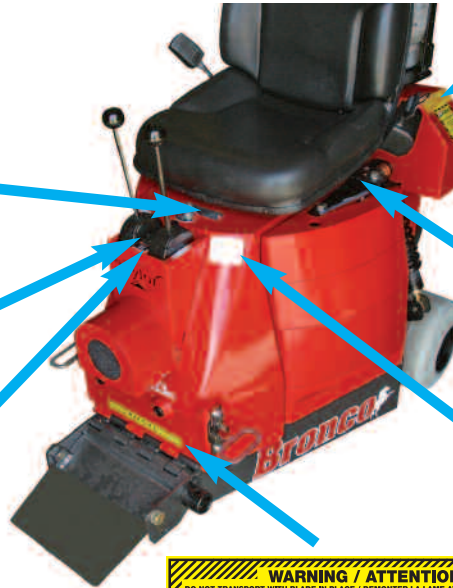
Specifications are approximate and may change without notice.

Operation and Safety Labels



**RAISE
LEVER**

**LOWER
INFÉRIEUR
-BAISSER**



WARNING
BEFORE REMOVING VINYL, ASBESTOS REINFORCED FLOOR PRODUCT, CONSULT OSHA, EPA AND OTHER APPROPRIATE STATE OR LOCAL AGENCIES AS TO THE PROPER PROCEDURE AND METHOD.

WARNING / ATTENTION
Use only in Well-Ventilated Area
A utiliser dans les endroits bien ventilés
Exhaust fumes contain Carbon Monoxide and other dangerous gases/
Les fumées contiennent du gaz carbonique et autre dangereux gaz
Failure to provide proper ventilation could result in an injury or even death/
L'exposition au monoxyde de carbone peut provoquer la mort.

**Anchor Point
Point Ancrage**

Bronco Floor Stripper #260P
Gross Weight: 1,240 lbs.
Horse Power: 17.5
Vapor Propane System
Decibels: 85 dBA Nominal
Width: 0.74m
Length: 1.22m-1.37m
Height: 1.22m

WARNING / ATTENTION
DO NOT TRANSPORT WITH BLADE IN PLACE / DEMONTER LA LAME AVANT TOUT TRANSPORT

WARNING / ATTENTION
OPERATOR AND SUPPORT PERSONNEL MUST WEAR REQUIRED SAFETY EQUIPMENT / L'OPÉRATEUR ET LES PERSONNES AUTOUR DOIVENT PORTER UN ÉQUIPEMENT DE SÛRETÉ SUIVANT :
• SAFETY GLASSES / LUNETTES DE SÛRETÉ
• LEATHER WORK GLOVES / GANTS DE TRAVAIL EN CUIR
• SAFETY SHOES BOOTS / CHAUSSURES DE SÛRETÉ
• HEARING PROTECTION / PROTECTION AUDITIVES
• HARD HAT / CASQUE
• REFLECTIVE OUTERWEAR / ÉQUIPEMENT RÉFLÉCHISSANT
FOR INTERNAL COMBUSTION ENGINE USE AN OSHA APPROVED MONOXIDE MONITOR / POUR UNE UTILISATION EN INTÉRIEUR UTILISER UN DÉTECTEUR DE MONOXIDE DE CARBONE HOMOLOGUE



**Accelerateur /
Tourner Pour Verrouiller**

**Anchor Point
Point Ancrage**

Decolleuse Bronco 94635
Poid Total: 565 Kilos
Puissance: 11 kW
Système Gaz Propane
Décibels: 85 dBA Nominal
Largeur: 0.74 metre
Longueur: 1.22-1.37 metres
Hauteur: 1.22 metres



**Vers l'avant / Arrêt / Inverse
Forward / Stop / Reverse**

WARNING / ATTENTION
DO NOT TRANSPORT WITH BLADE IN PLACE / DEMONTER LA LAME AVANT TOUT TRANSPORT

Safety Precautions

Improper use of this machine can injure people and damage the equipment. People using or servicing this machine must read and follow the instructions in this manual.

IT IS IMPORTANT TO UNDERSTAND THAT THIS MANUAL AND MACHINE LABELING DO NOT COVER EVERY POSSIBLE DANGER. IT IS IMPOSSIBLE FOR TAYLOR TOOLS TO KNOW OF ALL POSSIBLE DANGERS IN OPERATING AND SERVICING THE BRONCO STRIPPER.

THE PURCHASER MUST GIVE THESE INSTRUCTIONS TO ALL PEOPLE INVOLVED WITH OPERATING, ASSISTING IN THE WORK AREA, AND MAINTAINING THIS MACHINE.

Training:

Read and understand this manual before operating the machine.

Learn how to use the controls for steering, moving and stopping in an open area unobstructed by people and objects.

Before operating the machine and removing flooring, learn and understand all machine labeling for **DANGER, WARNING, CAUTION,** and **OPERATING INSTRUCTIONS.**

NEVER PERMIT CHILDREN TO OPERATE OR BE IN THE IMMEDIATE AREA WHEN THE MACHINE IS IN OPERATION. DO NOT ALLOW ADULTS TO OPERATE THE MACHINE WITHOUT PROPER INSTRUCTION.

Safe operation of this equipment requires your complete and unimpaired attention at all times. Do not operate unit after or during the consumption of drugs or alcohol. Keep all people and animals away from the operating area.

Transportation:

When hauling the machine, always use a ramp that is rated for the weight of the machine. Never secure the machine by the control levers, or similar items that could be damaged. Secure the machine by the main body with tie-downs that are rated for the weight of the machine.

Inspect the job site before floor removal. Identify low spots, uneven surfaces, expansion joint locations, obstacles in the floor and hazardous conditions.

Before starting the machine, check oil level and fill if necessary. Check air filters and clean/replace as needed.

Electric Machines:

When operating the machine at the job site, have a qualified electrician inspect the power source for proper rating of the overload breaker. If a power source has to be brought from a sub-panel, always have a qualified electrician perform the work. A Ground Fault Interrupter (GFI) should be used when a chance of moisture on the job site is possible. The proper location for the GFI is at the source of the power (i.e. plug the GFI into the power source and then plug the machine's extension cord into the GFI).

Before connecting the machine to the GFI protected electrical supply, inspect the cord and the cord connections for damage, and replace and or repair any damaged electrical components before connecting the machine to the power supply.

Propane Machines

Even though there is a catalytic exhaust scrubber on the machine, the engine will produce carbon monoxide. To ensure that no one is overexposed to the exhaust gases, you must provide adequate ventilation. A carbon monoxide monitor is supplied with the machine and should always be used during operation to ensure proper ventilation.

Maintenance and Storage

Maintenance:

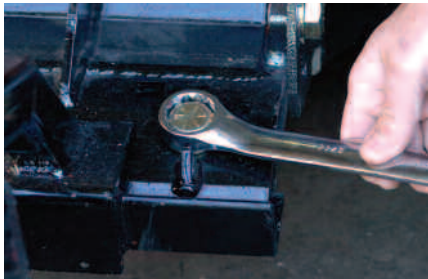
Keep the machine in good condition. Maintain it as directed in this manual and the motor manual for propane machines. Check fasteners and hydraulic hose connections at the end of each day of operation. Check the oil level and fill if necessary. Tighten and repair as necessary. Before doing any maintenance, turn machine off and disconnect from power supply.

Hood Opening Procedure

1. You will need;
3/4" wrench, 1 each
2. Shut machine off.



3. Remove the blade clamp.



4. Remove hand fastener on fan cover box and lift the box assembly up and out, being careful not to damage the electrical connection to the fan.



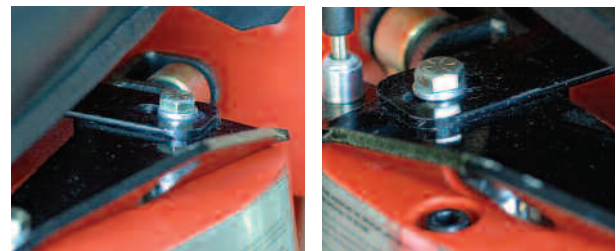
5. While holding the box assembly, release the connector clip to disconnect the electrical wiring from the box assembly.



6. Remove the two (2) 1/4" bolts that secure the control levers. These bolts do not have nuts as the cover holds them in place.



7. Under the rear portion of the seat, you will find a metal cross member that joins each side of the machine's weights. Completely remove this cross member by removing the two (2) 1/2" bolts.

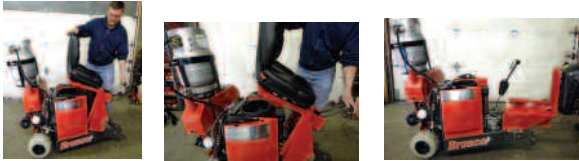


8. Locate the two clips on the back side of the frame adjacent to the propane regulator and release them.



Maintenance and Storage

9. The hood is now ready to be lifted forward. Depress the control levers fully forward. With one hand guide the levers through the opening, being careful not to damage the electrical wiring, while with the other hand, lift the hood forward by the back of the seat. The hood will rest in the fully open position while the necessary maintenance is performed on the machine.



Weight Removal:

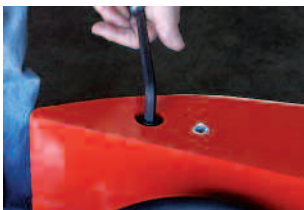
It may be necessary to remove the side weights to perform routine maintenance. On propane powered machines - oil changes and belt tightening. On electrical machines - belt tightening.

To remove side weights:

1. Open the hood per the hood opening procedure.
2. Remove the tie-down brackets.



3. Now use the allen wrench to remove the socket head bolts holding the weights in place.



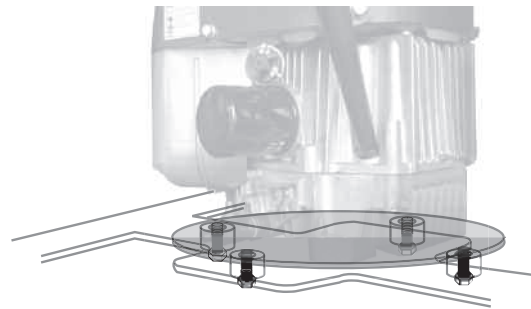
4. **CAUTION:** use proper lifting techniques. These weights are heavy (45 to 75 lbs.) and should only be lifted by a person that can safely lift this much weight.

Drive Belt Tightening:

It may be necessary to tighten the drive belt. If, when removing flooring, the belt slips, it will require tightening.

To tighten the drive belt:

1. Open the hood per the hood opening procedure.
2. Remove the side weights per the weight removal procedure.
3. Loosen the four bolts that secure the motor to the frame.



4. Use a ratchet tie down strap around the motor and the oil tank to apply tension on the belt.



5. Do not over-tighten the drive belt, an over-tightened drive belt may cause premature failure of the motor and pump bearings.
6. The belt should be tightened just enough to stop belt slippage when removing flooring.
7. Tighten the 4 bolts and replace weights and secure hood.

Maintenance and Storage

Control Cables Adjustment:

See Trouble Shooting section for, "Machine moves forward or backward when control levers are in the neutral position."

Propane Machines, Filter Maintenance:

Air Intake on front of machine, remove filter and knock off or blow out debris several times during the day when environment is dusty. It may be advisable to purchase additional filter elements in order to have a properly cleaned filter element available on the job site (order part # 260P.60.02.KIT). Check the condition of the carburetor air filter prior to operation each day that the machine is in use and replace when necessary (order part # 260P.04.22 and pre filter #260P.04.23).

Use only Taylor Tools accessories, attachments, and replacement parts. Use of other components may void warranty.

Storage:

If the machine is to be stored for an extended period of time, check for oil leaks and repair as necessary before storage. Remove the transportation wheel and lower the blade holder on the floor. Store the electrical cord on a cord reel or in a protective container to avoid incidental damage. Make sure machine is on level ground and protect the machine from the outdoor elements such as rain and direct sunlight.

Cleaning:

It is important that, when removing carpeting, care is taken not to let carpet yarn collect on the rear wheel axle. If yarn builds up on the axle it will fail the seal. When removing carpet, keep yarn scraps away from the rotating wheel. After carpet removal, check both rear axles for yarn build-up and remove as necessary. Both electric and propane machines are wash down safe. Avoid direct high pressure wash on electrical switches.

Periodic Maintenance

	Daily	25 hr.	50 hr.	100 hr.	200 hr.	300 hr.
Check hydraulic oil level	X					
Check air filters	X					
Check engine oil level	X					
Check loose fittings	X					
Check battery electrolyte		X				
Check belt tension				X		
Clean dust from heads				X		
Change engine oil				X		
Change hydraulic oil filter						X
Change engine oil filter					X	
Change & regap spark plugs (NGK BMRGA)				X		
K Clean combustion chamber						X
K Check and adjust valve clearance			X			X
K Clean and lap valve seating surface						X

K: Have an authorized Kawasaki Engine dealer perform these services

Operation

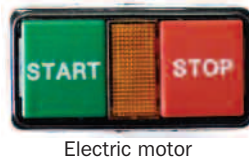
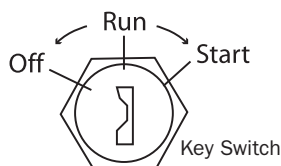
Before Starting Machine:

1. Check hydraulic oil level indicator and fill with Mobil DTE 25 or DTE 26 or equivalent if necessary. If pumps run dry, permanent damage may occur.
2. Check for oil leaks and repair as necessary.
3. Electric Bronco - Inspect the power source for proper circuit breaker protection, and make sure the GFI has been installed. This should be done by a qualified person or an electrician.
4. Electric Bronco - Inspect the electrical cord for damage and replace or repair as necessary.
5. Make sure the area is cleared of obstacles, and personnel that do not need to be in the area for demolition of the floor.
6. Operator and all personnel in the demolition area must be wearing proper safety equipment.

Required safety equipment: safety glasses, safety shoes, leather work gloves, hearing protection, hard hat, reflective outerwear.

Start Up:

- a. To start the motor, the operator must be in the seat with the seat belt restraining system properly installed, and the controls in the neutral position. **Machine will not start unless seat belt is secured.**
- b. Turn the key clockwise to start the motor, or press the start switch for electric machines.



The motor will start and the machine is ready for operation. To stop the motor, turn the key counterclockwise or press the stop button and the motor will stop.

Driving:

- a. To move the Bronco floor stripper forward or reverse, depress the control levers downward with the palm of your hands. This activates the operator-present feature and allows the levers to move forward and backward. Keep depressing the levers at all times when operating the machine. The right lever controls the speed and direction of the right wheel and the left lever controls the speed and direction of the left wheel.

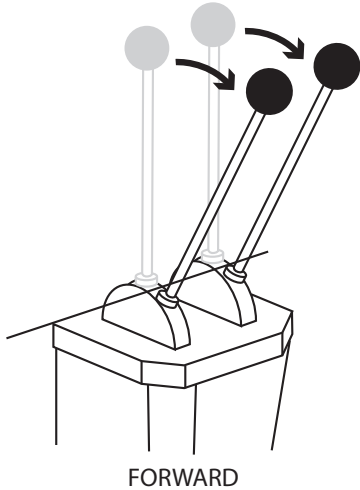


Do not use your thumbs to press the control levers down. This will cause fatigue and possibly lock the control levers in the neutral position by mistake.

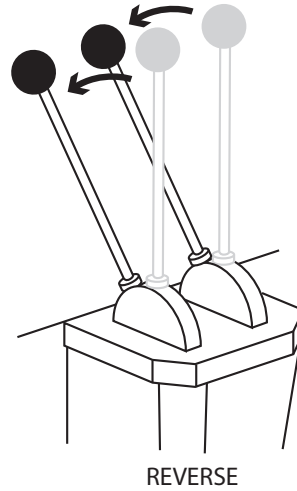


Operation

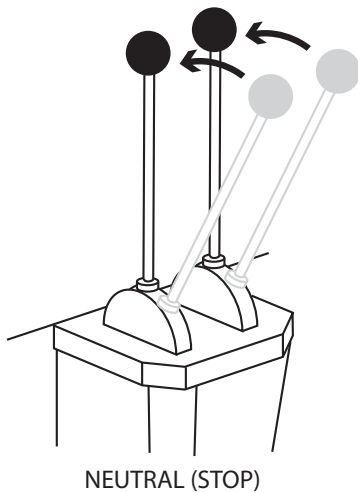
b. To move straight forward, push both levers simultaneously forward. The further forward the levers are pushed forward, the faster the machine will travel.



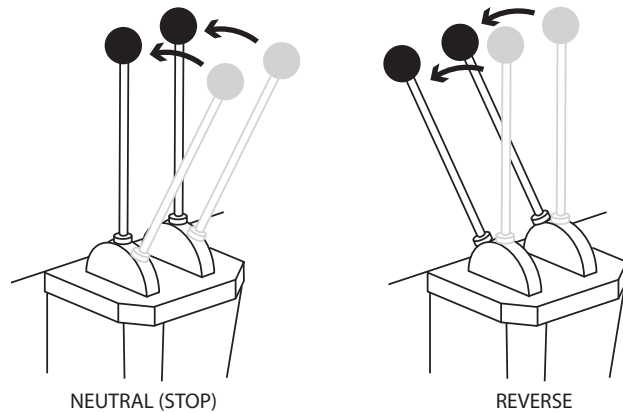
d. Pulling the levers toward the operator will reverse the machine. The further the levers are pulled back, the faster the machine will travel in reverse.



c. Bringing the levers back to center will stop the machine.

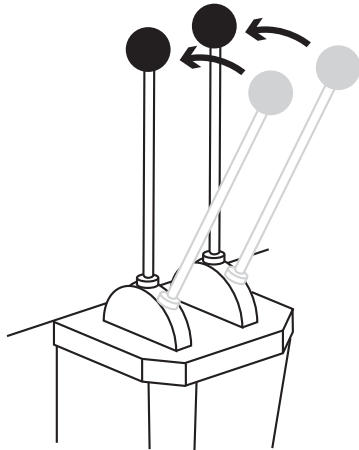


e. To turn left or right, push the opposite lever forward. As shown below, if a tighter turn is required, pulling one lever back with the other is forward will reduce the turning radius. Care must be taken when making tight turns as the further the levers are actuated, the faster the turn will be. To stop, bring the levers back to the center position.



Operation

f. Remember that the levers must always be depressed by the palm of your hand to keep the operator present feature engaged and allow the levers to move from the neutral position.



NEUTRAL (STOP)

- g. Go slow on slick surfaces. Always keep a firm grip on the controls.
- h. Before leaving the operator seat; Make sure controls are in the neutral position.
- i. Turn the motor off, and let it come to a complete stop before dismounting.
- j. Operators that are not familiar with the Bronco maneuvering controls should practice basic steering, starting and stopping in an open area free from any obstacles and personnel until proficient with the operation of the Bronco floor stripper.

Blade Selection:

There are several blades that work well for each type of flooring material. Blades listed below are the most popular for each substrate. The Taylor Tools catalog has a complete list of available blades.

Carpet:

- 265.12.SD...3 x 12 x .083" Side Cutting
- 266.12.SD...4 x 12 x .083" Side Cutting

Ceramic:

- 167.04.....4 x 4 x .125" Tool Steel
- 168.01.....1 x 4 x .250" Tool Steel

Vinyl:

- 165-103 x 10 x .083" Most popular
- 165-073 x 7 x .083"
- 166-104 x 10 x .125"
- 166-074 x 7 x .125"

Wood:

- 167.04.....4 x 4 x .125" Tool Steel
- 168.01.....1 x 4 x .250" Tool Steel



WARNING

Always wear cut resistant gloves when handling and changing the blade. The blades are razor sharp and can cause serious injury.

- a. Stop the motor before changing the blade.
- b. Always change or install the blade on a level floor.
- c. Raise the machine by using the lifting actuator or the hand-operated jack. Lift the machine to a height that will allow easy blade removal and installation.



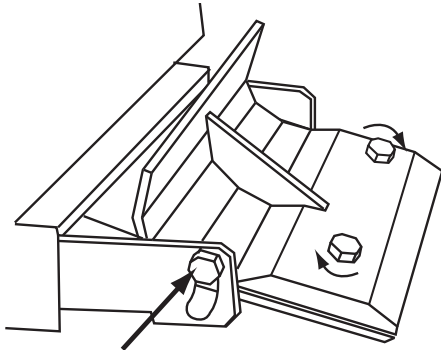
lifting actuator



hand-operated jack

Operation

d. With the wrench provided with the Bronco, loosen the two bolts on the blade clamp and clean any debris under the clamp to ensure proper seating of the new blade.



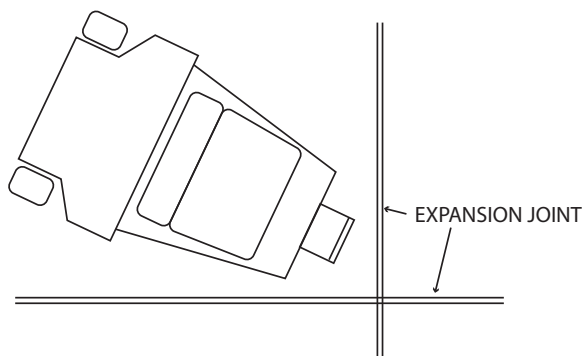
Blade Angle Adjustment

e. Tighten the two bolts securely with the blade in place. Always set blade angle as close to horizontal as possible (highest on the blade angle adjustment), without the machine disengaging from the substrate. If the machine disengages from the substrate, increase the blade angle and/or reduce the blade width. A slight change in blade angle makes a big difference in removal efficiency.

f. Lower machine back to the floor making sure the lifting foot is completely retracted and/or remove the hand-operated jack.

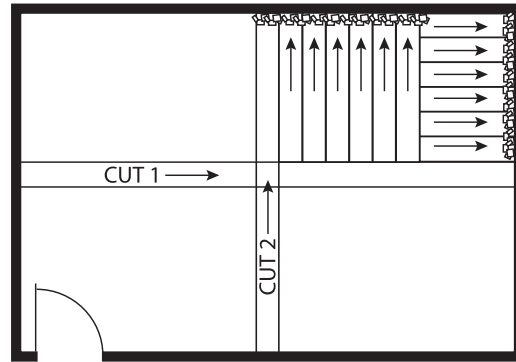
Substrate Removal

a. Inspect the floor prior to removal of any substrate for expansion joints, floor nails and bolts or any other obstructions such as electrical and gas outlets that may cause damage to the blade.

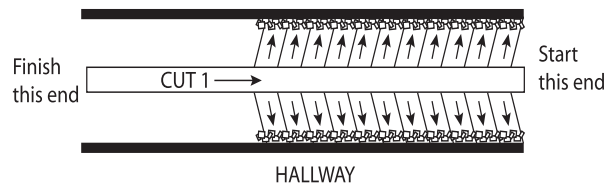


TOP VIEW

b. When expansion joints are identified and marked, they should be navigated by a slight angle to prevent the blade from engaging them at right angles.



c. It is important to divide the room into sections and remove the substrate toward the walls. This will keep debris away from the material yet to be removed and reduce the build-up of scrap on the floor area that you are maneuvering on. Removal and cleanup of the area will then be faster and easier.



d. Hallways are done in a manner that leaves the removed substrate at the end of the hall where the accumulated removal material will be removed. Make your removal paths in a diagonal pattern. This will allow you to get close to the walls.

Carpet Pulling:

There are some cases where the machine can be used in conjunction with the **Taylor Tools Lock Jaws Carpet Clamp, (part #200)** to pull the carpet off the floor in 6'-12' widths. This is usually the fastest way to remove carpet. Most commonly done on **"Direct Glue"** or **"Double Stick"** carpets.

Trouble Shooting

PROPANE / ELECTRIC

Problem

Solution

Machine moves but has low power.

- Check to see if the bypass valves are open.
- Check belt tension and tighten if necessary.
- Check hydraulic oil level.

Machine makes a loud squeal when control levers are actuated.

- Check belt tension.
- Check hydraulic oil level.
- If pumps have been run dry they may require replacement.

- Check shaft seal on the wheel motors for carpet fiber. If the shaft seal is leaking it will require removal of the hydraulic motor and repair by a qualified hydraulic company.

Failure due to running out of oil is not covered by warranty.

Control lever will not engage drive wheel.

- Check the linkage connection to the pump control arm.
 - Check belt tension and tighten if necessary.
 - Check hydraulic oil level.
 - If there is a loud squeal coming from the pump, it may be caused by a loose belt or a pump that has been run without oil. If the latter is the case, the pump must be replaced. Pump failure due to running out of oil is not covered by warranty.
-

Trouble Shooting

PROPANE / ELECTRIC

Problem

Machine moves forward or backward when control levers are in the neutral position.

Solution

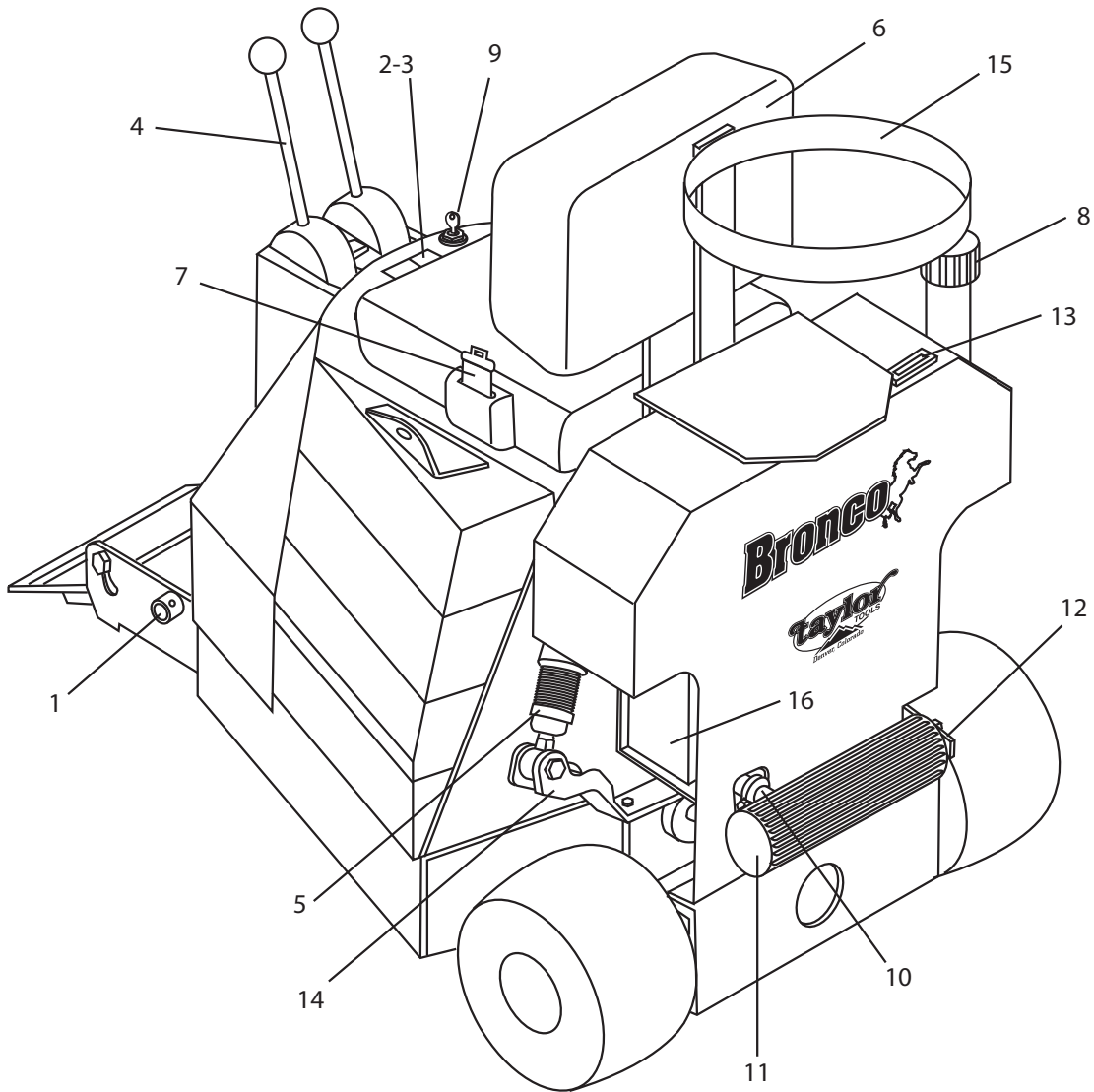
- ❑ Put machine on a safe block to allow free turning of the wheel to be adjusted.



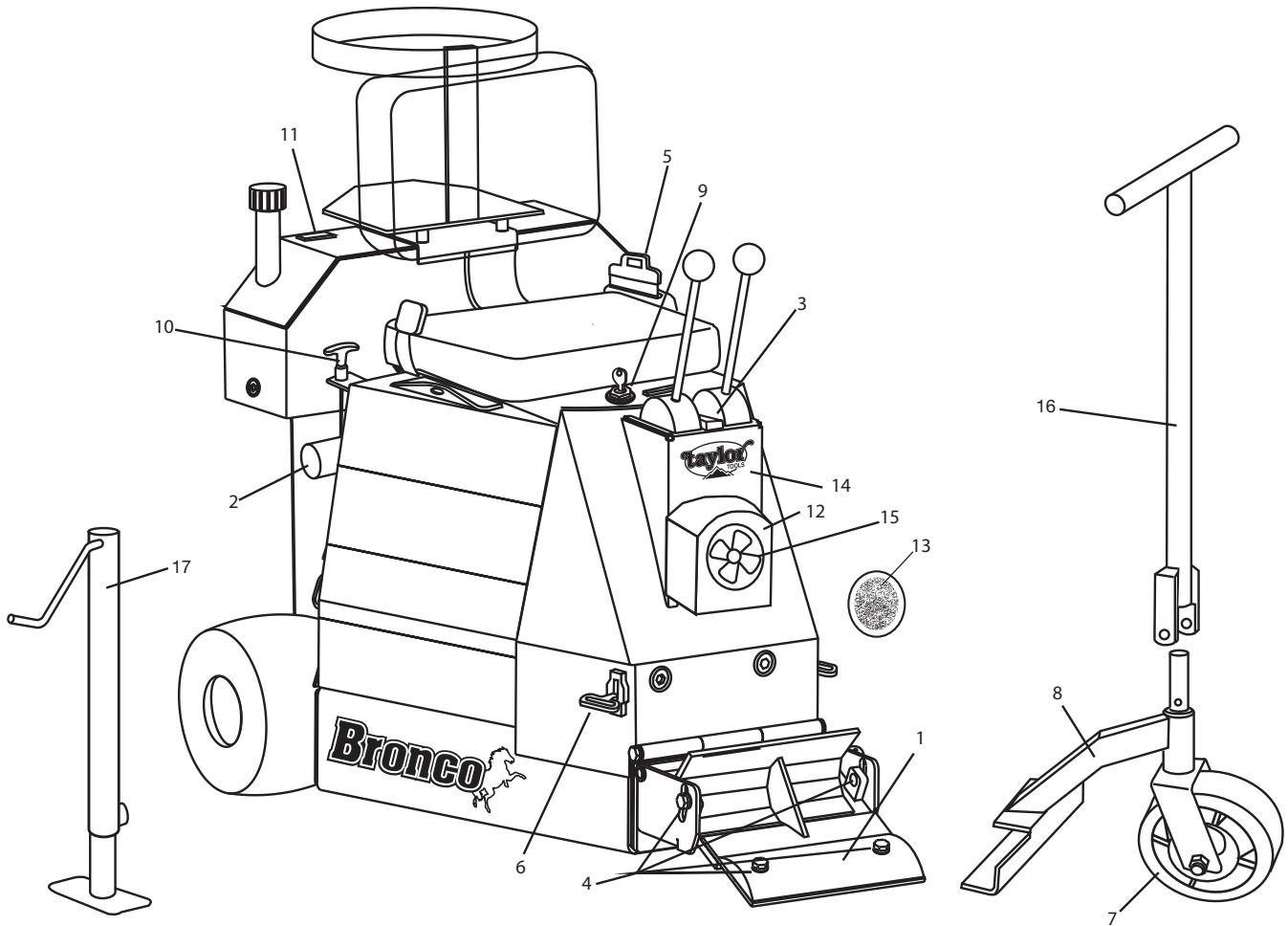
- ❑ Open machine hood (see hood opening procedure), and rotate the appropriate control lever clockwise or counter-clockwise until the wheel stops moving. Make sure that the cable end (attached to the ball joint on the control arm), does not unscrew from the end of the cable when rotating the control levers.



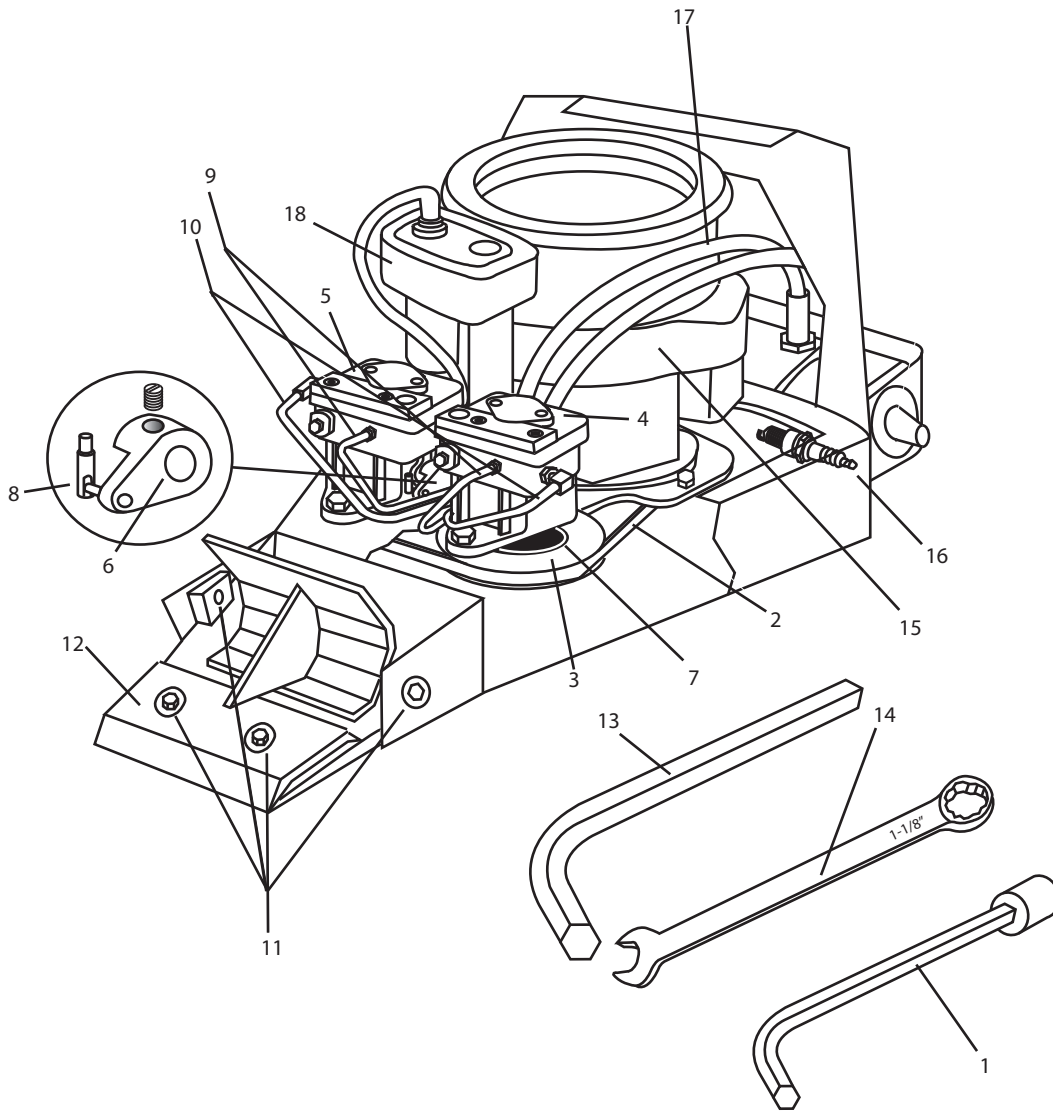
Port View, Electric/Propane



Key	Catalog #	Description	Pk	Wt
1	260.40.16	Jack Mount	1	1.4
2	260.05.32	On/Off Switch 220 Volt	1	0.5
3	260.05.32B	Boot, On/Off Switch 220 Volt	1	0.02
4	260.15.22	Control Lever	1	4.4
5	260.40.50	Shock Absorber	1	4
6	260.60.08	Seat W/Seat Belt	1	22
7	260.60.08S	Seat Belt / W Swich	1	3
8	260.70.12.KIT	Filler Cap Only	1	1
9	260P.02.00	Key Switch, Propane Engine	1	0.5
10	260P.04.01A	Muffler Clamp	1	0.2
11	260P.04.13	Muffler, Kawasaki	1	7
12	260P.05.10	Muffler Support Bracket	1	4
13	260P.05.34	Hour Meter, Propane Engine	1	0.3
14	260P.30.06	Shock Bracket Set, Left/Right	1	9
15	260P.70.04	Mount, Propane Tank	1	9
16	260P.75.00	Battery 12 Volts	1	4



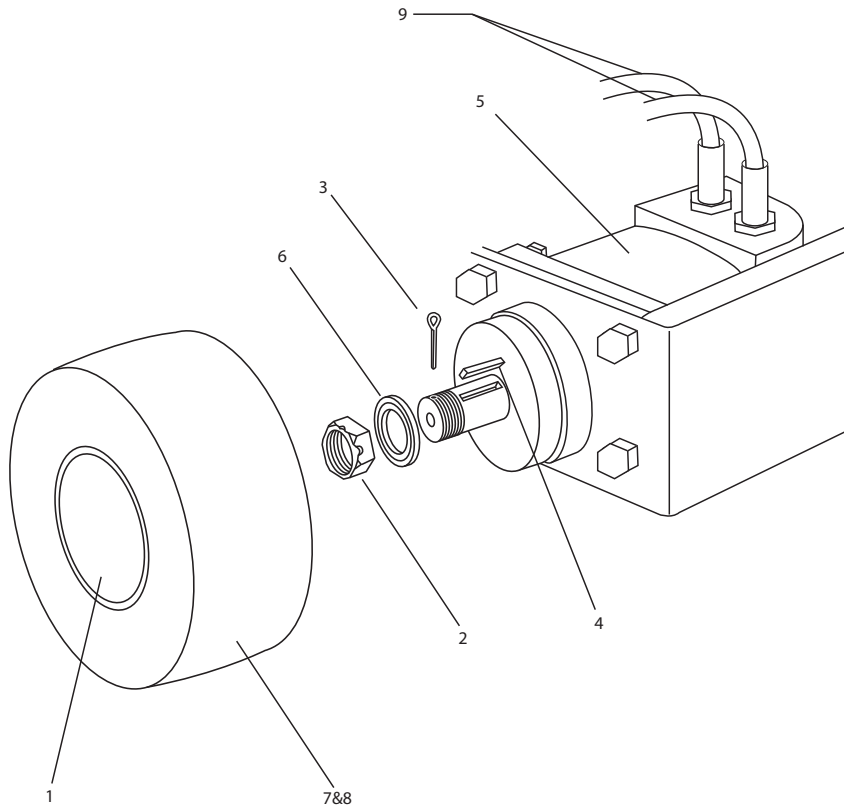
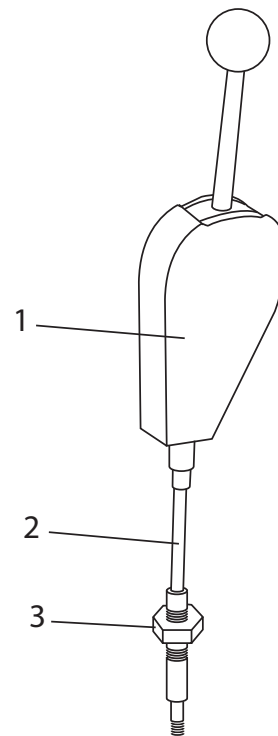
Key	Catalog #	Description	Pk	Wt
1	260.40.40	Blade Clamp W/ Deflector	1	18
2	260.15.31	Filter, Element, Replacement	1	1
3	260.40.02.KIT	Raise/Lower Switch	1	0.3
4	260.40.11.KIT	Fastner Kit, Blade Clamp	1	4
5	260.60.08S	Seat Belt / W Swich	1	3
6	260.60.10	Foot Rest	1	1.4
7	260B.40.20	Transportation Wheel	1	14
8	260B.40.21	Transportation Frame, Bronco	1	19
9	260P.02.00	Key Switch, Propane Engine	1	0.5
10	260P.04.11	Throttle Cable	1	0.8
11	260P.05.34	Hour Meter, Propane Engine	1	0.3
12	260P.60.01.KIT	Fan Housing	1	6
13	260P.60.02.KIT	Filter Element, Air Supply 4"	1	0.1
14	260P.60.04.KIT	Front Cover, Hood, Propane	1	3.5
15	260P.60.05	Cooling Fan	1	3
16	260.40.19	Transportation Handle	1	4
17	260.40.15	Jack W/Side Crank	1	13



Key	Catalog #	Description	Pk	Wt
1	260.90.04.Kit	Socket Allen Wrench Tool	1	0.4
2	260.05.04	V Belt	1	0.8
3	260.15.15	Sheave, Hydraulic Pumps	1	2.7
4	260.15.19	Pump, Hydraulic, Port	1	14
5	260.15.20	Pump, Hydraulic, Starboard	1	14
6	260.15.21.Kit	Control Arm W/ Set Screw	1	0.3
7	260.15.25	Bushing, Hydraulic Pumps	1	1.5
8	260.15.27	Ball Joint, Control Arm	1	0.02
9	260.15.57.Kit	Feed Hose W/Fittings	1	2
10	260.15.58.Kit	Return Hyd. Hose Port /W Fittings	1	2
11	260.40.11.Kit	Fastner Kit, Blade Clamp	1	4
12	260.40.40	Blade Clamp W/ Deflector	1	18
13	260.90.01	Allen Wrench, 9/16"	1	0.3
14	260.90.03	1-1/8: Open End Box Wrench	1	4
15	260P.04.00	Kawasaki Propane Motor, 17hp	1	44
16	260P.04.14	Spark Plug, Auto Lite, Kawasak	1	0.2
17	260P.15.39	Hydraulic Hose, Universal	1	2.6
18	260P.40.02	Linear Actuator 12 Volts DC	1	14

Control Lever Assembly

Key	Catalog #	Description	Pack	Wt. (lbs.)
1	260.15.22	Control Lever	1	4.4
2	260.15.23	Control Cables	1	1.5
3	260.15.28	Jam Nut, Cable Bracket	1	0.03



Key	Catalog #	Description	Pk	Wt
1	260.20.00	Hub,	1	16
2	050.20.27	1" Castle Nut NF	1	0.2
3	060.10.03	1/8 x 1 1/4 Cotter Pin Z	1	0.02
4	260.05.07	Keystock 5/16 x 1"	1	0.03
5	260.15.10	Motor, Hydraulic	1	22
6	260.15.12	Seal Guard, Hydraulic Motor	1	0.4
7	260.20.05	Tire, Plain	1	18
8	260.20.05.kit	Tire & Hub Assembly	1	34
9	260P.15.39	Hydraulic Hose, Universal	1	2.6

1 Year Limited Warranty

Roofing Equipment, Inc., a California corporation that does business under the name "Taylor Tools" (the "Company"), hereby warrants to the original purchaser, on and subject to the terms described herein, that the Product shall be free of defects in material and workmanship for a period of 1 year from date of purchase (the "Limited Warranty"). In the event the Company determines that a failure is related to defects in material or workmanship and the conditions of this Limited Warranty set forth below apply, the Company at its discretion will accept the responsibility to correct or replace the defect at its cost. Parts and labor will be free of charge for one (1) Year from the date of purchase. The method of correction will be determined in the reasonable discretion of the Company and, where necessary, will include materials and labor provided by a dealer or a repair company designated by the Company.

Purchaser Responsibilities:

Purchaser shall provide maintenance and adjustments and shall have complied with the procedures and recommendations described in the Operators / Instruction Manual. The Company makes no representation or warranty with respect to the useful life of the Product which will depend on the manner in which it is used, something the Company cannot control. The Purchaser must understand that frequent heavy-duty use of the Product will shorten its useful life. Transportation charges to deliver the Product to and from the place where the warranty repair will be performed are the responsibility of the Purchaser.

The Limited Warranty:

This Limited Warranty contains all of the terms of the warranty being provided in connection with the Product. No person is authorized to make any changes or additions to the terms set forth herein unless they are set forth in writing and signed by an officer of the Company. The Product is sold as a business rather than as a consumer product. If there is a defect in the materials or workmanship covered by this Limited Warranty, the Company's sole obligation shall be repair and replacement as described herein. In no event will the Company be liable or responsible to the purchaser, other contractors on the job, or the owner or lender of the building for any damages in excess of the cost described herein. This limitation applies to damages of any kind, including any direct or indirect damages, lost profits, lost savings, lost of use or cost of capital, or other special, incidental, exemplary, punitive, or consequential damages whether for breach of contract, tort, or otherwise or whether arising out of the use of or the inability to use the product or system. This Limited Warranty runs only in favor of the original purchaser identified in a Product Registration card properly and timely sent to the Company and shall not apply to nor can it be enforced by any assignees, successors or subsequent purchasers of the product. This Limited Warranty is limited; thus the terms and conditions of the Limited Warranty should be reviewed and understood before purchasing the Product.

Notice of Claim:

In order to evaluate the likely cause of any claimed defect and, if the coverage provided herein applies, to correct any such defect, a claim under this Limited Warranty must be in writing and shall be sent to the Company at the address set forth below ("Notice of Claim") within thirty days from the date such defect or defective condition is first noticed or becomes apparent ("Claim Date"). A longer period of time elapsing between the Claim Date and the Notice of Claim may result in the inability of Company to determine the nature and extent of such defect, and the Company reserves the right to disallow any Notice of Claim not made within such period. Following receipt of the Notice of Claim, representatives of the Company shall be entitled to make such inspections and tests with the full cooperation of the original purchaser as may be necessary to determine the cause of the claimed defect. The right to inspect the product and the continued cooperation of those involved shall be necessary in order for coverage herein to apply.

This Limited Warranty requires timely written notification of any claimed defect or claim hereunder. Failure to notify the Company promptly of any such claim may void the coverage provided by this Limited Warranty. Notice of Claim should be sent or faxed to: Taylor Tools 5045 Paris Street, Denver, CO 80239

Exclusions of Warranty:

No warranty is extended on any Product that has been altered, misused, mis-assembled, improperly adjusted, neglected or damaged by accident, shipping, handling, warehousing, lack of routine maintenance, or failure to follow the provisions and recommendations in the Instruction /Operating Manual. No warranty is extended for service completed by someone other than an Authorized Dealer designated by the Company. The Company reserves the right to incorporate any change in design into its products without obligation to make such changes on products previously manufactured.

DISCLAIMER OF FURTHER WARRANTY

The Company makes no other warranty, express or implied, other than this Limited Warranty. The implied warranties of merchantability and fitness for particular purpose are limited to one (1) year as described herein, or, to the extent permitted by law, are hereby disclaimed. The repair or replacement of parts that prove to be defective in material or workmanship shall be the exclusive remedy for breach of this warranty. To the extent permitted by law, the Company shall not be liable for incidental or consequential damages including but not limited to damages for inconvenience, rental or purchase of replacement equipment, or for loss of profits or other commercial loss, resulting from a breach of this warranty. Some states do not allow limitation on how long an implied warranty lasts, and some states do not allow the exclusion or limitation of incidental or consequential damages, so the above limitation and exclusion may not apply to you. This Limited Warranty gives you specific legal rights, and you may also have other rights which vary from state to state.