

# PULLMAN-HOLT

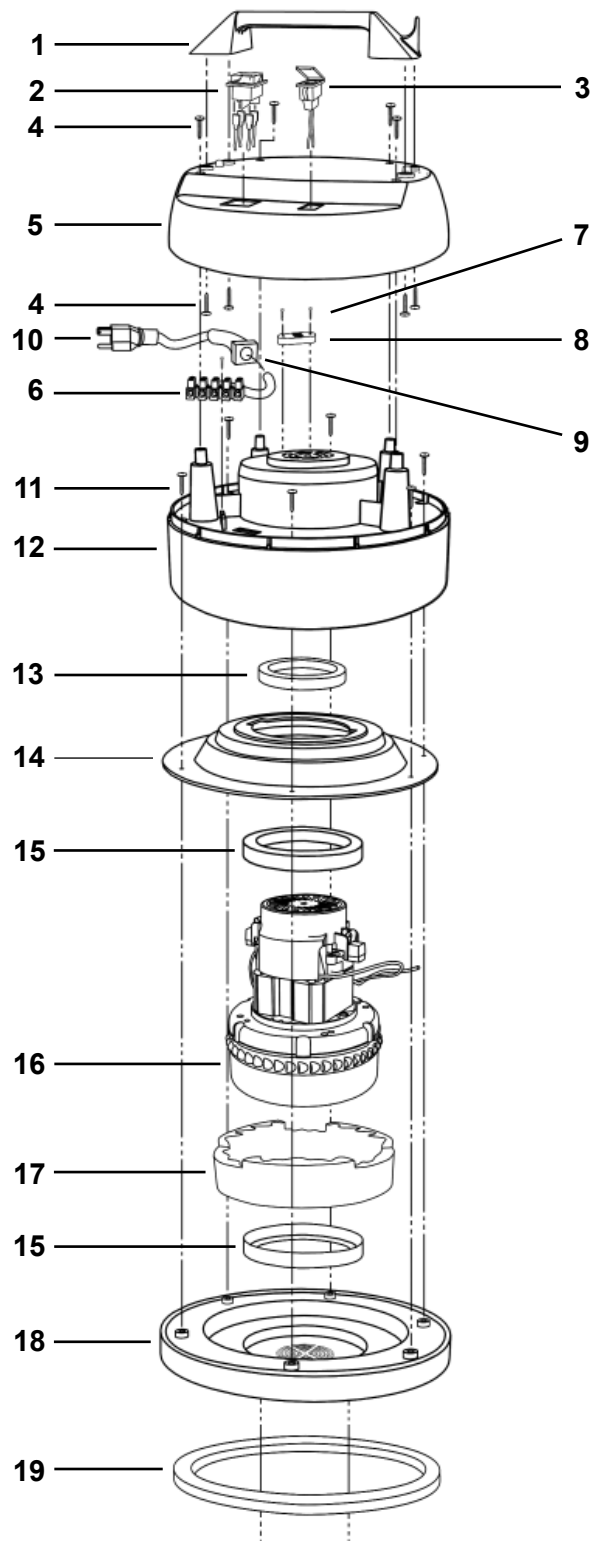
## REPLACEMENT PARTS LIST

Save for future reference

### 45-10P Wet/Dry Vacuum

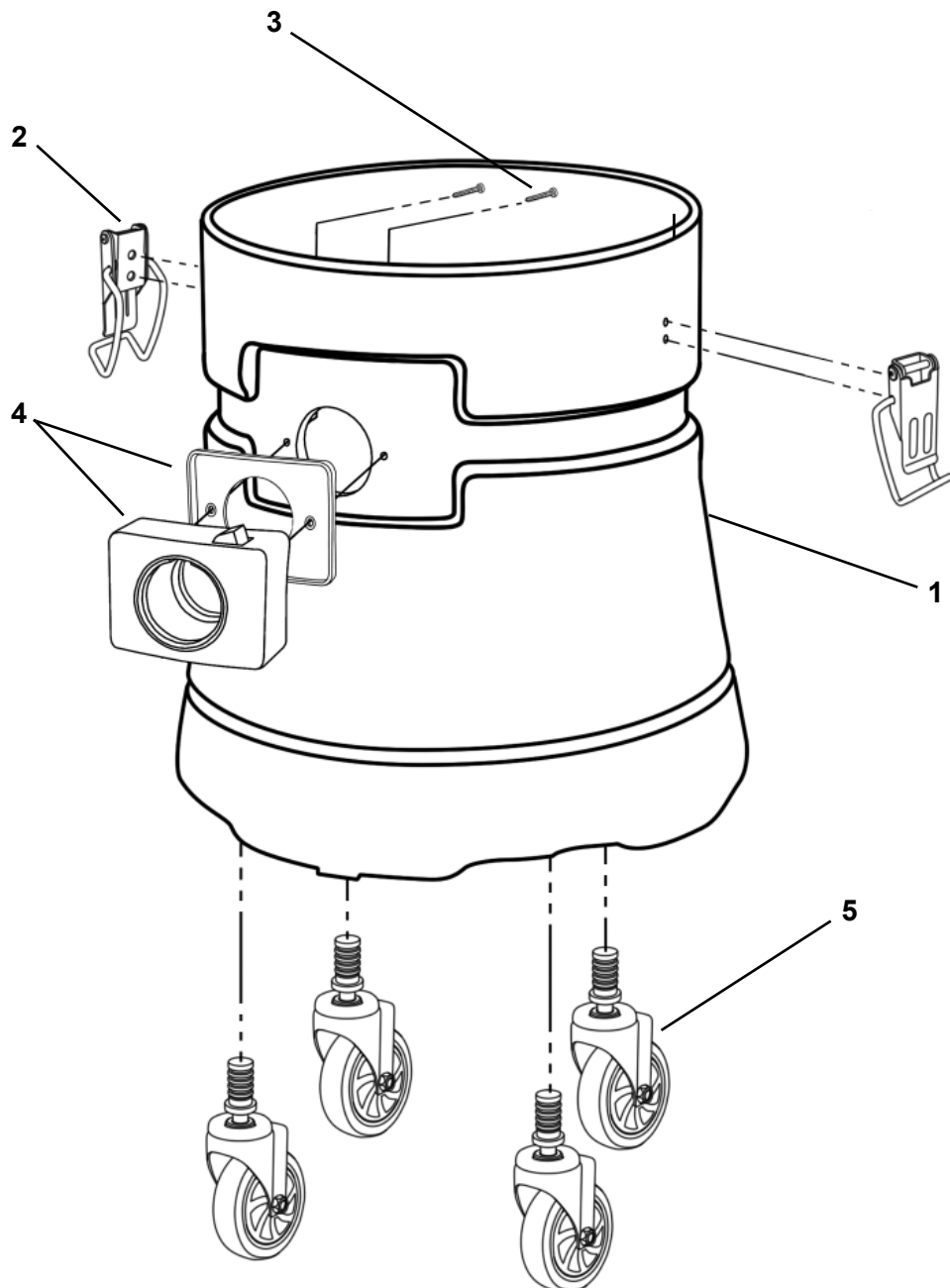
#### Motorhead Assembly

Ref.	Part No.	Description	Qty
1	B160644	Top Handle	1
2	B701881	Switch	1
3	B160645	Power Head Outlet	1
4	B160646	Screw 4.8 x 15mm	8
5	B160647	Dome	1
6	B160648	Terminal Strip	1
7	B701892	Screw 2.9 x 19mm	3
8	B701893	Cord Restraint	1
9	B160649	Rubber Strain Relief	1
10	B701894	Cord Set	1
11	B702390	Screw 4.8 x 19mm	6
12	B160650	Blower Chamber	1
13	B701897	Motor Cooling Gasket	1
14	B701896	Top Motor Adaptor	1
15	B701898	Motor Housing Gasket	2
16	B527297	Motor 120 volt	1
17	B701883	Foam	1
18	B701900	Can Cap	1
19	B701901	Gasket Can Cap	1



# TANK ASSEMBLY

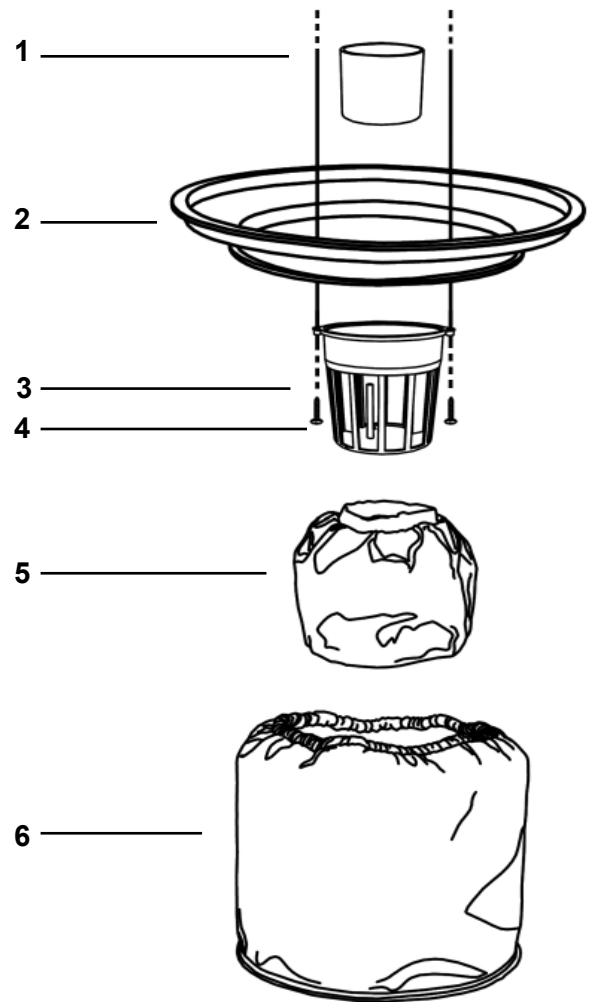
Ref.	Part No.	Description	Qty	Ref.	Part No.	Description	Qty
1	B701905	10 Gallon Tank	1	4	B701889	Hose Inlet w/Gasket	1
2	B100464	Clamp	2	5	B100463	Caster	4
3	B703715	Stainless Steel Screw	2				



# Filter Assembly

Ref.	Part No.	Description	Qty
1*	B703054	Float	1
2*	B701885	Filter Ring	1
3	B160646	Screw 4.8 x 15mm	2
4*	B701903	Float Cage	1
5	B703966	Mesh Secondary Filter	1
6*	B701904	Cloth Filter	1

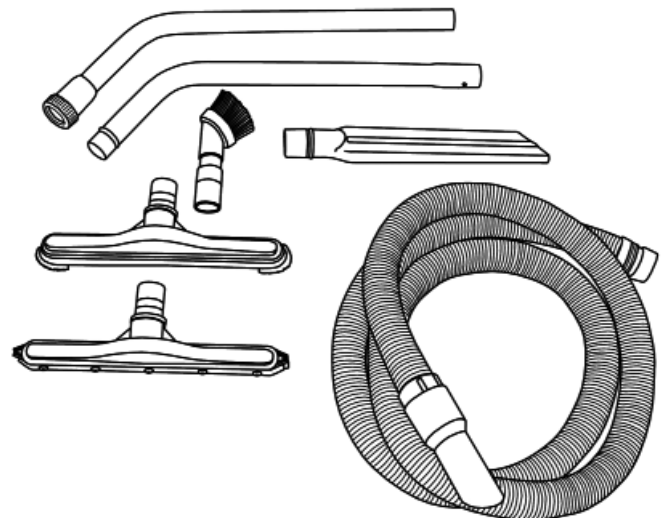
\* Not included in 45HEPA-D, 45HEPA-WD



# Tool Kit

Part No.	Description	Qty
B521007	5' Two-piece Wand	1
B702361	10' Crushproof Hose w Ends	1
B000394	2" Dusting Brush	1
B701615	17" Crevice Tool	1
B527095	Floor Brush Tool	1
B527094**	Squeegee Tool	1

\*\* Not included in 45HEPA-D



**NOTES:**

***PULLMAN-HOLT***

10702 N. 46th Street • Tampa, FL 33617  
(813) 971-2223 • Fax (813) 971-6090  
[www.pullman-holt.com](http://www.pullman-holt.com)

B160662 06/11