

PARTS BULLETIN



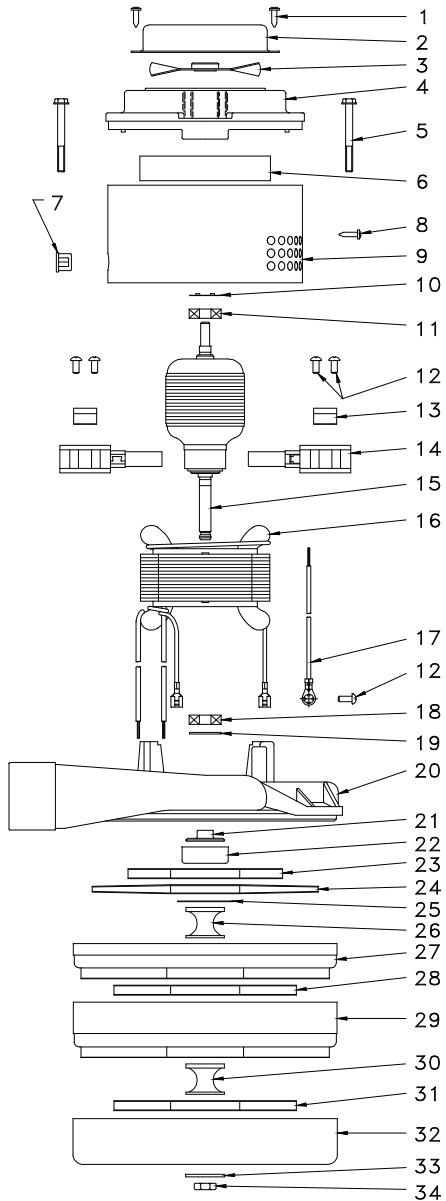
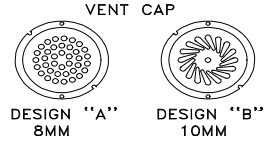
MODEL NO.
116103-00

ISSUED: June 1993
REVISED: March 2000

7.2"/183mm DIAMETER, 120V, 3-STAGE, BALL/BALL, TANGENTIAL DISCHARGE, EPOXY

A design change from an 8mm to a 10 mm armature shaft and fan end bearing system was made effective 4-1-92. Motor with vent cap design "A" reflect the 8mm design, and design "B" reflects the 10mm design. Please use parts accordingly.

PARTS LIST



	DESCRIPTION	REQUIRED	PART NO. DESIGN "A" 8MM	PART NO. DESIGN "B" 10MM
1	SCREW	2	60-7992	60-7992
2	COVER, VENT CAP	1	40-3773	70-3713
3	FAN	1	31325	31325
4	BRACKET	1	10-6850	10-6850
5	SCREW	2	70-7966	70-7966
6	AIR VENT RING	1	30-4409	30-4409
7	GROMMET	1	10-5480	10-5480
8	SCREW	1	60-7992	60-7992
9	BAND	1	6126	6126
10	LOAD SPRING	1	10-3543	10-3543
11	BALL BEARING	1	70-7619-2	70-7619-2
12	SCREW	5	50-7971	50-7971
13	CLAMP	2	0-5490	0-5490
14	BRUSH MECHANISM	2	33415-4	33415-4
15	ARMATURE	1	216103-00	216103-01
16	FIELD	1	316103-00	316103-02
17	LEAD & TERMINAL	1	39262	39262
18	BALL BEARING	1	70-7616-2	70-7616-2
19	NEOPRENE WASHER	1	10-2481	10-2494
20	FAN END BRACKET	1	45931	45931-1
21	SPACER	1	20-2965	30-2956
22	SLINGER	1	30-4340	50-4172-1
23	ROTATING FAN	1	31282	31282-3
24	ROTATING FAN	1	31213	31213-1
25	WASHER	1	20-2268	20-2268-1
26	SPACER	1	10-2977	20-2991
27	STATIONARY FAN	1	31501-10	31501-10
28	ROTATING FAN	1	31120	31292
29	STATIONARY FAN	1	31502-10	31502-10
30	SPACER	1	10-2977	20-2991
31	ROTATING FAN	1	31120	31292
32	FAN SHELL	1	30-4068	30-4068
33	WASHER	1	20-2235	30-2288
34	NUT	1	7491	7491

Part numbers subject to change without notice. This information is for part identity only, it is not to be used as disassembly or assembly instructions. Replacement of armature or field requires the replacement of brush mechanisms.

AMETEK/LAMB ELECTRIC DIVISION
627 LAKE STREET, KENT, OHIO 44240
TELEPHONE: (330) 673-3451; FAX: (330) 673-8994